

# 12" ALUMINUM LOW PROFILE

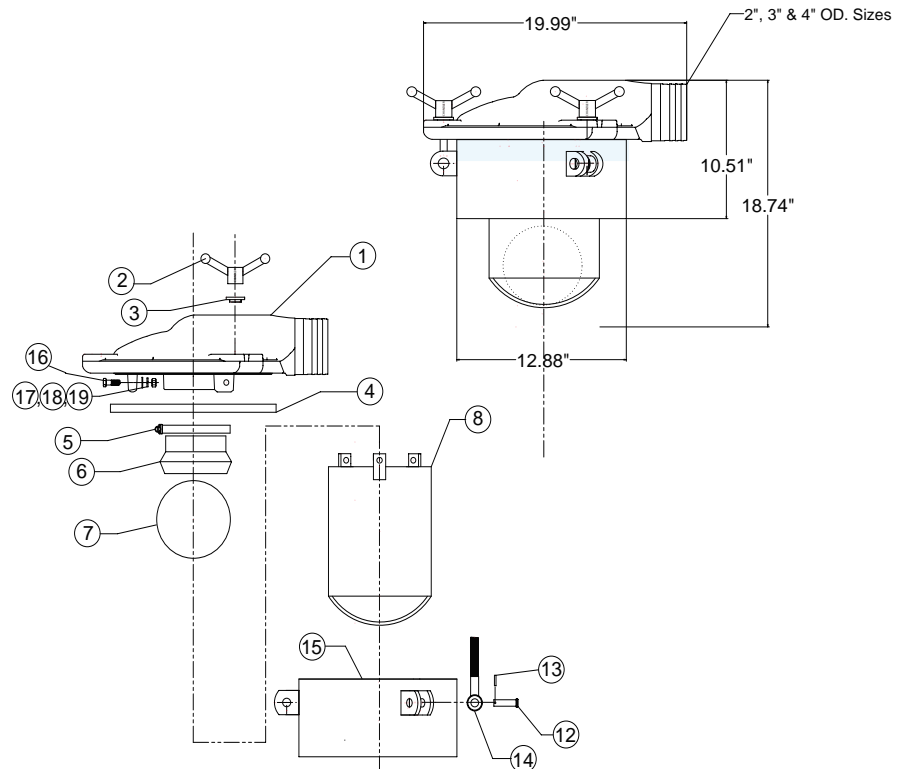
- POSITIVE SHUTOFF
- CAST ALUMINUM LID
- AVAILABLE WITH 2", 3", AND 4" HOSE CONNECTIONS
- EASY ACCESS FOR QUICK CLEAN OUT
- 6" STAINLESS STEEL BALL
- ALUMINUM, STAINLESS, OR STEEL NECK



PART#	DESCRIPTION	WEIGHT
1014-1910	12" ALUM. PRIMARY, 6" STEEL 1/4" NECK W/2" HOSE CONNECTION	40 LBS
1014-1907	12" ALUM. PRIMARY, 6" ALUM. 1/4" NECK TYPE 6061 W/2" HOSE CONNECTION	28 LBS
1014-1908	12" ALUM. PRIMARY, 6" S.S. 1/4" NECK TYPE 304 W/2" HOSE CONNECTION	40 LBS
1014-1916	12" ALUM. PRIMARY, 6" STEEL 1/4" NECK W/3" HOSE CONNECTION, (450 CFM)	40 LBS
1014-1913	12" ALUM. PRIMARY, 6" ALUM. 1/4" NECK TYPE 6061 W/3" HOSE CONNECTION, (450 CFM)	28 LBS
1014-1914	12" ALUM. PRIMARY, 6" S.S. 1/4" NECK TYPE 304 W/3" HOSE CONNECTION, (450 CFM)	40 LBS
1014-1921	12" ALUM. PRIMARY, 6" STEEL 1/4" NECK W/4" HOSE CONNECTION, (525 CFM)	40 LBS
1014-1918	12" ALUM. PRIMARY, 6" ALUM. 1/4" NECK TYPE 6061 W/4" HOSE CONNECTION, (525 CFM)	28 LBS
1014-1919	12" ALUM. PRIMARY, 6" S.S. 1/4" NECK TYPE 304 W/4" HOSE CONNECTION, (525 CFM)	40 LBS

## 12" ALUMINUM PRIMARY SPEC

#	PART#	DESCRIPTION
REPLACEMENT PARTS		
1	1014-1922	12" ALUM. PRIMARY (LID ONLY) 2"
1	1014-1923	12" ALUM. PRIMARY (LID ONLY) 3"
1	1014-1924	12" ALUM. PRIMARY (LID ONLY) 4"
2	1010-0001	5/8" WING NUT
3	1014-1930	5/8" ALUMINUM WASHER
4	1019-0009	12" HATCH GASKET (BASE TYPE)
5	1089-0002	HOSE CLAMP
6	1089-0001	4" RUB. SEAT FOR 4" SCH. 40 PIPE
7	1076-0000	6" STAINLESS STEEL FLOAT BALL
8	1014-1937	8 1/4" S.S. TYPE 304 BALL CAGE
12	1021-0000-P	ZINC PLATED CLEVIS PIN
13	1021-0000-R	5/32" X 1" ROLL PIN
14	1021-0000-B	5/8" EYEBOLT
15	1014-1926	12 3/4" ALUM. 6061 BASE ASSY. 6" NK.
15	1014-1928	12 3/4" S.S. TYPE 304 BASE ASSY. 6" NK.
15	1014-1927	12 7/8" STEEL BASE ASSY. 6" NK.
16	1000-1391	3/8"-16 X 1 1/2" SS CAP SCREW TYPE (304)
17	1000-1101	3/8" S.S. FLAT WASHER TYPE (304)
18	1000-1181	3/8" S.S. LOCK WASHER TYPE (304)
19	1000-1681	3/8"-16 S.S. HEX NUT TYPE (304)



SEE LIST OF OPTIONAL FITTINGS ON PAGE 38, 47 & 51.