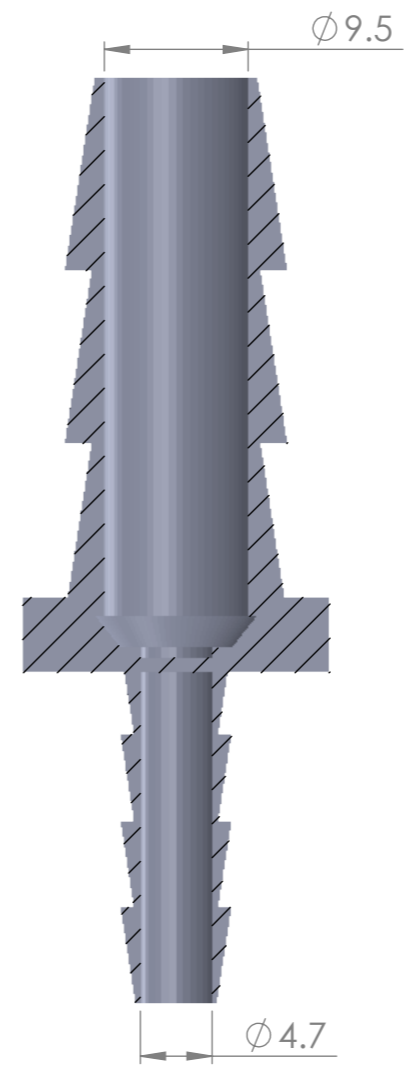
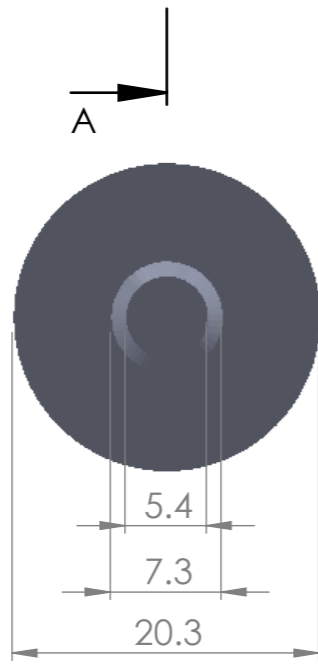
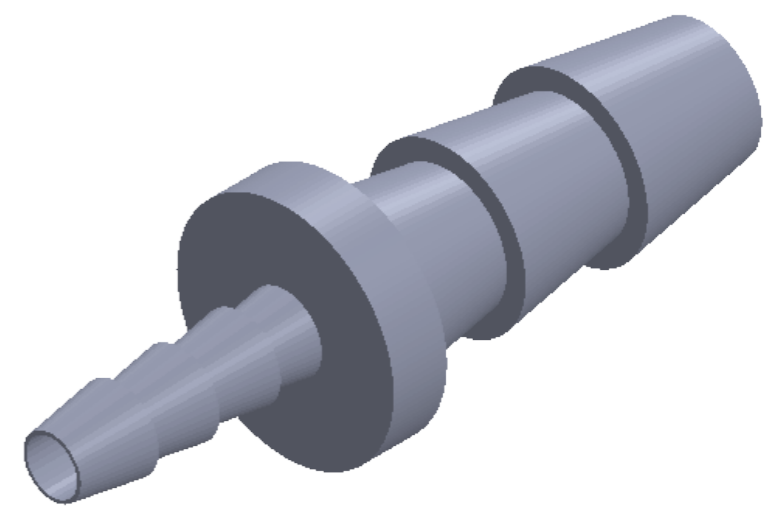


A



SECTION A-A



A

REVISION				
SYM	GRID SYSTEM	DESCRIPTION	DRAP	DATE

UNLESS OTHERWISE SPECIFIED: DIMENSIONS ARE IN MILLIMETERS SURFACE FINISH: A-3 / 0.05Ra (µm) TOLERANCES: X.XX ±0.35 X.X ±0.75 X, ±1.50 ANGULAR: ±0°30'		FINISH: <b>MANUAL SANDING &amp; DEBURRING</b>	DEBURR AND BREAK SHARP EDGES
NAME	SIGNATURE	DATE	
DRAWN BRYNMOR JOHN		26/04/19	
CHK'D			
APPV'D			
MFG			
Q.A			
MATERIAL: ABS		WEIGHT: N/A	

DO NOT SCALE DRAWING		REVISION : A
3RD ANGLE PROJ.	FIELD READY	
TITLE: <b>HOSE ADAPTER 0.5X1-0.25X1</b>		
DWG NO. <b>HL021</b>	A3	
SCALE: 2:1	SHEET 1 OF 1	