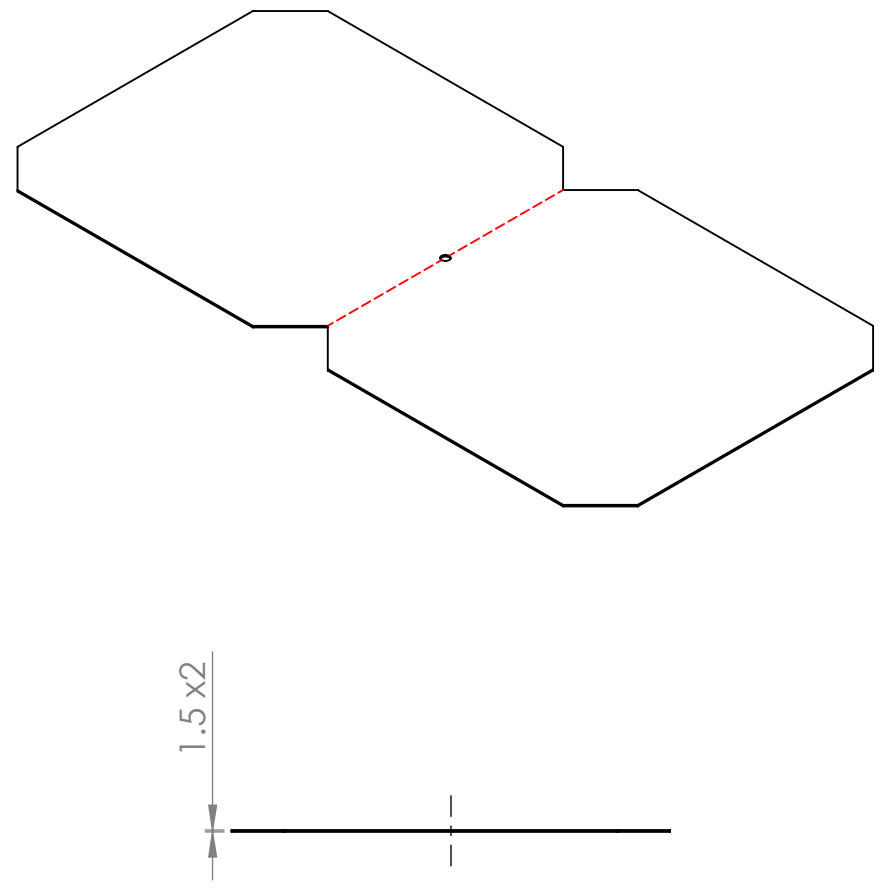
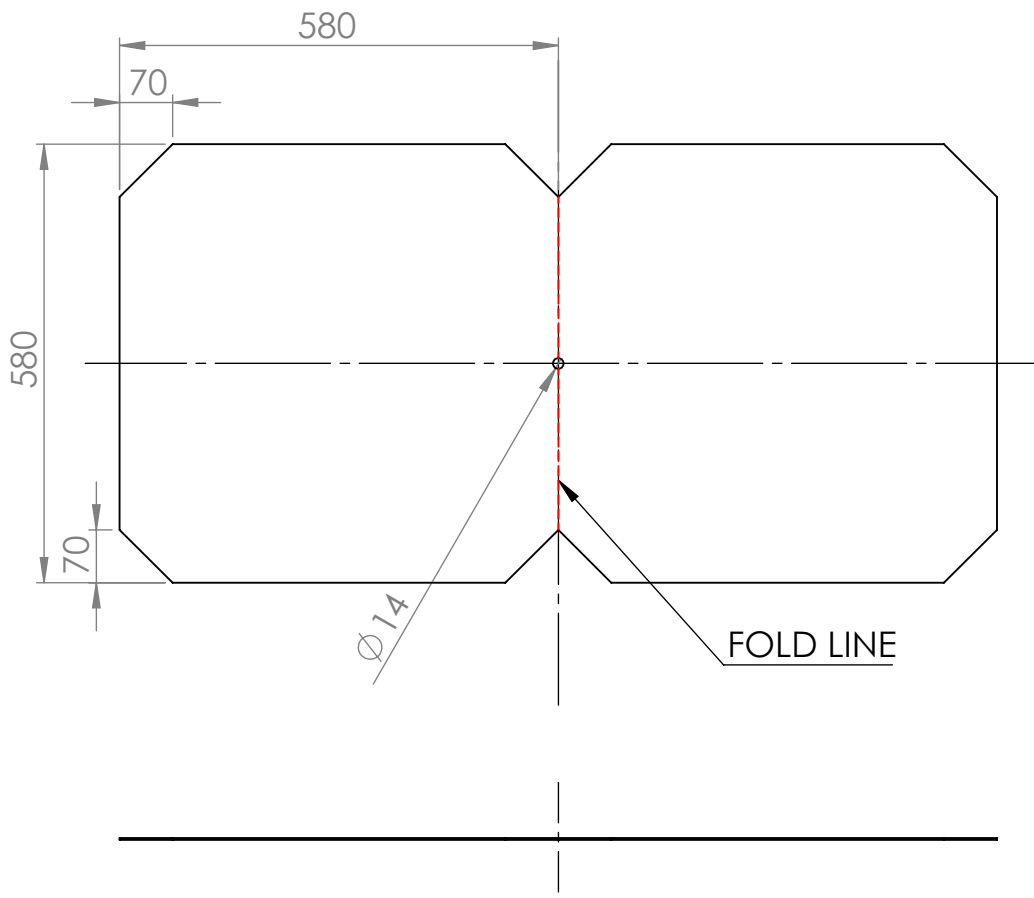


6 5 4 3 2 1


D
C
B
A

D
C
B
A



NOTE : TWO LAYERS MUST BE USED

Tolerance class		Division of basic dimension							
Designation	Description	0.5 to	Over 0.5	Over 1	Over 1.5	Over 2	Over 3	Over 5	Over 10
		up to 3	up to 6	up to 30	up to 120	up to 400	up to 1000	up to 2000	up to 4000
Permissible deviations									
f	fine	0.05	0.05	0.1	0.15	0.2	0.3	0.5	0.5
m	medium	0.1	0.1	0.2	0.3	0.5	0.5	1.2	2
c	coarse	0.2	0.3	0.5	0.8	1.2	2	3	4
v	very coarse	-	0.5	1	1.5	2.5	4	6	8

		FINISH:		N/A		N/A		DO NOT SCALE DRAWING		REVISION : A	
		UNLESS OTHERWISE SPECIFIED: DIMENSIONS ARE IN MILLIMETERS TOLERANCE CLASS: M (PLEASE SEE TOLERANCE TABLE)									
DRAWN		NAME		SIGNATURE		DATE		TITLE:			
		BAJ				02/03/18		<h1 style="text-align: center;">PROTECTIVE BAG</h1>			
CHK'D											
APPV'D								MATERIAL:		DWG NO.	
MFG								PU (SYNTHETIC LEATHER)		002	
Q.A								WEIGHT: N/A		SCALE - 1:10	
										SHEET 1 OF 1	

6 5 4 3 2 1

A

A