

6

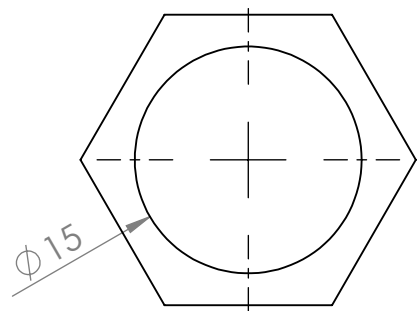
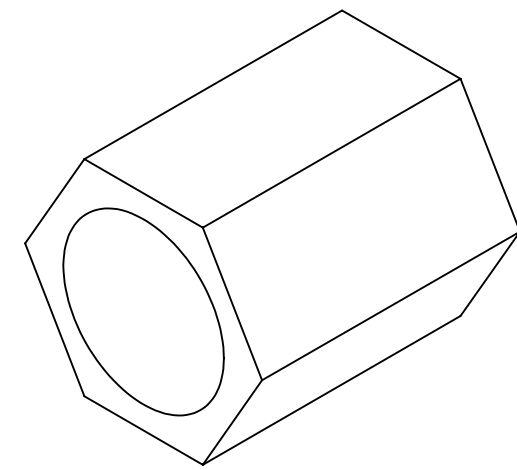
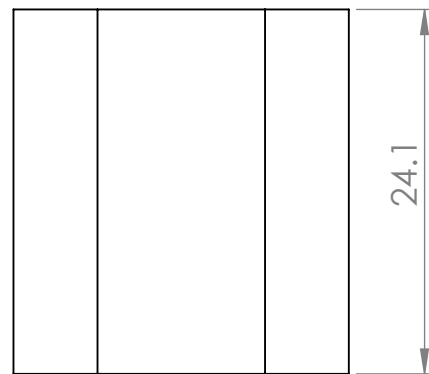
5

4

3


2

1



NOTE :  $\frac{3}{8}$ " BSP FEMALE CONNECTOR

| Tolerance class        |             | Division of basic dimension |          |          |           |           |            |            |            |
|------------------------|-------------|-----------------------------|----------|----------|-----------|-----------|------------|------------|------------|
| Designation            | Description | 0.5 to                      | Over 0.5 | Over 0.5 | Over 1.5  | Over 1.5  | Over 400   | Over 1000  | Over 2000  |
|                        |             | up to 3                     | up to 6  | up to 30 | up to 120 | up to 400 | up to 1000 | up to 2000 | up to 4000 |
| Permissible deviations |             |                             |          |          |           |           |            |            |            |
| f                      | fine        | 0.05                        | 0.05     | 0.1      | 0.15      | 0.2       | 0.3        | 0.5        | -          |
| m                      | medium      | 0.1                         | 0.1      | 0.2      | 0.3       | 0.5       | 0.8        | 1.2        | 2          |
| c                      | coarse      | 0.2                         | 0.3      | 0.5      | 0.8       | 1.2       | 2          | 3          | 4          |
| v                      | very coarse | -                           | 0.5      | 1        | 1.5       | 2.5       | 4          | 6          | 8          |

|  |  |   |  |           |  |          |  |  |  |              |  |
|--|--|---|--|-----------|--|----------|--|--|--|--------------|--|
|  |  | FINISH:   |  | N/A       |  | N/A      |  | DO NOT SCALE DRAWING   |  | REVISION : A |  |
|  |  | UNLESS OTHERWISE SPECIFIED:<br>DIMENSIONS ARE IN MILLIMETERS<br>TOLERANCE CLASS: M (PLEASE SEE TOLERANCE TABLE) |  |           |  |          |  |  |  |              |  |
| DRAWN  |  | NAME  |  | SIGNATURE |  | DATE     |  | <p>TITLE:</p> <h1 style="text-align: center;">REGULATOR CONNECTOR</h1> |  |              |  |
| CHK'D  |  | BAJ   |  |           |  | 15/08/18 |  |  |  |              |  |
| APPV'D   |  |   |  |           |  |          |  |  |  |              |  |
| MFG  |  |   |  |           |  |          |  |  |  |              |  |
| Q.A  |  |   |  |           |  |          |  | MATERIAL:  |  | DWG NO.      |  |
|  |  |   |  |           |  |          |  | BRASS  |  | 008          |  |
|  |  |   |  |           |  |          |  | WEIGHT: N/A  |  | SCALE - 2:1  |  |
|  |  |   |  |           |  |          |  |  |  | SHEET 1 OF 1 |  |

D

D

C

C

B

B

A

A

6

5

4

3

2

1