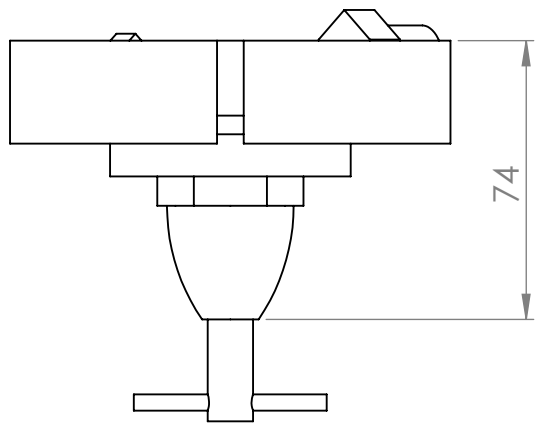


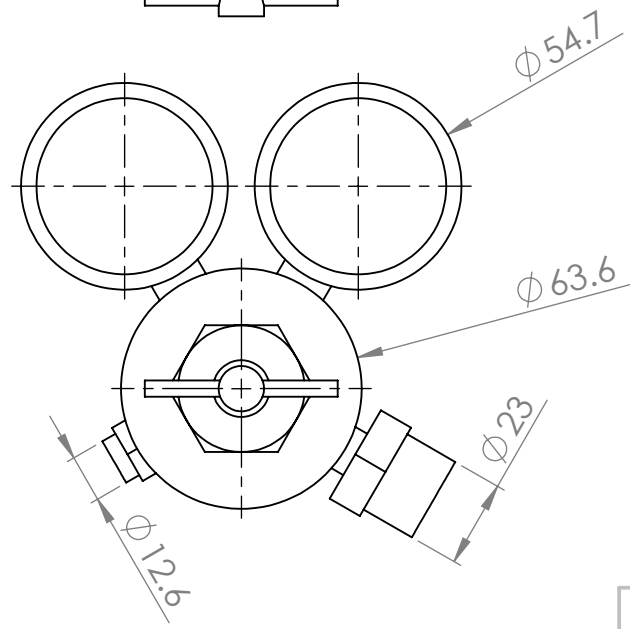
6 5 4 3 2 1

D



74

C



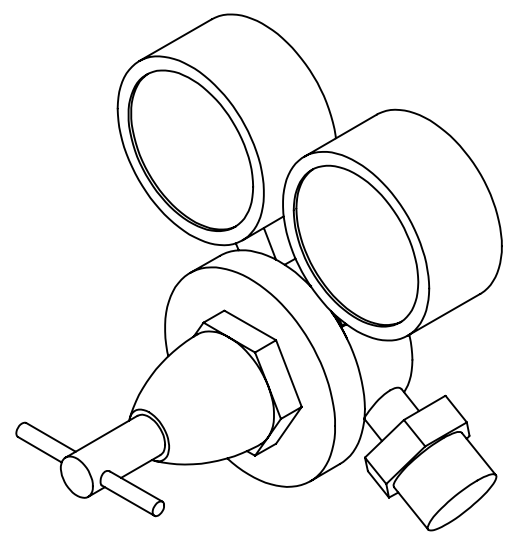
$\phi 54.7$

$\phi 63.6$

$\phi 12.6$

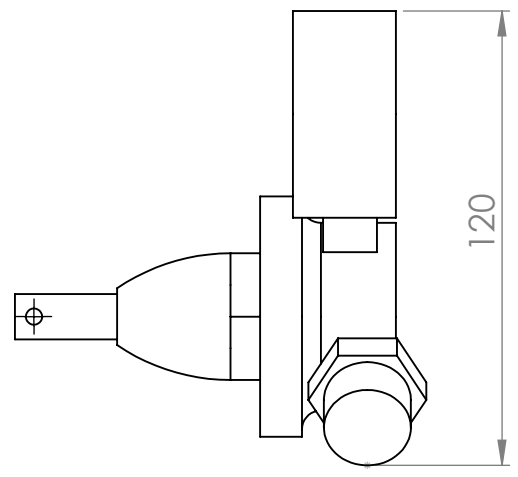
$\phi 23$

D



C

B




120

B

A

Tolerance class		Division of basic dimension							
Designation	Description	0.05 to	0.05 to	0.05 to	0.05 to	0.05 to	0.05 to	0.05 to	0.05 to
		up to 3	up to 6	up to 30	30 to 120	120 to 400	400 to 1000	1000 to 2000	2000 to 4000
f	fine	0.05	0.05	0.1	0.15	0.2	0.3	0.5	-
m	medium	0.1	0.1	0.2	0.3	0.5	0.8	1.2	2
c	coarse	0.2	0.3	0.5	0.8	1.2	2	3	4
v	very coarse	-	0.5	1	1.5	2.5	4	6	8

		FINISH:		N/A		N/A		DO NOT SCALE DRAWING		REVISION : A	
		UNLESS OTHERWISE SPECIFIED: DIMENSIONS ARE IN MILLIMETERS TOLERANCE CLASS: M (PLEASE SEE TOLERANCE TABLE)									
DRAWN		NAME		SIGNATURE		DATE		TITLE: <h1>REGULATOR</h1>			
CHK'D		BAJ				15/08/18					
APPV'D											
MFG											
Q.A								MATERIAL:		DWG NO.	
								MIXED		007	
								WEIGHT: N/A		SCALE - 1:2	
										SHEET 1 OF 1	

A

6 5 4 3 2 1