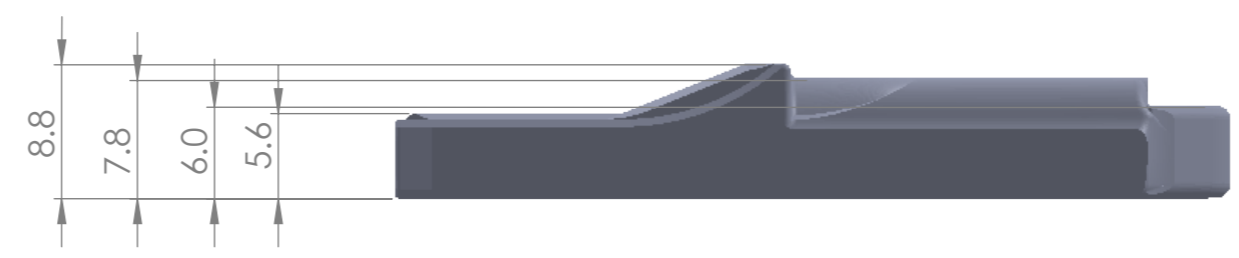
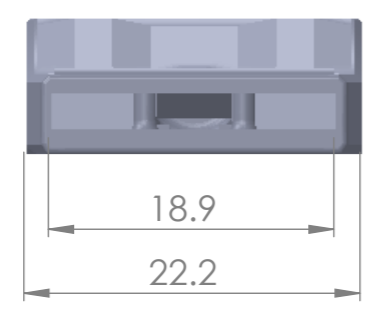
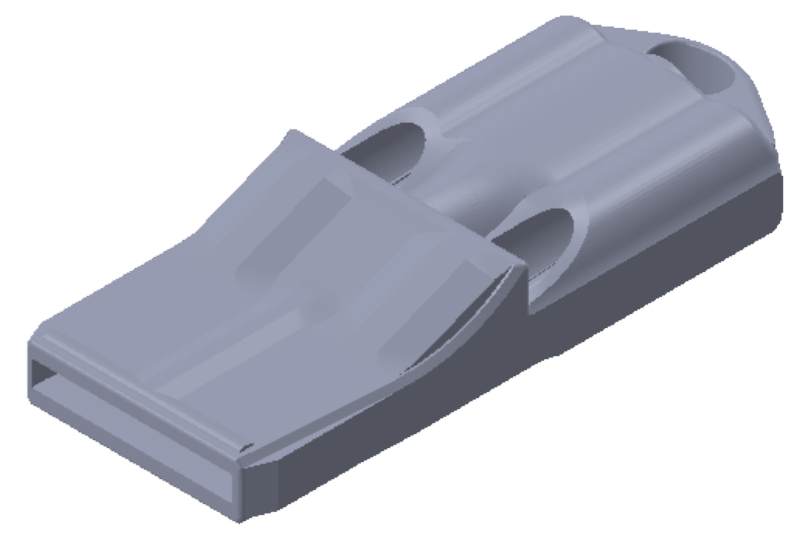
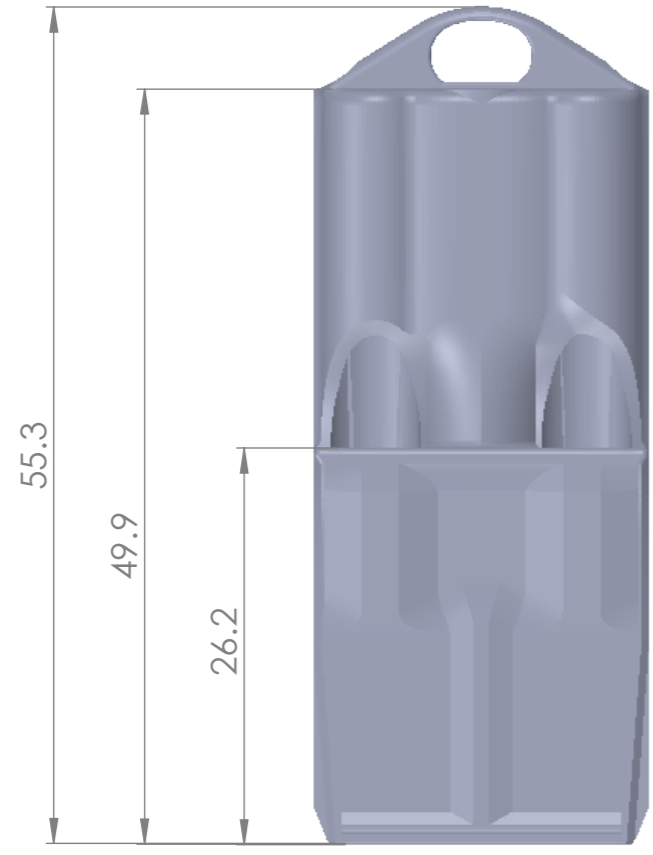


8 7 6 5 4 3 2 1

F  
E  
D  
C  
B  
A



REVISION				
SYM	GRID SYSTEM	DESCRIPTION	DR	DATE

UNLESS OTHERWISE SPECIFIED: DIMENSIONS ARE IN MILLIMETERS SURFACE FINISH: A-3 / 0.05Ra (µm) TOLERANCES: X.XX ±0.35 X.X ±0.75 X, ±1.50 ANGULAR: ±0°30'			FINISH: <b>MANUAL SANDING &amp; DEBURRING</b>		DEBURR AND BREAK SHARP EDGES
NAME	SIGNATURE	DATE			
DRAWN BRYNMOR JOHN		05/04/19			
CHK'D					
APPV'D					
MFG					
Q.A			MATERIAL:	ABS	
			WEIGHT: N/A		

DO NOT SCALE DRAWING      REVISION : A

3RD ANGLE PROJ.     

TITLE: **WHISTLE LARGE**

DWG NO. **PR002**      A3

SCALE:2:1      SHEET 1 OF 1

8 7 6 5 4 3 2 1