

High-Bay G3



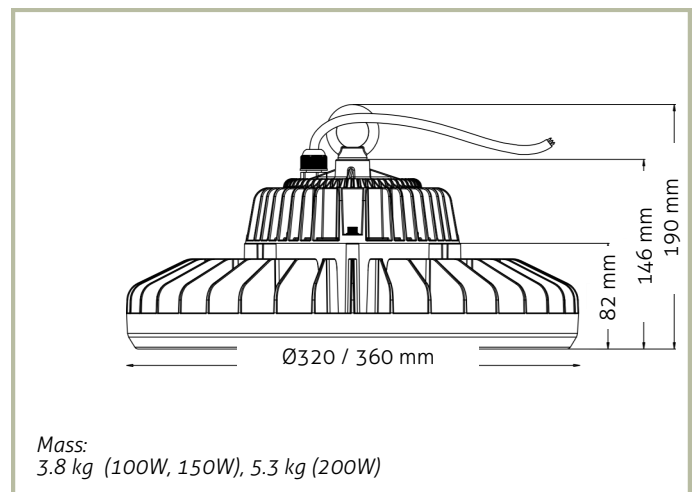
Ecopoint High-Bays offer an attractive mix of performance specifications, reliability and commercial competitiveness. Designed around an EMC 3030 LED package that can operate reliably at higher-than-normal temperatures and driver configurations using Japanese sourced electronic components that provide maximum protection for downstream components (built-in surge protection, internally isolated designs). Thermal performance is a high priority to minimise depreciation of flux over time. A smart programmable plug and play 12V motion sensor (Microwave or PIR versions) is available.

High-Bays are available in 100W, 150W and 200W models. Full Colour Spectrum, Food Safe and High Operating Temperatures Versions are also available.

Key applications: Industrial, Warehousing, Retail, Cold Storage, Sports Facilities etc.

GENERAL

Power Factor	Min. ≥ 0.95 , Typ. ≥ 0.98 (230V)
Electrical Input	100-277 V / 47-63 Hz
Dimming Options	1-10V & DALI (Opt)
Colour Temperatures	4000K (5000K optional)
Colour Rendering Index	Ra ≥ 80
Operating Temperatures	- 30 to 50 deg. C
Construction	Cast Aluminium body, Polycarbonate optic
Ingress Protection	IP65
Impact Protection	IK08
Warranty	5 years (7 years warranty available)



MODELS

Product Code	Description	Size	Power	Flux*
EHR320B100W840G3	High bay G3, 4000K 100W, 90/120° optic	320 (dia) x 190 mm	101 W	14,700 lm
EHR320B150W840G3	High bay G3, 4000K 150W, 90/120° optic	320 (dia) x 190 mm	151 W	22,000 lm
EHR360B200W840G3	High bay G3, 4000K 200W, 90/120° optic	360 (dia) x 190 mm	200 W	29,400 lm

Notes:

* Flux values shown here refer to 4000K CRI80 specification with 120° distribution.

ACCESSORIES



Built-in Low Voltage Motion Sensor



PC-Transparent Reflector (Anti-glare Cover is optional)

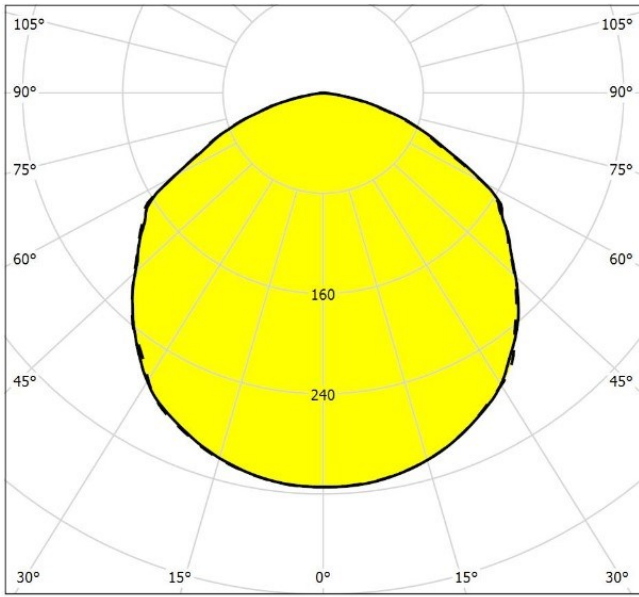


Microwave / PIR Motion Sensor

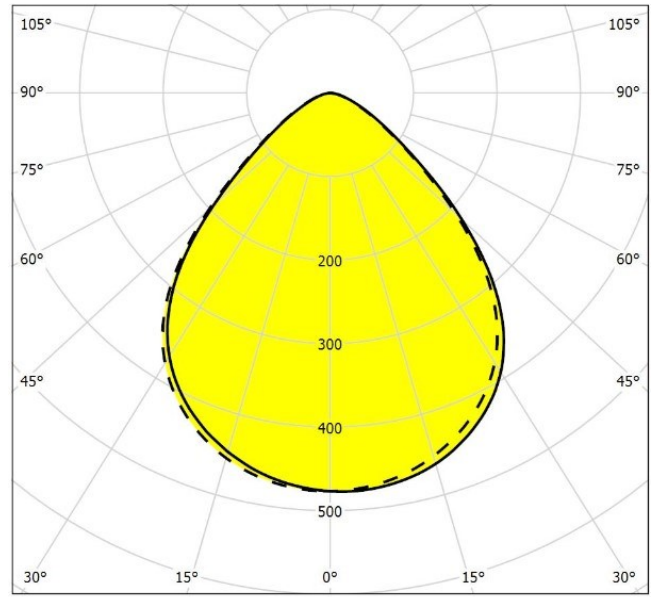


Remote Controller

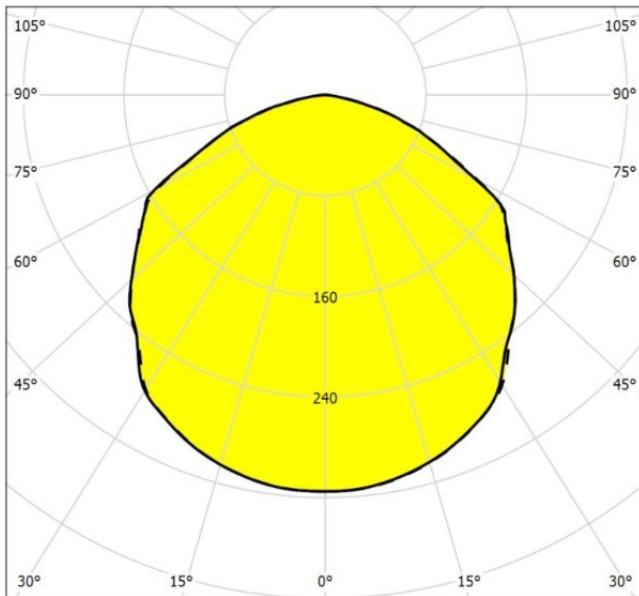
LIGHT DISTRIBUTION:



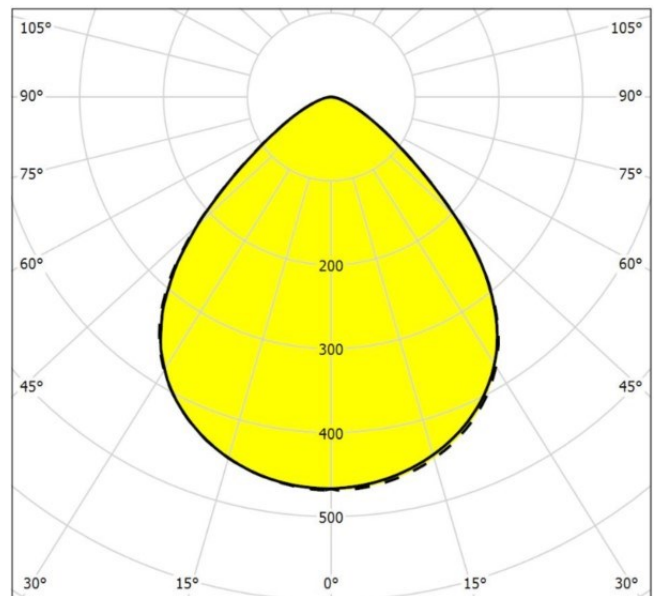
200W 120° Optic (Wide/Area distribution)



200W 90° Optic (Medium/Area distribution)



150W 120° Optic (Wide/Area distribution)



150W 90° Optic (Medium/Area distribution)

Note:

Polar curves shown here relate to 150W 4000K versions; however, distribution is indicative of the performance of all wattage variants.

LUMEN MAINTENANCE:

Model	L70	L80	L90	Ambient Temp.
High bay G3 (B10 basis)	-	125,000 hrs	59,000 hrs	35° C

Lumen maintenance values have been calculated using TM21 methods, based on LM80 data and ISTMT data while operating in the specified ambient conditions. LM80 data covers 6,000 hours, so predictions beyond 36,000 hours are outside of TM21 reporting guidelines, and are provided here for indicative purposes only.