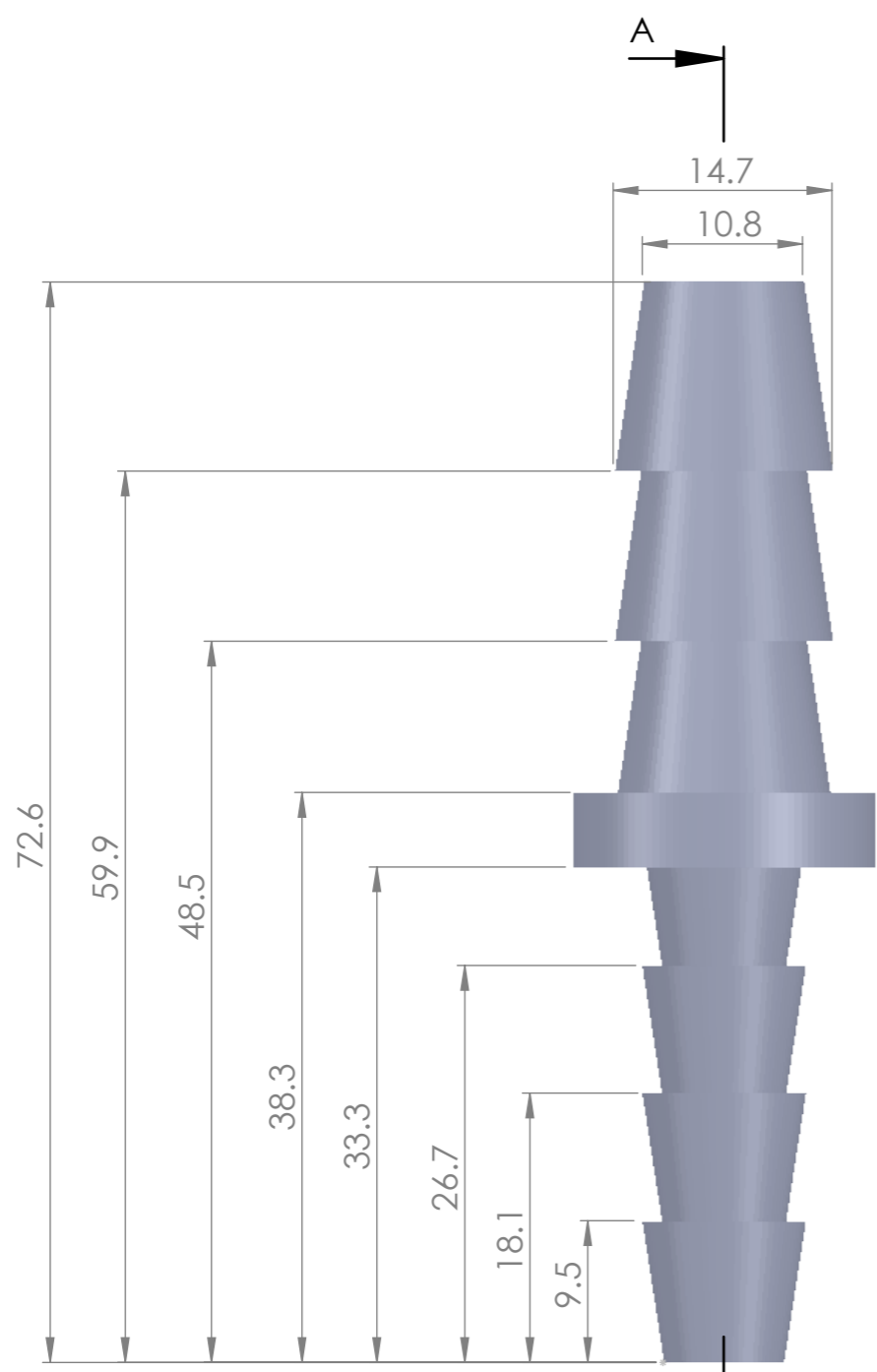
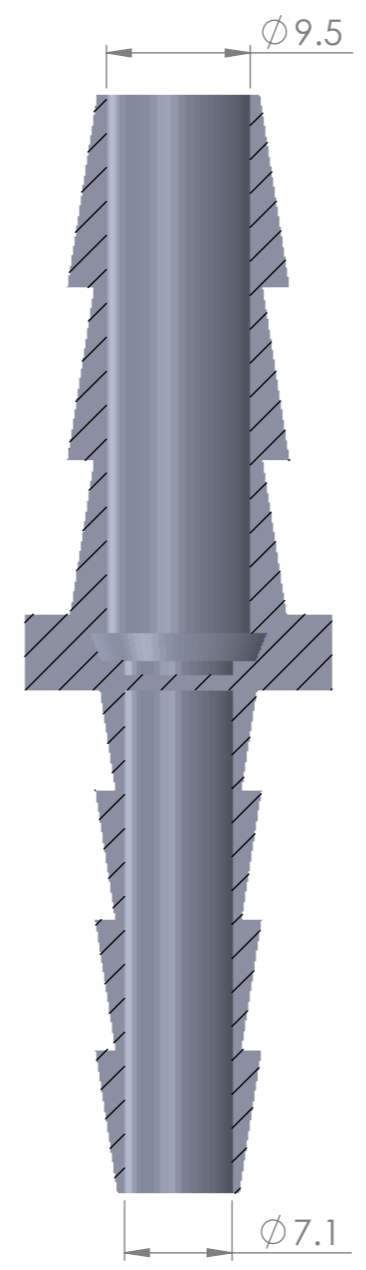


8 7 6 5 4 3 2 1

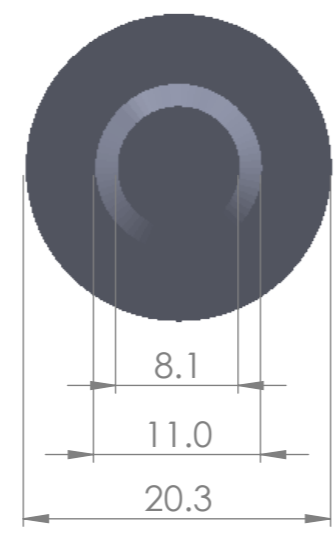
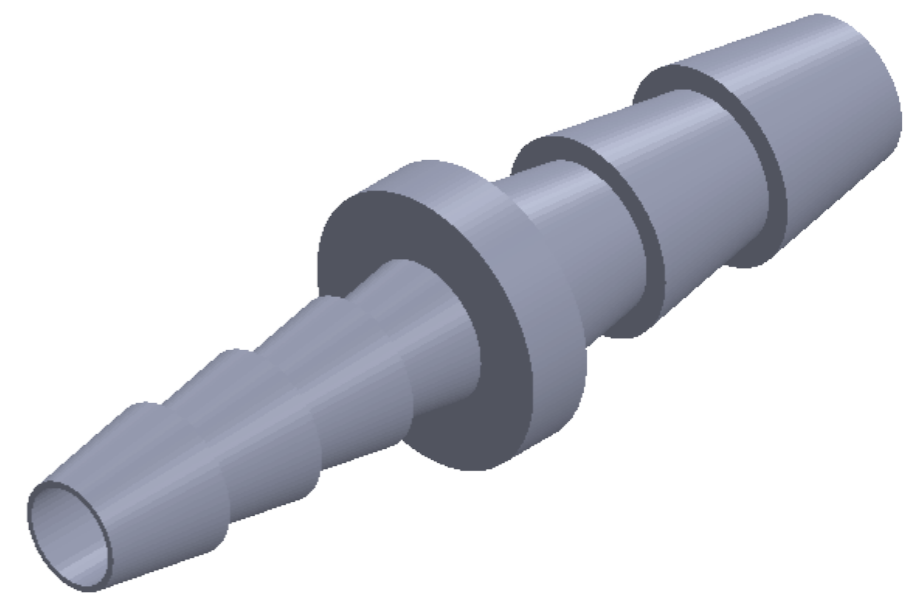
F
E
D
C
B
A



A



SECTION A-A



REVISION				
SYM	GRID SYSTEM	DESCRIPTION	DRAP	DATE

UNLESS OTHERWISE SPECIFIED: DIMENSIONS ARE IN MILLIMETERS SURFACE FINISH: A-3 / 0.05Ra (µm) TOLERANCES: X.XX ±0.35 X.X ±0.75 X, ±1.50 ANGULAR: ±0°30'			FINISH: MANUAL SANDING & DEBURRING		DEBURR AND BREAK SHARP EDGES
NAME	SIGNATURE	DATE			
DRAWN	BRYNMOR JOHN	26/04/19			
CHK'D					
APPV'D					
MFG					
Q.A			MATERIAL:	ABS	
			WEIGHT: N/A		

DO NOT SCALE DRAWING REVISION : A

3RD ANGLE PROJ.

TITLE: **HOSE ADAPTER
0.5X1-0.375X1**

DWG NO. **HL021** A3

SCALE: 2:1 SHEET 1 OF 1

8 7 6 5 4 3 2 1