

# 12" Low Profile | Primary Shutoff Aluminium Lid

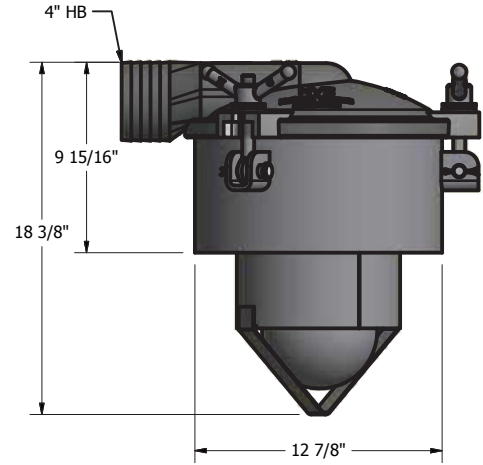


## Features:

- 4" Buna Ball Seat
- Low Profile Design
- Wingnut Closure
- 5/8" Square Buna Gasket
- 6" or 8" Stainless Float Ball
- 3" or 4" Hose Barb Connection
- Aluminum Lid [CAST IN THE USA]
- 8" or 10" Corrosion Resistant Stainless Steel Ball Cage
- Weldable neck available in Carbon, Stainless Steel, and Aluminum



Available with Lube Nuts



## 12" Low Profile Primary Shutoff

PART NUMBER	DESCRIPTION	WEIGHT
200-1206-3HB	PSO 12" X 6" CARBON BASE, ALU LID 3" HB	47 lbs
200-1206-4HB-10	POS 12" X 6" CARBON BASE, ALU LID 4" HB, 10" CAGE	49 lbs
204-1206-3HB	PSO 12" X 6" ALU BASE, ALU LID 3" HB	32 lbs
204-1206-4HB-10	PSO 12" X 6" ALU BASE, ALU LID 4" HB, 10" CAGE	41 lbs
208-1206-3HB	POS 12" X 6" SS BASE ALU LID 3" HB	45 lbs
208-1206-4HB-10	PSO 12" X 6" ALU BASE, ALU LID 4" HB, 10" CAGE	47 lbs

## 12" Low Profile Primary Shutoff | Replacement Parts

ITEM	PART NUMBER	DESCRIPTION
1	226-120-ALU-4HB	LID 12" CAST ALU W/4" HOSE BARB
1	226-120-ALU-3HB	LID 12" CAST ALU W/3" HOSE BARB
2	286-706-12L	GASKET 12" LID AND NECK BUNA
4	228-1206-C	NECK 12" X 6" CARBON
4	228-1206-1A	NECK 12" X 6" ALU
4	228-1206-S	NECK 12" X 6" SS
6	280-875-AFW	WASHER FLAT ALU 7/8" DIA
7	282-800-1S	BALL CAGE 8" 304 SS
7	282-100-1S	BALL CAGE 10" 304 SS
9	280-704-S	COTTER PIN .125" X 1.5" SS
7.1	740-103-S1	BOLT TAB ADAPTER
12	284-KIT-C	WINGNUT ASSY: WINGNUT EYEBOLT CLEVIS COTTER PIN
12	284-KIT-S	WINGNUT ASSY SS 304: WINGNUT EYEBOLT CLEVIS COTTER PIN
12	284-KIT-CLN	LUBENUT ASSY: LUBENUT EYEBOLT CLEVIS COTTER PIN
15	414-600-SS	FLOAT BALL 6" 304 SS
15	414-800-SS	FLOAT BALL 8" 304 SS
16	416-400-1WC	CLAMP WORM 4" BALL SEATS
17	416-400-B	BALL SEAT 4" BUNA
301		HHCS 3/8" UNC 1" LG SS
302		LOCKWASHER 3/8" SS
303		HEX NUT 3/8" SS

