

LED Long Bay G2



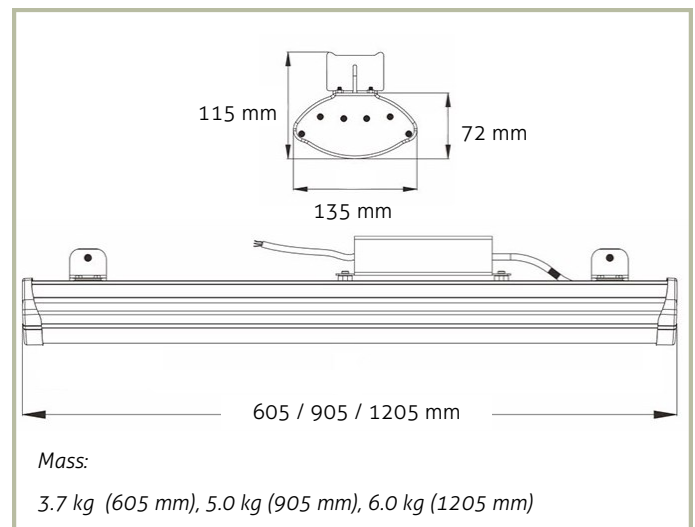
Ecopoint's LED Long Bays are high output luminaires with a comfortable diffused appearance. It has particular appeal in applications where wide distribution is required to ensure activity areas and walls are comfortably lit while still concealing the intense brightness often present when LED arrays are directly visible. This second-generation product leverages Lumileds LED chips and long-life drivers designed specifically for this luminaire to reach new levels of efficiency and reliability.

Key applications: Large-format Retail, Sports Facilities etc.

GENERAL SPECIFICATIONS:

Power Factor	≥ 0.95 (230V)
Electrical Input	100-277 V / 50-60 Hz
Dimming Options	1-10V & DALI options
Colour Temperatures	4000K (3000K, 5000K, 6000K opt.)
Colour Rendering Index	Ra ≥ 80
Operating Temperatures	- 30 to 50 deg. C
Construction	Ext. aluminium body, PC diffuser
Ingress Protection	IP65
Impact Protection	IK10
Warranty	5 years

DIMENSIONS:



STANDARD MODELS

Product Code	Description	Size	Power	Flux*
ELO600S60W840G2	Long bay G2, 600mm, 60W, 4000K, Frosted diffuser	605 x 135 x 115 mm	61 W	8,100 lm
ELO600S100W840G2	Long bay G2, 600mm, 100W, 4000K, Frosted diffuser	605 x 135 x 115 mm	102 W	13,400 lm
ELO900S150W840G2	Long bay G2, 900mm, 150W, 4000K, Frosted diffuser	905 x 135 x 115 mm	151 W	18,400 lm
ELO1200S180W840G2	Long bay G2, 1200mm, 180W, 4000K, Frosted diffuser	1205 x 135 x 115 mm	182 W	22,700 lm

Notes:

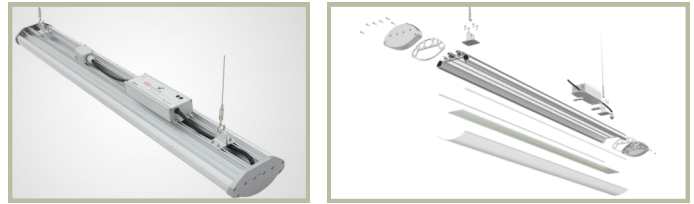
* All flux values shown here refer to 4000K specification.

** Project-based solutions are available from this product family, which include...

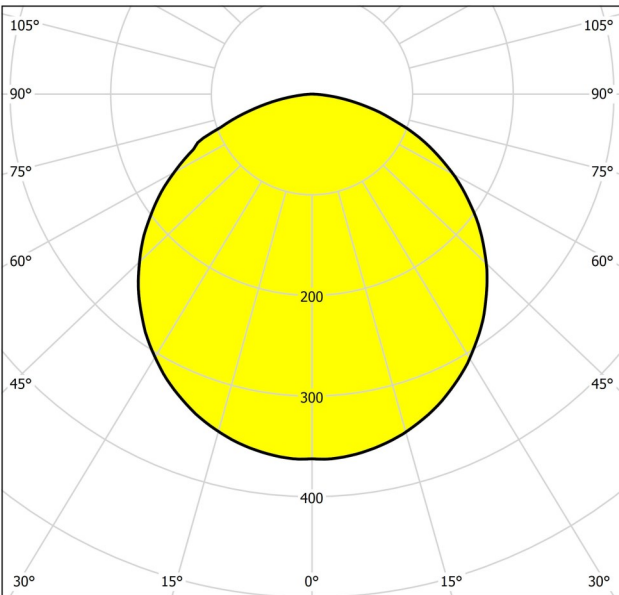
- High-output versions (140 to 150 lm/W)
- Versions with clear diffusers (typically 5-7% additional flux)

ACCESSORIES

Accessory	Description
Suspension kit	Pair of luminaire brackets and stainless steel cables for suspended mounting (included as standard)
Weatherproof connector & flex	IP65-rated connector and 2 m flex cable (included as standard)



LIGHT DISTRIBUTION:



cd/klm

Long bay 150W

Note:

Polar curves shown here relate to 150W 4000K version; however, distribution is indicative of the performance of all colour temperature and wattage variants.

LUMEN MAINTENANCE:

Model	L70	L80	L90	Ambient Temp.
Long Bay G2 150W (B10 basis)	-	125,000 hrs	59,000 hrs	35° C
Long Bay G2 200W (B10 basis)	-	125,000 hrs	59,000 hrs	35° C

Lumen maintenance values have been calculated using TM21 methods, based on LM80 data and ISTMT data while operating in the specified ambient conditions. LM80 data covers 6,000 hours, so predictions beyond 36,000 hours are outside of TM21 reporting guidelines, and are provided here for indicative purposes only.