
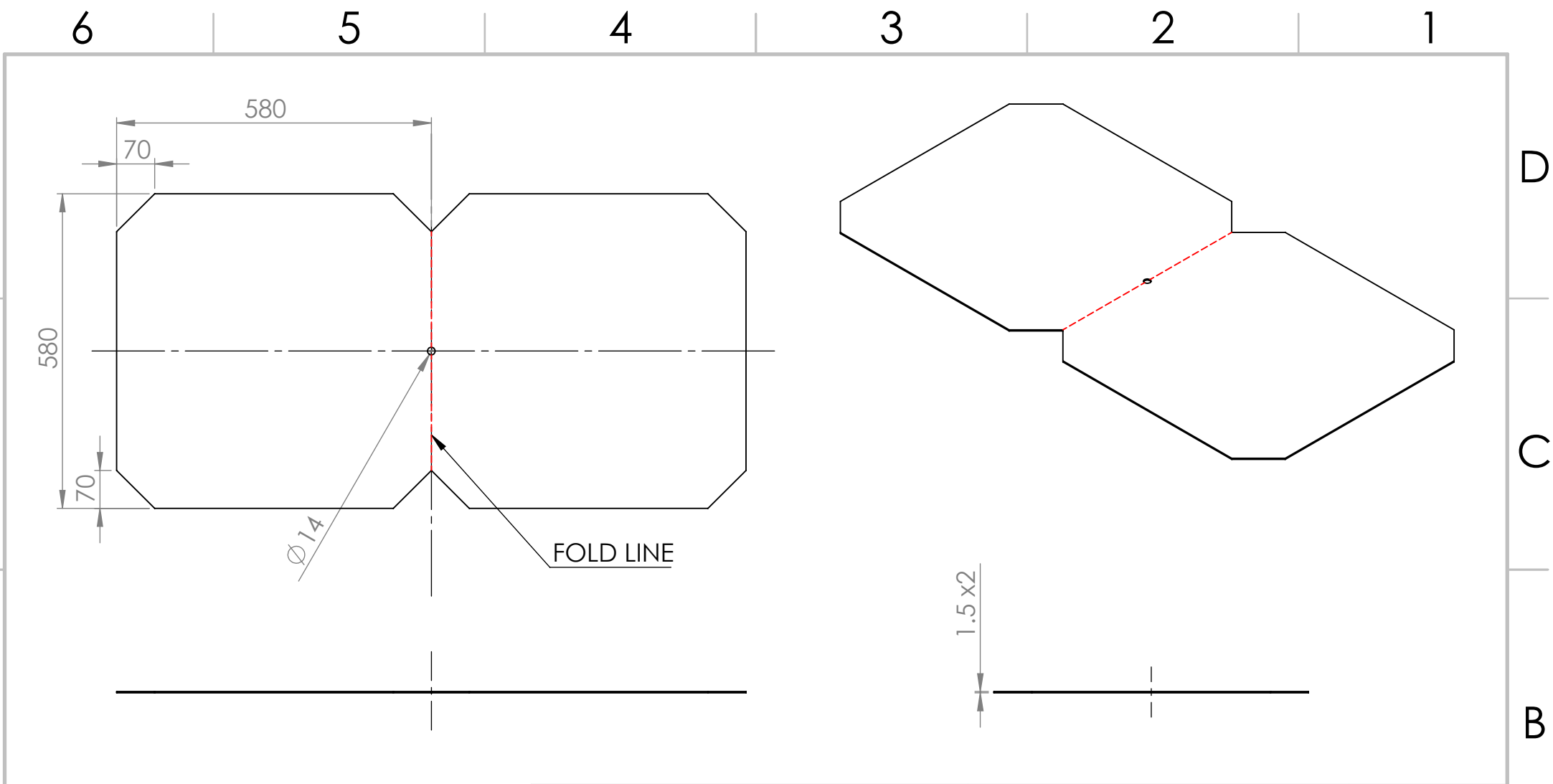


Tolerance class		Division of basic dimension							
Designation	Description	0.5 to up to 3	0.5 to 6 up to 6	0.5 to 30 up to 30	0.5 to 120 up to 120	0.5 to 400 up to 400	0.5 to 1000 up to 1000	0.5 to 2000 up to 2000	0.5 to 4000 up to 4000
		Permissible deviations							
f	fine	0.05	0.05	0.1	0.15	0.2	0.3	0.5	0.5
m	medium	0.1	0.1	0.2	0.3	0.5	0.5	1.2	2
c	coarse	0.2	0.3	0.5	0.8	1.2	2	3	4
v	very coarse	-	0.5	1	1.5	2.5	4	6	8

		FINISH:		N/A		N/A		DO NOT SCALE DRAWING		REVISION : A	
		UNLESS OTHERWISE SPECIFIED: DIMENSIONS ARE IN MILLIMETERS TOLERANCE CLASS: M (PLEASE SEE TOLERANCE TABLE)									
DRAWN		NAME		SIGNATURE		DATE		TITLE:			
		BAJ				02/03/18		AIRBAG			
CHK'D											
APPV'D								DWG NO.			
MFG											
Q.A								001			
						MATERIAL:		A4			
						1.2MM PVC COATED PE					
						WEIGHT: N/A		SCALE - 1:10			
								SHEET 1 OF 1			


A

A



NOTE : TWO LAYERS MUST BE USED

Tolerance class		Division of basic dimension								
Designation	Description	0.5 to	Over 0.5	Over 1	Over 1.5	Over 2	Over 3	Over 4	Over 6	Over 10
		up to 3	up to 6	up to 30	up to 120	up to 400	up to 1000	up to 2000	up to 4000	up to 10000
Permissible deviations										
f	fine	0.05	0.05	0.1	0.15	0.2	0.3	0.5	0.5	-
m	medium	0.1	0.1	0.2	0.3	0.5	0.5	1.2	1.2	2
c	coarse	0.2	0.3	0.5	0.8	1.2	2	3	3	4
v	very coarse	-	0.5	1	1.5	2.5	4	6	6	8

		FINISH:		N/A		N/A		DO NOT SCALE DRAWING		REVISION : A	
		UNLESS OTHERWISE SPECIFIED: DIMENSIONS ARE IN MILLIMETERS TOLERANCE CLASS: M (PLEASE SEE TOLERANCE TABLE)									
DRAWN		NAME		SIGNATURE		DATE		TITLE:			
		BAJ				02/03/18		<h1 style="text-align: center;">PROTECTIVE BAG</h1>			
CHK'D											
APPV'D											
MFG											
Q.A								MATERIAL:		DWG NO.	
								PU (SYNTHETIC LEATHER)		002	
								WEIGHT: N/A		SCALE - 1:10	
										SHEET 1 OF 1	

A4

6

5

4

3

2

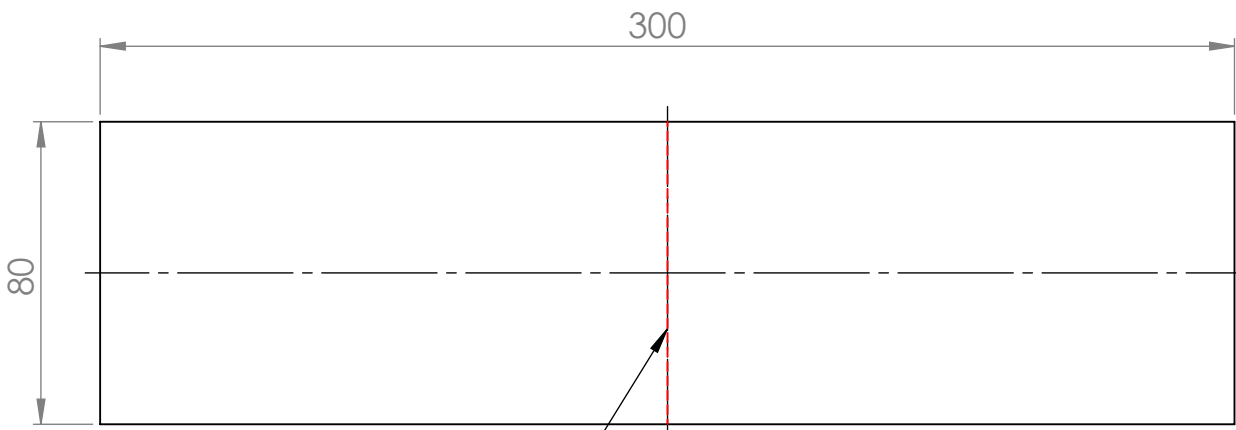
1

D

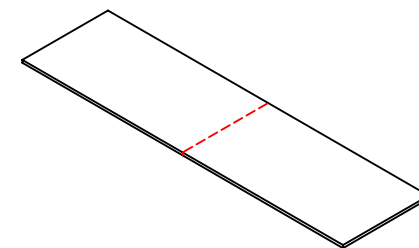
C

B


A



FOLD LINE



Tolerance class		Division of basic dimension							
Designation	Description	0.5 to	Over 0.5	Over 1	Over 1.5	Over 2	Over 3	Over 5	Over 10
		up to 3	up to 6	up to 30	up to 120	up to 400	up to 1000	up to 2000	up to 4000
Permissible deviations									
f	fine	0.05	0.05	0.1	0.15	0.2	0.3	0.5	-
m	medium	0.1	0.1	0.2	0.3	0.5	0.8	1.2	2
c	coarse	0.2	0.3	0.5	0.8	1.2	2	3	4
v	very coarse	-	0.5	1	1.5	2.5	4	6	8

		FINISH:		N/A		N/A		DO NOT SCALE DRAWING		REVISION : A	
		UNLESS OTHERWISE SPECIFIED: DIMENSIONS ARE IN MILLIMETERS TOLERANCE CLASS: M (PLEASE SEE TOLERANCE TABLE)									
DRAWN		NAME		SIGNATURE		DATE		<b>TITLE:</b> <h1 style="text-align: center;">PROTECTIVE BAG HANDLE</h1>			
CHK'D		BAJ				02/03/18					
APPV'D											
MFG											
Q.A								MATERIAL:		DWG NO.	
								PU (SYNTHETIC LEATHER)		003	
								WEIGHT: N/A		SCALE - 1:2	
										SHEET 1 OF 1	

6

5

4

3

2

1

6

5

4

3

2

1

D

D

C

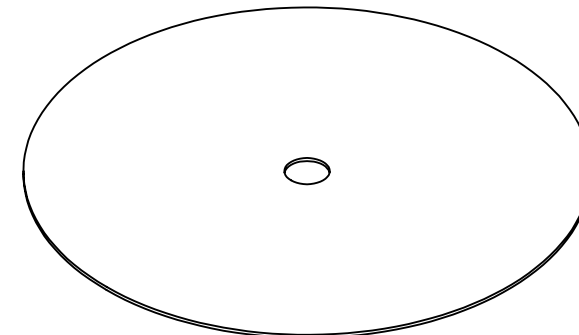
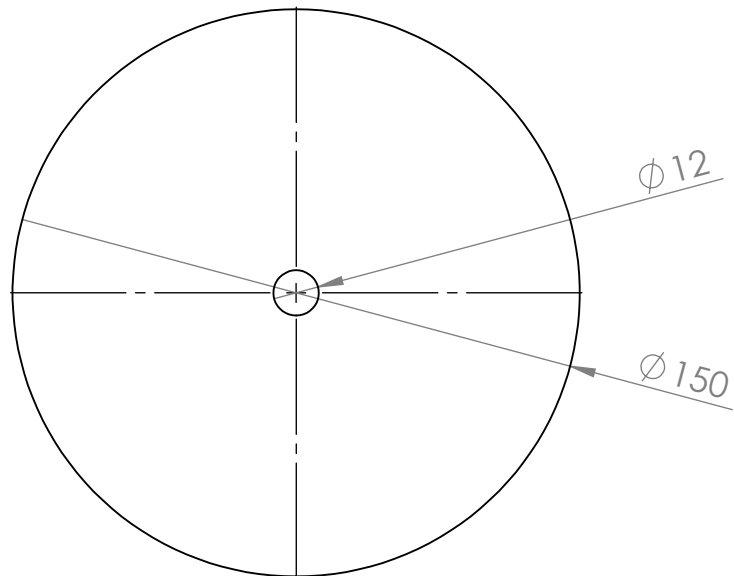
C

B

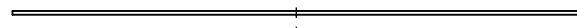
B

A


A



1.5



Tolerance class		Division of basic dimension							
Designation	Description	0.5 to	0.5 to	0.5 to	0.5 to	0.5 to	0.5 to	0.5 to	0.5 to
		up to 3	up to 6	up to 30	30 to 120	120 to 400	400 to 1000	1000 to 2000	2000 to 4000
f	fine	0.05	0.05	0.1	0.15	0.2	0.3	0.5	-
m	medium	0.1	0.1	0.2	0.3	0.5	0.8	1.2	2
c	coarse	0.2	0.3	0.5	0.8	1.2	2	3	4
v	very coarse	-	0.5	1	1.5	2.5	4	6	8

		FINISH:		N/A		N/A		DO NOT SCALE DRAWING		REVISION : A	
		UNLESS OTHERWISE SPECIFIED: DIMENSIONS ARE IN MILLIMETERS TOLERANCE CLASS: M (PLEASE SEE TOLERANCE TABLE)									
DRAWN		NAME		SIGNATURE		DATE		TITLE:			
		BAJ				02/03/18		GASKET			
CHK'D											
APPV'D											
MFG											
Q.A								MATERIAL:		DWG NO.	
								1.5MM PVC		004	
								WEIGHT: N/A		SCALE - 1:2	
										SHEET 1 OF 1	

6

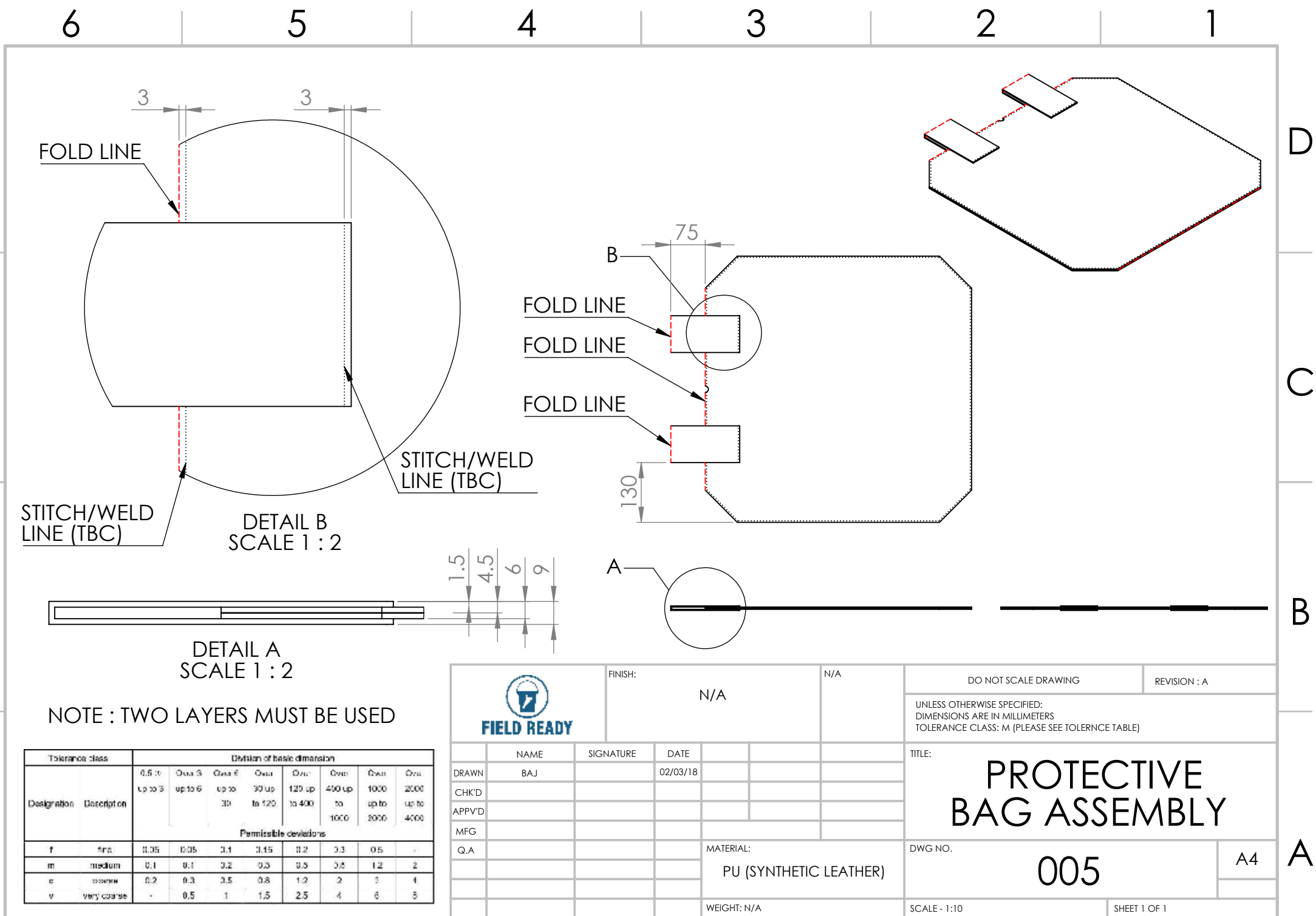
5

4

3

2

1



STITCH/WELD LINE (TBC)


DETAIL B  
SCALE 1 : 2

STITCH/WELD LINE (TBC)

DETAIL A  
SCALE 1 : 2

NOTE : TWO LAYERS MUST BE USED

Tolerance class		Division of basic dimension							
Designation	Description	0.5 to up to 3	Over 3 up to 6	Over 6 up to 30	Over 30 up to 120	Over 120 up to 400	Over 400 up to 1000	Over 1000 up to 2000	Over 2000 up to 4000
		Permissible deviations							
f	fine	0.05	0.05	0.1	0.15	0.2	0.3	0.5	-
m	medium	0.1	0.1	0.2	0.3	0.5	0.8	1.2	2
c	coarse	0.2	0.3	0.5	0.8	1.2	2	3	4
v	very coarse	-	0.5	1	1.5	2.5	4	6	8

		FINISH:		N/A		N/A		DO NOT SCALE DRAWING		REVISION : A	
		UNLESS OTHERWISE SPECIFIED: DIMENSIONS ARE IN MILLIMETERS TOLERANCE CLASS: M (PLEASE SEE TOLERANCE TABLE)									
DRAWN		NAME		SIGNATURE		DATE		TITLE:			
		BAJ				02/03/18		<h1>PROTECTIVE BAG ASSEMBLY</h1>			
CHK'D											
APPV'D								DWG NO. <span style="font-size: 2em; font-weight: bold;">005</span> <span style="float: right;">A4</span>			
MFG											
Q.A								MATERIAL: <span style="font-size: 1.2em;">PU (SYNTHETIC LEATHER)</span>			
								SCALE : 1:10 <span style="float: right;">SHEET 1 OF 1</span>			
								WEIGHT: N/A			

6

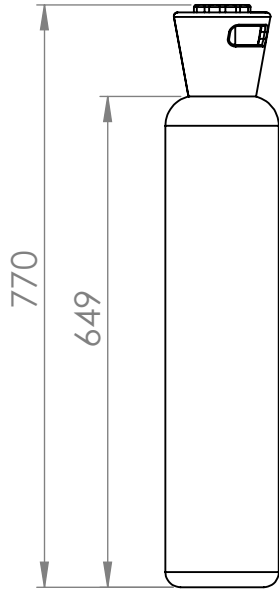
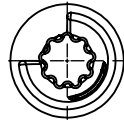
5

4

3

2

1



D

D

C

C


B

B

A

A

Tolerance class		Division of basic dimension								
Designation	Description	0.5 to	Over 3	Over 6	Over 30	Over 120	Over 400	Over 1000	Over 2000	Over 4000
		up to 3	up to 6	up to 30	up to 120	up to 400	up to 1000	up to 2000	up to 4000	
Permissible deviations										
f	fine	0.05	0.05	0.1	0.15	0.2	0.3	0.5	-	-
m	medium	0.1	0.1	0.2	0.3	0.5	0.8	1.2	2	3
c	coarse	0.2	0.3	0.5	0.8	1.2	2	3	5	8
v	very coarse	-	0.5	1	1.5	2.5	4	6	10	15

		FINISH:		N/A		N/A		DO NOT SCALE DRAWING		REVISION : A	
		UNLESS OTHERWISE SPECIFIED: DIMENSIONS ARE IN MILLIMETERS TOLERANCE CLASS: M (PLEASE SEE TOLERANCE TABLE)									
DRAWN		NAME		SIGNATURE		DATE		TITLE:			
		BAJ				15/08/18		AIR CYLINDER			
CHK'D											
APPV'D											
MFG											
Q.A								MATERIAL:		DWG NO.	
								MIXED		006	
								WEIGHT: N/A		SCALE - 1:9	
										SHEET 1 OF 1	

6

5

4

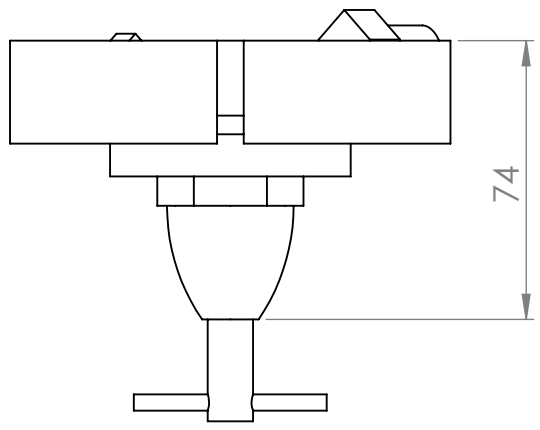
3

2

1

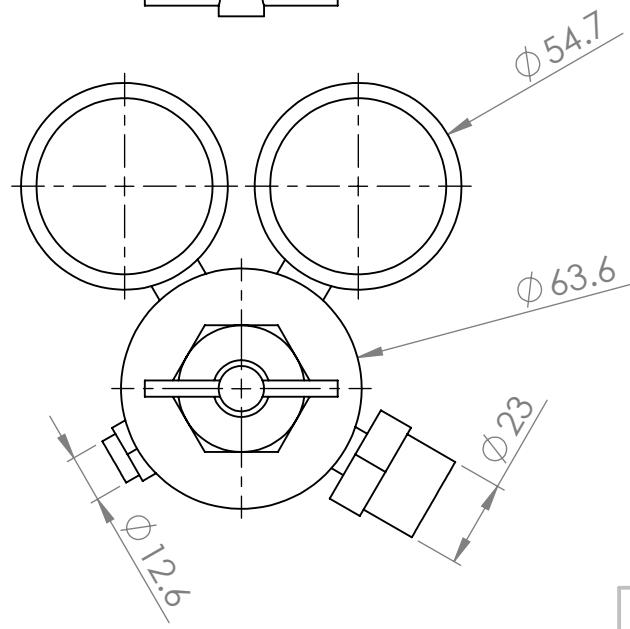
6 5 4 3 2 1

D



74

C



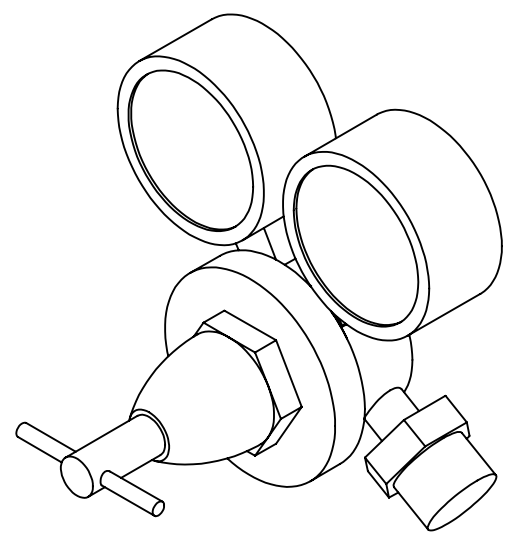
$\phi 54.7$

$\phi 63.6$

$\phi 12.6$

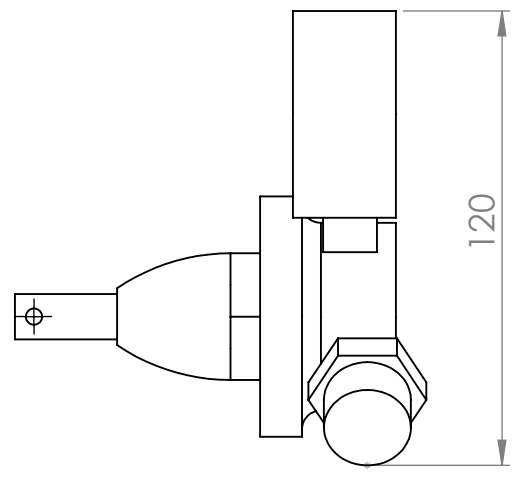
$\phi 23$

D



C

B




120

B

A

Tolerance class		Division of basic dimension							
Designation	Description	0.05 to	0.05 to	0.05 to	0.05 to	0.05 to	0.05 to	0.05 to	0.05 to
		up to 3	up to 6	up to 30	up to 120	up to 400	up to 1000	up to 2000	up to 4000
f	fine	0.05	0.05	0.1	0.15	0.2	0.3	0.5	-
m	medium	0.1	0.1	0.2	0.3	0.5	0.8	1.2	2
c	coarse	0.2	0.3	0.5	0.8	1.2	2	3	4
v	very coarse	-	0.5	1	1.5	2.5	4	6	8

		FINISH:		N/A		N/A		DO NOT SCALE DRAWING		REVISION : A	
		UNLESS OTHERWISE SPECIFIED: DIMENSIONS ARE IN MILLIMETERS TOLERANCE CLASS: M (PLEASE SEE TOLERANCE TABLE)									
DRAWN		NAME		SIGNATURE		DATE		TITLE:			
		BAJ				15/08/18		REGULATOR			
CHK'D											
APPV'D											
MFG											
Q.A								MATERIAL:		DWG NO.	
								MIXED		007	
								WEIGHT: N/A		SCALE - 1:2	
										SHEET 1 OF 1	

A

6 5 4 3 2 1

6

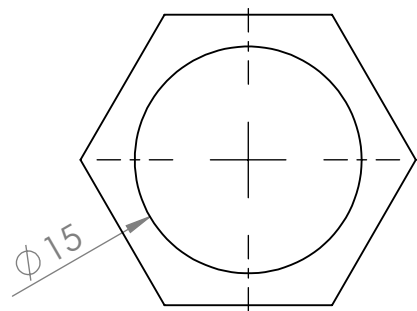
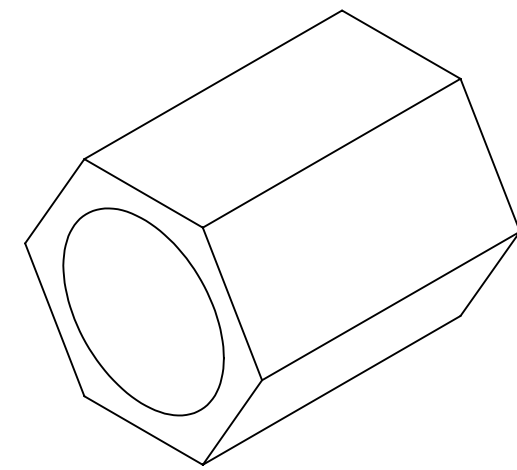
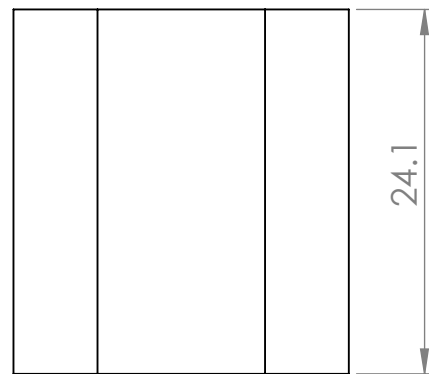
5

4

3

2

1



D

D

C

C

B


B

A

A

NOTE :  $\frac{3}{8}$ " BSP FEMALE CONNECTOR

Tolerance class		Division of basic dimension							
Designation	Description	0.5 to	0.5 to	0.5 to	0.5 to	0.5 to	0.5 to	0.5 to	0.5 to
		up to 3	up to 6	up to 30	up to 120	up to 400	up to 1000	up to 2000	up to 4000
f	fine	0.05	0.05	0.1	0.15	0.2	0.3	0.5	-
m	medium	0.1	0.1	0.2	0.3	0.5	0.8	1.2	2
c	coarse	0.2	0.3	0.5	0.8	1.2	2	3	4
v	very coarse	-	0.5	1	1.5	2.5	4	6	8

		FINISH:		N/A		N/A		DO NOT SCALE DRAWING		REVISION : A	
		UNLESS OTHERWISE SPECIFIED: DIMENSIONS ARE IN MILLIMETERS TOLERANCE CLASS: M (PLEASE SEE TOLERANCE TABLE)									
DRAWN		NAME		SIGNATURE		DATE		<p>TITLE:</p> <h1>REGULATOR CONNECTOR</h1>			
CHK'D		BAJ				15/08/18					
APPV'D											
MFG											
Q.A								MATERIAL:		DWG NO.	
								BRASS		008	
								WEIGHT: N/A		SCALE - 2:1	
										SHEET 1 OF 1	

6

5

4

3

2

1



6

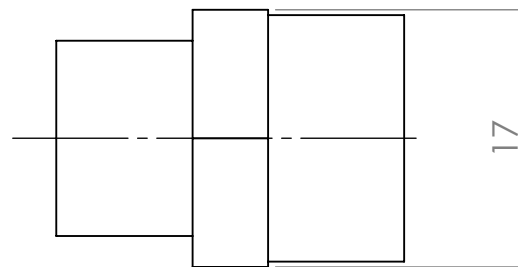
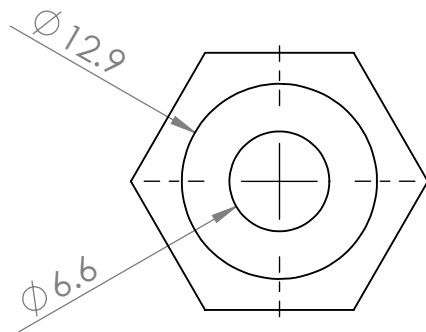
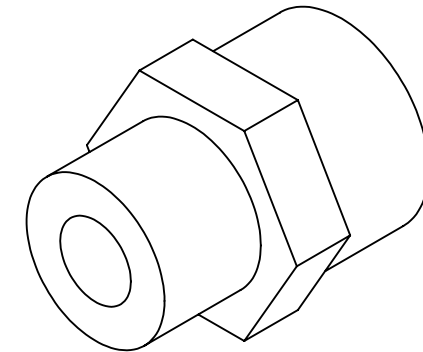
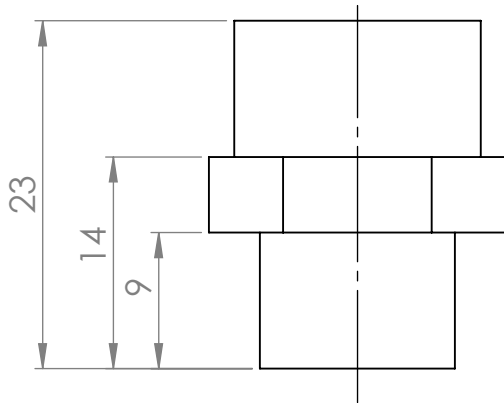
5

4

3


2

1



NOTE :  $\frac{3}{8}$ " BSP TO  $\frac{1}{4}$ " BSP ADAPTOR

Tolerance class		Division of basic dimension							
Designation	Description	0.5 to	0.5 to	0.5 to	0.5 to	0.5 to	0.5 to	0.5 to	0.5 to
		up to 3	up to 6	up to 30	up to 120	up to 400	up to 1000	up to 2000	up to 4000
Permissible deviations									
f	fine	0.05	0.05	0.1	0.15	0.2	0.3	0.5	-
m	medium	0.1	0.1	0.2	0.3	0.5	0.8	1.2	2
c	coarse	0.2	0.3	0.5	0.8	1.2	2	3	4
v	very coarse	-	0.5	1	1.5	2.5	4	6	8

		FINISH:		N/A		N/A		DO NOT SCALE DRAWING		REVISION : A	
		UNLESS OTHERWISE SPECIFIED: DIMENSIONS ARE IN MILLIMETERS TOLERANCE CLASS: M (PLEASE SEE TOLERANCE TABLE)									
DRAWN		NAME		SIGNATURE		DATE		TITLE:			
		BAJ				15/08/18		<h1 style="text-align: center;">REGULATOR ADAPTOR</h1>			
CHK'D											
APPV'D											
MFG											
Q.A								MATERIAL:		DWG NO.	
								BRASS		009	
								WEIGHT: N/A		SCALE - 2:1	
										SHEET 1 OF 1	

6

5

4

3

2

1

D

C

B

A

6

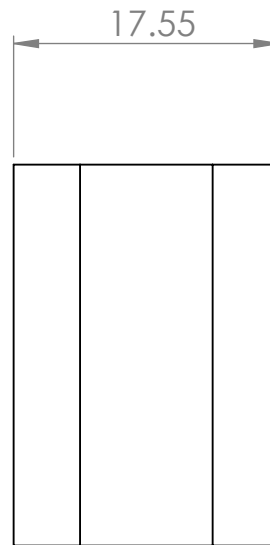
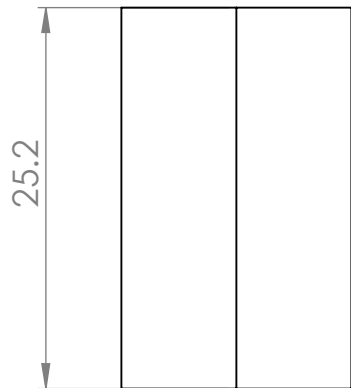
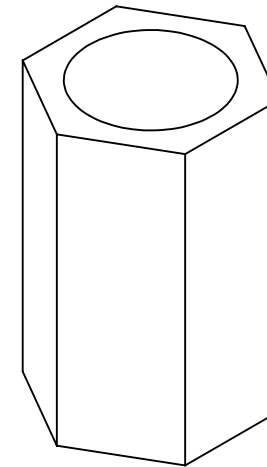
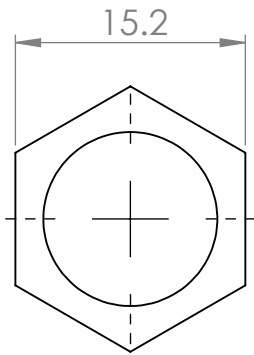
5

4

3


2

1



NOTE : 1/4" BSP FEMALE CONNECTOR

Tolerance class		Division of basic dimension							
Designation	Description	0.5 to	0.5 to	0.5 to	0.5 to	0.5 to	0.5 to	0.5 to	0.5 to
		up to 3	up to 6	up to 30	up to 120	up to 400	up to 1000	up to 2000	up to 4000
Permissible deviations									
f	fine	0.05	0.05	0.1	0.15	0.2	0.3	0.5	-
m	medium	0.1	0.1	0.2	0.3	0.5	0.8	1.2	2
c	coarse	0.2	0.3	0.5	0.8	1.2	2	3	4
v	very coarse	-	0.5	1	1.5	2.5	4	6	8

		FINISH:		N/A		N/A		DO NOT SCALE DRAWING		REVISION : A	
		UNLESS OTHERWISE SPECIFIED: DIMENSIONS ARE IN MILLIMETERS TOLERANCE CLASS: M (PLEASE SEE TOLERANCE TABLE)									
DRAWN		NAME		SIGNATURE		DATE		TITLE:			
		BAJ				15/08/18		HEX CONNECTOR			
CHK'D								MATERIAL:			
APPV'D											
MFG								DWG NO.			
Q.A											
								010			
								A4			
						WEIGHT: N/A		SCALE - 2:1		SHEET 1 OF 1	

6

5

4

3

2

1

D

D

C

C

B

B

A

A

6

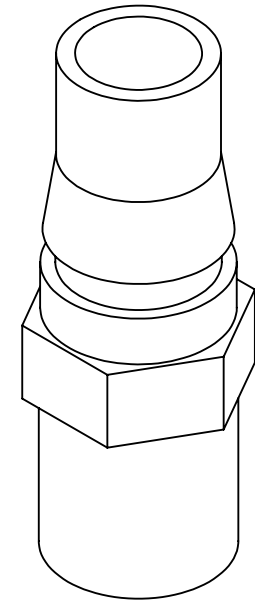
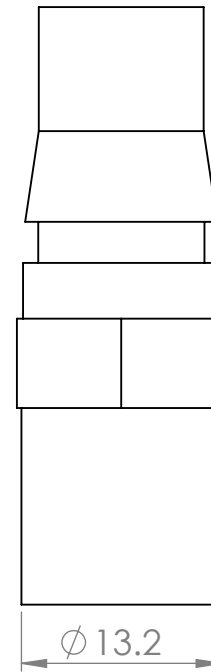
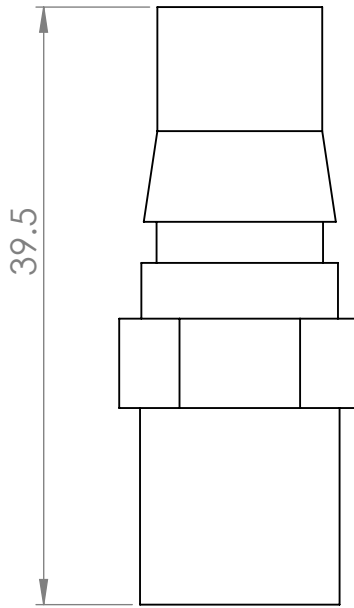
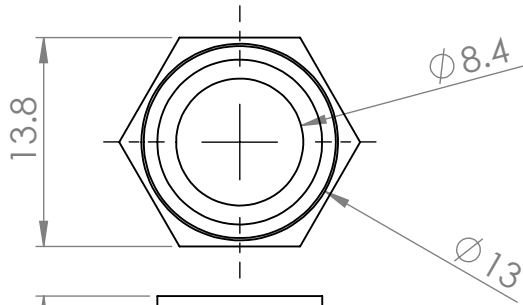
5

4

3


2

1



NOTE : 1/4" BSP MALE CONNECTOR

Tolerance class		Division of basic dimension								
Designation	Description	0.5 to	0.5 to	0.5 to	0.5 to	0.5 to	0.5 to	0.5 to	0.5 to	0.5 to
		up to 3	up to 6	up to 30	up to 120	up to 400	up to 1000	up to 2000	up to 4000	up to 10000
f	fine	0.05	0.05	0.1	0.15	0.2	0.3	0.5	0.8	1.2
m	medium	0.1	0.1	0.2	0.3	0.5	0.8	1.2	2	3
c	coarse	0.2	0.3	0.5	0.8	1.2	2	3	5	8
v	very coarse	-	0.5	1	1.5	2.5	4	6	10	16

		FINISH:		N/A		N/A		DO NOT SCALE DRAWING		REVISION : A	
		UNLESS OTHERWISE SPECIFIED: DIMENSIONS ARE IN MILLIMETERS TOLERANCE CLASS: M (PLEASE SEE TOLERANCE TABLE)									
DRAWN		NAME		SIGNATURE		DATE		TITLE:			
		BAJ				15/08/18		<h1>MALE CONNECTOR</h1>			
CHK'D											
APPV'D								<h2>011</h2>			
MFG											
Q.A								MATERIAL:		DWG NO.	
								STEEL		A4	
								WEIGHT: N/A		SCALE - 2:1	
										SHEET 1 OF 1	

6

5

4

3

2

1

D

D

C

C

B

B

A

A

6

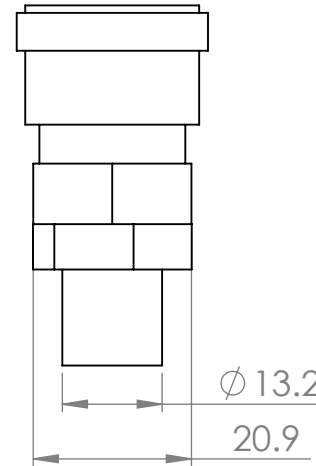
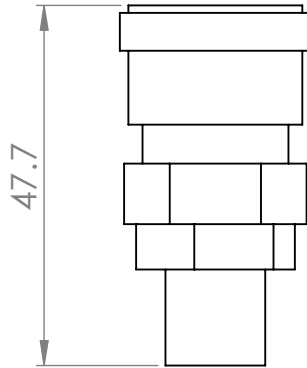
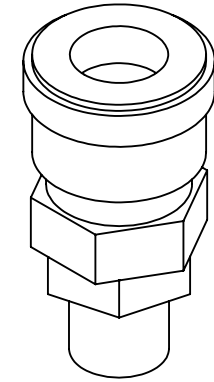
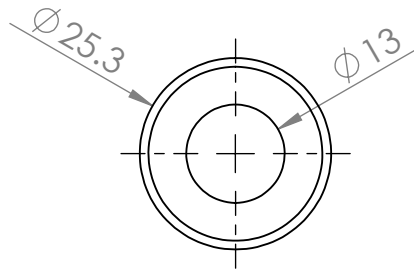
5

4

3


2

1



NOTE : 1/4" BSP FEMALE CONNECTOR

Tolerance class		Division of basic dimension							
Designation	Description	0.05 to	0.05 to	0.05 to	0.05 to	0.05 to	0.05 to	0.05 to	0.05 to
		up to 3	up to 6	up to 30	30 to 120	120 up to 400	400 to 1000	1000 to 2000	2000 to 4000
Permissible deviations									
f	fine	0.05	0.05	0.1	0.15	0.2	0.3	0.5	-
m	medium	0.1	0.1	0.2	0.3	0.5	0.8	1.2	2
c	coarse	0.2	0.3	0.5	0.8	1.2	2	3	4
v	very coarse	-	0.5	1	1.5	2.5	4	6	8

		FINISH:		N/A		N/A		DO NOT SCALE DRAWING		REVISION : A	
		UNLESS OTHERWISE SPECIFIED: DIMENSIONS ARE IN MILLIMETERS TOLERANCE CLASS: M (PLEASE SEE TOLERANCE TABLE)									
DRAWN		NAME		SIGNATURE		DATE		<p style="text-align: center; font-size: 24px; margin: 0;">TITLE:</p> <p style="text-align: center; font-size: 36px; margin: 0;">FEMALE CONNECTOR</p>			
CHK'D		BAJ				15/08/18					
APPV'D											
MFG											
Q.A								MATERIAL:		DWG NO.	
								STEEL		012	
								WEIGHT: N/A		SCALE - 1:1	
										SHEET 1 OF 1	

6

5

4

3

2

1

D

D

C

C

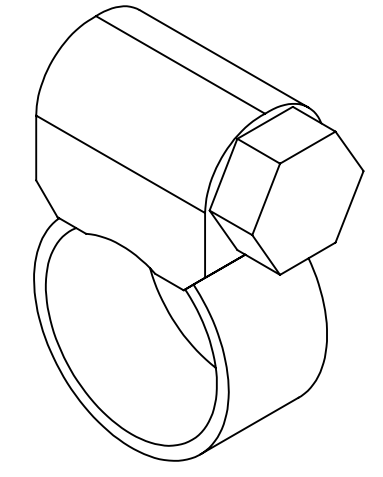
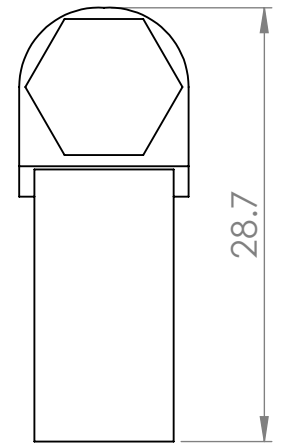
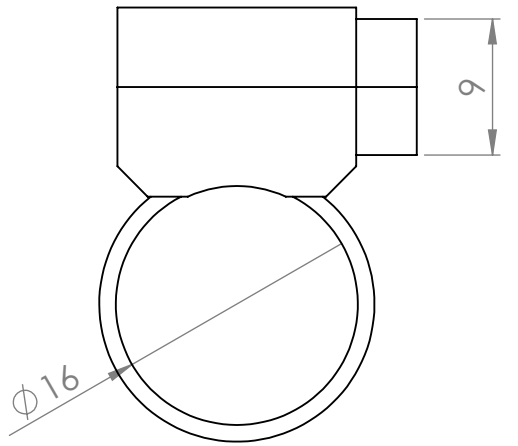
B

B

A

A

6 5 4 3 2 1



D

D

C

C


B

B

A

A

Tolerance class		Division of basic dimension							
Designation	Description	0.5 to	0.5 to	0.5 to	0.5 to	0.5 to	0.5 to	0.5 to	0.5 to
		up to 3	up to 6	up to 30	30 to 120	120 up to 400	400 up to 1000	1000 up to 2000	2000 up to 4000
Permissible deviations									
f	fine	0.05	0.05	0.1	0.15	0.2	0.3	0.5	-
m	medium	0.1	0.1	0.2	0.3	0.5	0.8	1.2	2
c	coarse	0.2	0.3	0.5	0.8	1.2	2	3	4
v	very coarse	-	0.5	1	1.5	2.5	4	6	8

		FINISH:		N/A		N/A		DO NOT SCALE DRAWING		REVISION : A	
		UNLESS OTHERWISE SPECIFIED: DIMENSIONS ARE IN MILLIMETERS TOLERANCE CLASS: M (PLEASE SEE TOLERANCE TABLE)									
DRAWN		NAME		SIGNATURE		DATE		TITLE:			
		BAJ				15/08/18		<h1 style="text-align: center;">HOSE CLAMP</h1>			
CHK'D											
APPV'D								DWG NO. <span style="font-size: 2em; font-weight: bold;">013</span>			
MFG											
Q.A								MATERIAL:		<span style="font-size: 2em; font-weight: bold;">A4</span>	
								<span style="font-size: 1.5em; font-weight: bold;">STEEL</span>			
								WEIGHT: N/A		SCALE - 2:1	
										SHEET 1 OF 1	

6 5 4 3 2 1

6

5

4

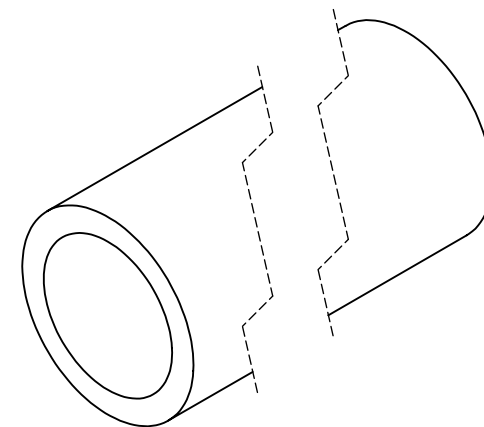
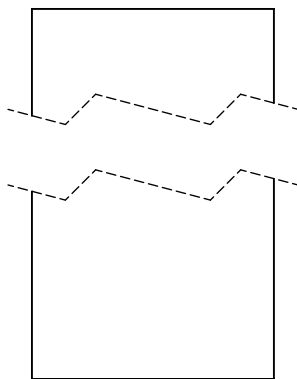
3

2

1

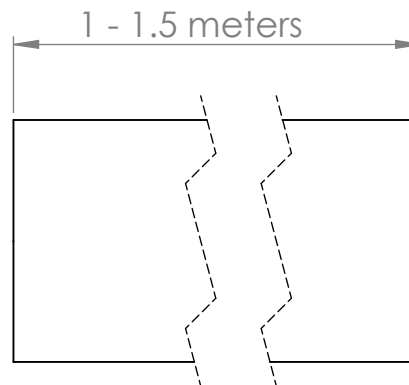
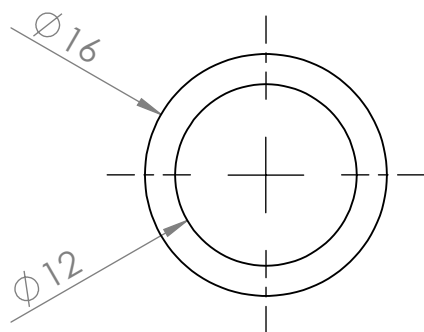
D

D



C

C




B

B

A

A

Tolerance class		Division of basic dimension							
Designation	Description	0.5 to	0.5 to	0.5 to	0.5 to	0.5 to	0.5 to	0.5 to	0.5 to
		up to 3	up to 6	up to 30	up to 120	up to 400	up to 1000	up to 2000	up to 4000
Permissible deviations									
f	fine	0.05	0.05	0.1	0.15	0.2	0.3	0.5	-
m	medium	0.1	0.1	0.2	0.3	0.5	0.8	1.2	2
c	coarse	0.2	0.3	0.5	0.8	1.2	2	3	4
v	very coarse	-	0.5	1	1.5	2.5	4	6	8

		FINISH:		N/A		N/A		DO NOT SCALE DRAWING		REVISION : A	
		UNLESS OTHERWISE SPECIFIED: DIMENSIONS ARE IN MILLIMETERS TOLERANCE CLASS: M (PLEASE SEE TOLERANCE TABLE)									
DRAWN		NAME		SIGNATURE		DATE		TITLE:			
		BAJ				15/08/18		<h1>AIR HOSE</h1>			
CHK'D											
APPV'D											
MFG											
Q.A								MATERIAL:		DWG NO.	
								POLYURETHANE		<h1>014</h1>	
								WEIGHT: N/A		SCALE - 2:1	
										SHEET 1 OF 1	

6

5

4

3

2

1

6 5 4 3 2 1

D

C

B

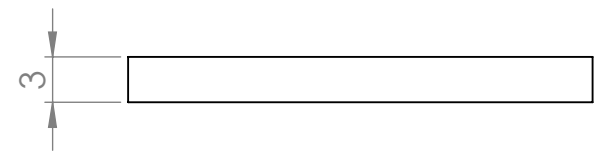
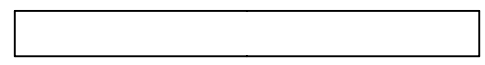
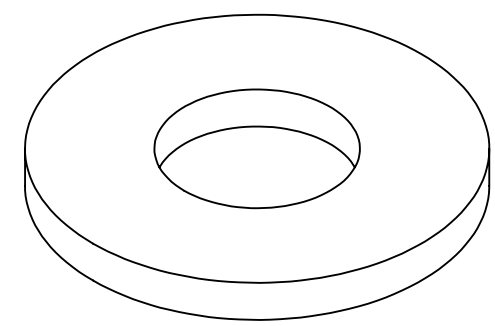
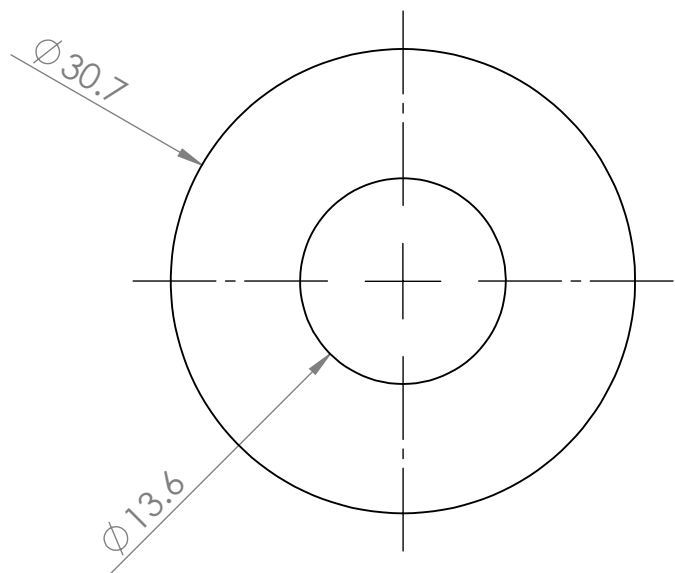
A

D


C

B

A



Tolerance class		Division of basic dimension							
Designation	Description	0.5 to up to 3	0.5 to up to 6	0.5 to up to 30	0.5 to 30 up to 120	0.5 to 120 up to 400	0.5 to 400 up to 1000	0.5 to 1000 up to 2000	0.5 to 2000 up to 4000
		f	fine	0.05	0.05	0.1	0.15	0.2	0.3
m	medium	0.1	0.1	0.2	0.3	0.5	0.8	1.2	2
c	coarse	0.2	0.3	0.5	0.8	1.2	2	3	4
v	very coarse	-	0.5	1	1.5	2.5	4	6	8

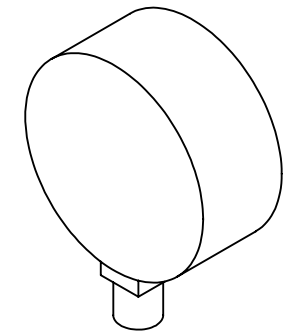
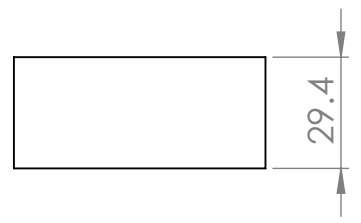
		FINISH:		N/A		N/A		DO NOT SCALE DRAWING		REVISION : A	
		UNLESS OTHERWISE SPECIFIED: DIMENSIONS ARE IN MILLIMETERS TOLERANCE CLASS: M (PLEASE SEE TOLERANCE TABLE)									
DRAWN		NAME		SIGNATURE		DATE		TITLE:		M12 WASHER	
CHK'D		BAJ				15/08/18					
APPV'D											
MFG											
Q.A								MATERIAL:		DWG NO.	
								STEEL		015	
								WEIGHT: N/A		SCALE - 2:1	
										SHEET 1 OF 1	

6 5 4 3 2 1

6 5 4 3 2 1

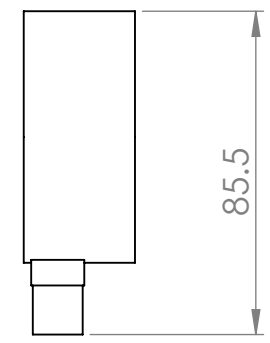
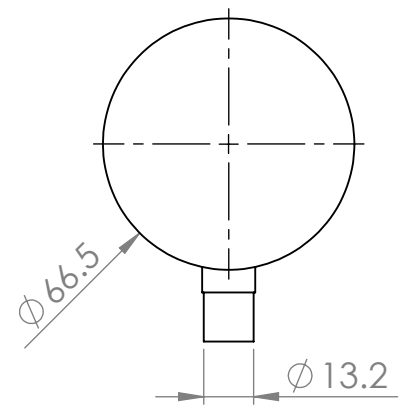
D

D



C

C




B

B

NOTE : 1/4" BSP PRESSURE GAUGE

Tolerance class		Division of basic dimension							
Designation	Description	0.5 to	0.5 to	0.5 to	0.5 to	0.5 to	0.5 to	0.5 to	0.5 to
		up to 3	up to 6	up to 30	up to 120	up to 400	up to 1000	up to 2000	up to 4000
Permissible deviations									
f	fine	0.05	0.05	0.1	0.15	0.2	0.3	0.5	-
m	medium	0.1	0.1	0.2	0.3	0.5	0.8	1.2	2
c	coarse	0.2	0.3	0.5	0.8	1.2	2	3	4
v	very coarse	-	0.5	1	1.5	2.5	4	6	8

		FINISH:		N/A		N/A		DO NOT SCALE DRAWING		REVISION : A	
		UNLESS OTHERWISE SPECIFIED: DIMENSIONS ARE IN MILLIMETERS TOLERANCE CLASS: M (PLEASE SEE TOLERANCE TABLE)									
DRAWN		NAME		SIGNATURE		DATE		TITLE: <h1 style="text-align: center;">PRESSURE GAUGE</h1>			
CHK'D		BAJ				15/08/18					
APPV'D											
MFG											
Q.A								MATERIAL:		DWG NO.	
								MIXED		016	
								WEIGHT: N/A		SCALE - 1:2	
										SHEET 1 OF 1	

A

A

6 5 4 3 2 1



6

5

4

3

2

1

D

D

C

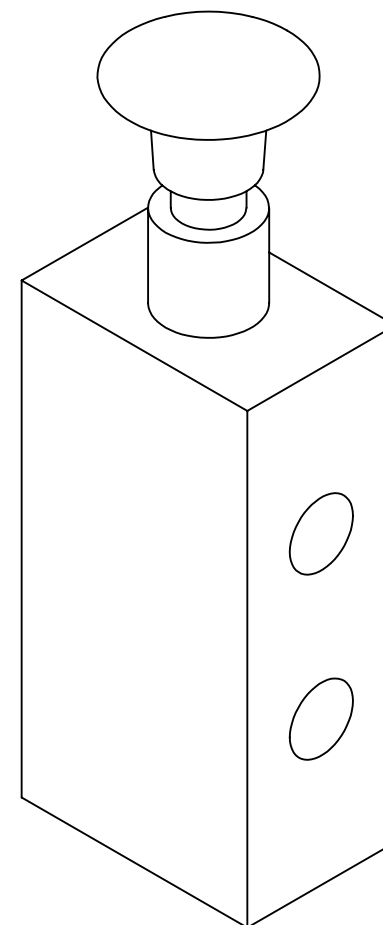
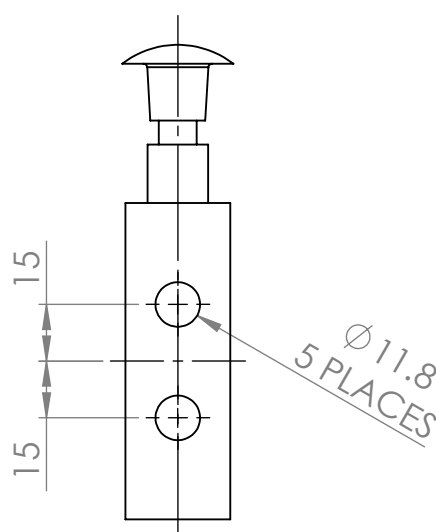
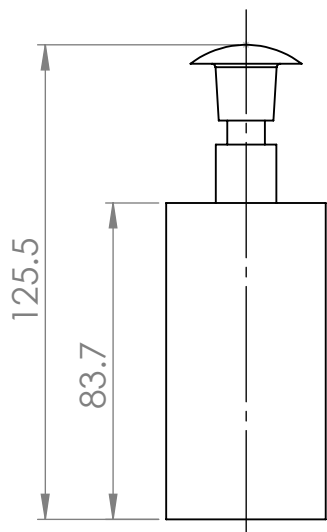
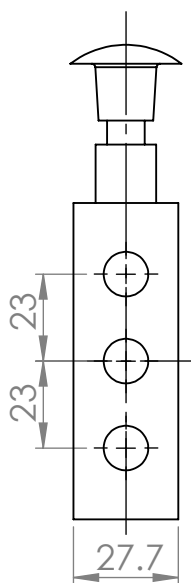
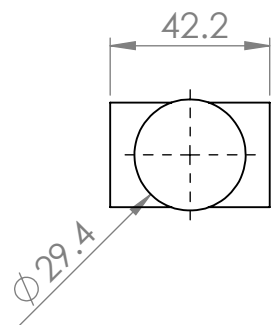
C

B

B

A

A



Tolerance class		Division of basic dimension							
Designation	Description	0.05 to	0.05 to	0.05 to	0.05 to	0.05 to	0.05 to	0.05 to	0.05 to
		up to 3	up to 6	up to 30	up to 120	up to 400	up to 1000	up to 2000	up to 4000
Permissible deviations									
f	fine	0.05	0.05	0.1	0.15	0.2	0.3	0.5	-
m	medium	0.1	0.1	0.2	0.3	0.5	0.8	1.2	2
c	coarse	0.2	0.3	0.5	0.8	1.2	2	3	4
v	very coarse	-	0.5	1	1.5	2.5	4	6	8

		FINISH: N/A		N/A		DO NOT SCALE DRAWING		REVISION : A	
		UNLESS OTHERWISE SPECIFIED: DIMENSIONS ARE IN MILLIMETERS TOLERANCE CLASS: M (PLEASE SEE TOLERANCE TABLE)							
DRAWN: BAJ		SIGNATURE:		DATE: 15/08/18		TITLE: <b>PUSH PULL VALVE</b>			
CHK'D:		MFG:		Q.A:		MATERIAL: MIXED		DWG NO. <b>017</b>	
APPV'D:		WEIGHT: N/A		SCALE: 1:2		SHEET 1 OF 1			

6

5

4

3

2

1

6

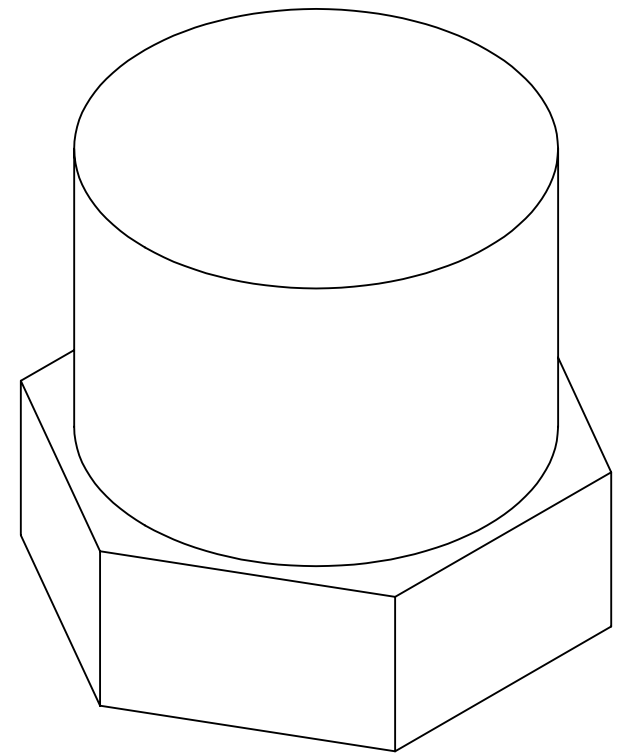
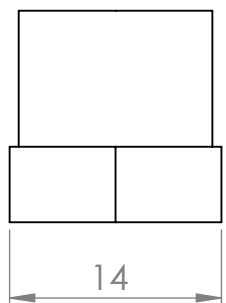
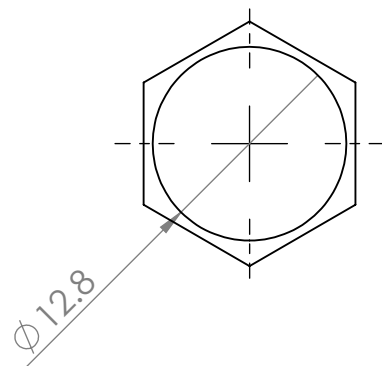
5

4

3

2

1



D

D

C

C

B


B

A

A

NOTE : 1/4" BSP BLANKING PLUG

Tolerance class		Division of basic dimension							
Designation	Description	0.5 to	0.5 to	0.5 to	0.5 to	0.5 to	0.5 to	0.5 to	0.5 to
		up to 3	up to 6	up to 30	30 to 120	120 up to 400	400 to 1000	1000 to 2000	2000 to 4000
Permissible deviations									
f	fine	0.05	0.05	0.1	0.15	0.2	0.3	0.5	0.5
m	medium	0.1	0.1	0.2	0.3	0.5	0.5	1.2	2
c	coarse	0.2	0.3	0.5	0.8	1.2	2	3	4
v	very coarse	-	0.5	1	1.5	2.5	4	6	8

		FINISH:		N/A		N/A		DO NOT SCALE DRAWING		REVISION : A	
		<small>UNLESS OTHERWISE SPECIFIED: DIMENSIONS ARE IN MILLIMETERS TOLERANCE CLASS: M (PLEASE SEE TOLERANCE TABLE)</small>									
DRAWN		NAME		SIGNATURE		DATE		<b>TITLE:</b> <h1 style="text-align: center;">BLANKING PLUG</h1>			
CHK'D		BAJ				15/08/18					
APPV'D											
MFG											
Q.A								MATERIAL:		DWG NO.	
								BRASS		018	
								WEIGHT: N/A		SCALE - 2:1	
										SHEET 1 OF 1	

6

5

4

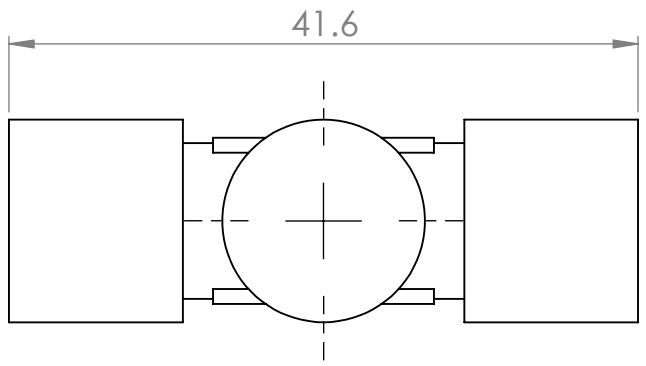
3

2

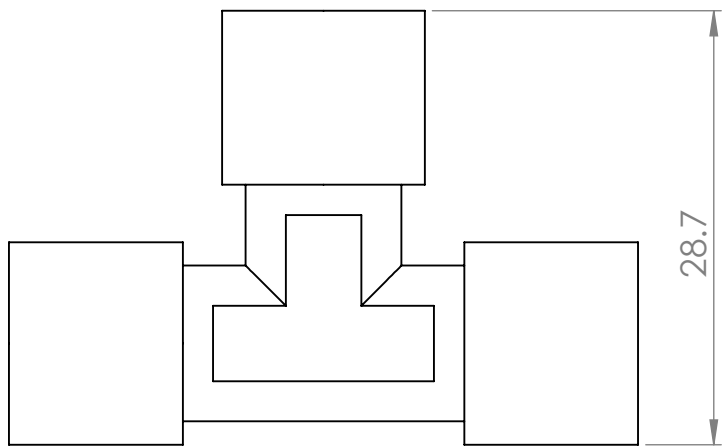
1

6 5 4 3 2 1

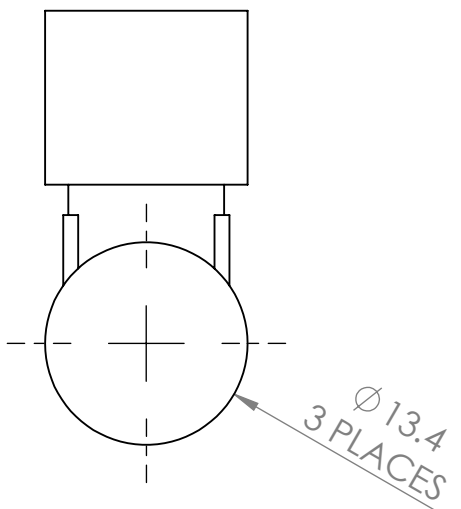
D



C



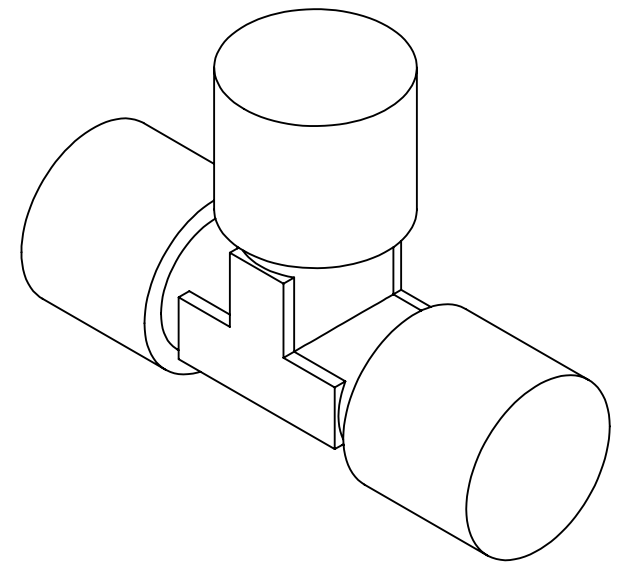
B



D

C

B



NOTE : 1/4" BSP TEE

Tolerance class		Division of basic dimension							
Designation	Description	0.5 to	0.5 to	0.5 to	0.5 to	0.5 to	0.5 to	0.5 to	0.5 to
		up to 3	up to 6	up to 30	up to 120	up to 400	up to 1000	up to 2000	up to 4000
Permissible deviations									
f	fine	0.05	0.05	0.1	0.15	0.2	0.3	0.5	-
m	medium	0.1	0.1	0.2	0.3	0.5	0.8	1.2	2
c	coarse	0.2	0.3	0.5	0.8	1.2	2	3	4
v	very coarse	-	0.5	1	1.5	2.5	4	6	8

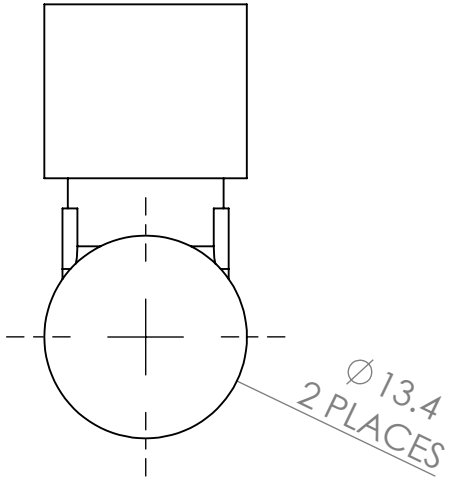
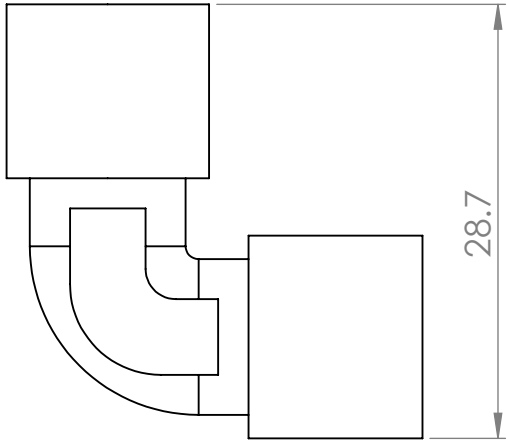
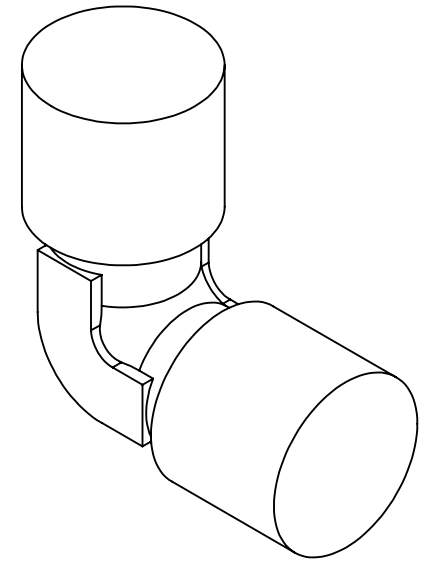
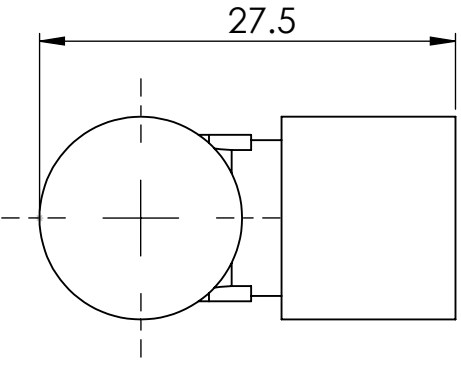
		FINISH:		N/A		N/A		DO NOT SCALE DRAWING		REVISION : A	
		UNLESS OTHERWISE SPECIFIED: DIMENSIONS ARE IN MILLIMETERS TOLERANCE CLASS: M (PLEASE SEE TOLERANCE TABLE)									
DRAWN		NAME		SIGNATURE		DATE		TITLE:			
		BAJ				15/08/18		TEE			
CHK'D								DWG NO.			
APPV'D											
MFG								019			
Q.A											
						MATERIAL:		A4			
						BRASS					
						WEIGHT: N/A		SCALE - 2:1		SHEET 1 OF 1	

A

A


6 5 4 3 2 1

6 5 4 3 2 1



NOTE : 1/4" BSP ELBOW

Tolerance class		Division of basic dimension							
Designation	Description	0.5 to	0.5 to 3	0.5 to 6	0.5 to 30	0.5 to 120	0.5 to 400	0.5 to 1000	0.5 to 2000
		up to 3	up to 6	up to 30	up to 120	up to 400	up to 1000	up to 2000	up to 4000
Permissible deviations									
f	fine	0.05	0.05	0.1	0.15	0.2	0.3	0.5	-
m	medium	0.1	0.1	0.2	0.3	0.5	0.8	1.2	2
c	coarse	0.2	0.3	0.5	0.8	1.2	2	3	4
v	very coarse	-	0.5	1	1.5	2.5	4	6	8

		FINISH:		N/A		N/A		DO NOT SCALE DRAWING		REVISION : A	
		UNLESS OTHERWISE SPECIFIED: DIMENSIONS ARE IN MILLIMETERS TOLERANCE CLASS: M (PLEASE SEE TOLERANCE TABLE)									
DRAWN		NAME		SIGNATURE		DATE		TITLE:			
		BAJ				15/08/18		ELBOW			
CHK'D											
APPV'D								DWG NO.			
MFG											
Q.A								MATERIAL:		020	
								BRASS			
								WEIGHT: N/A		SCALE - 2:1	
										SHEET 1 OF 1	

D  
C  
B  
A

D  
C  
B  
A

6 5 4 3 2 1

6

5

4

3

2

1

D

D

C

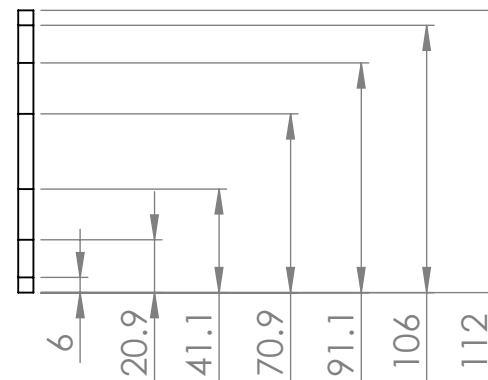
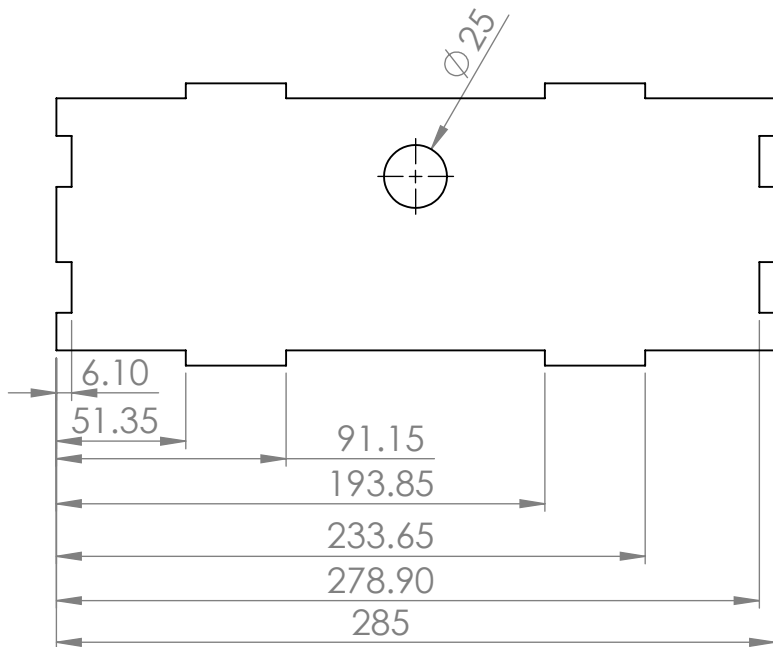
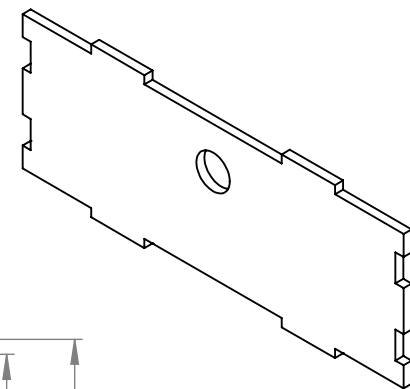
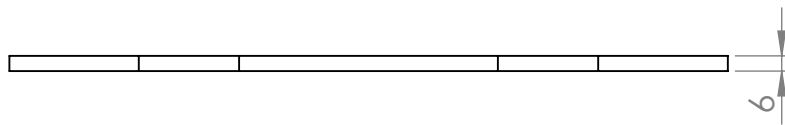
C

B


B

A

A



Tolerance class		Division of basic dimension							
Designation	Description	0.5 to up to 3	Over 3 up to 6	Over 6 up to 30	Over 30 up to 120	Over 120 up to 400	Over 400 up to 1000	Over 1000 up to 2000	Over 2000 up to 4000
		f	fine	0.05	0.05	0.1	0.15	0.2	0.3
m	medium	0.1	0.1	0.2	0.3	0.5	0.8	1.2	2
c	coarse	0.2	0.3	0.5	0.8	1.2	2	3	4
v	very coarse	-	0.5	1	1.5	2.5	4	6	8

		FINISH:		N/A		N/A		DO NOT SCALE DRAWING		REVISION : A	
		UNLESS OTHERWISE SPECIFIED: DIMENSIONS ARE IN MILLIMETERS TOLERANCE CLASS: M (PLEASE SEE TOLERANCE TABLE)									
DRAWN		NAME		SIGNATURE		DATE		TITLE:			
		BAJ				15/08/18		<h1>CONTROL BOX FRONT</h1>			
CHK'D											
APPV'D								DWG NO. <h2>021</h2>			
MFG											
Q.A								MATERIAL:		A4	
								MDF			
								WEIGHT: N/A		SCALE - 1:3	
										SHEET 1 OF 1	

6

5

4

3

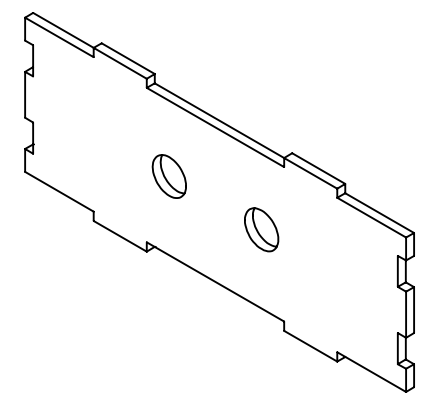
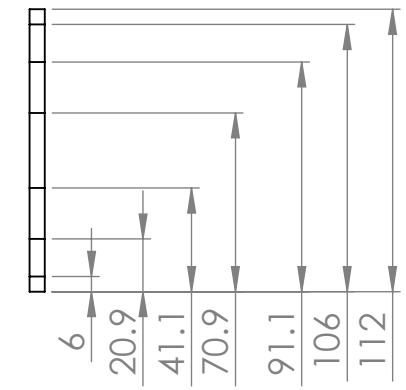
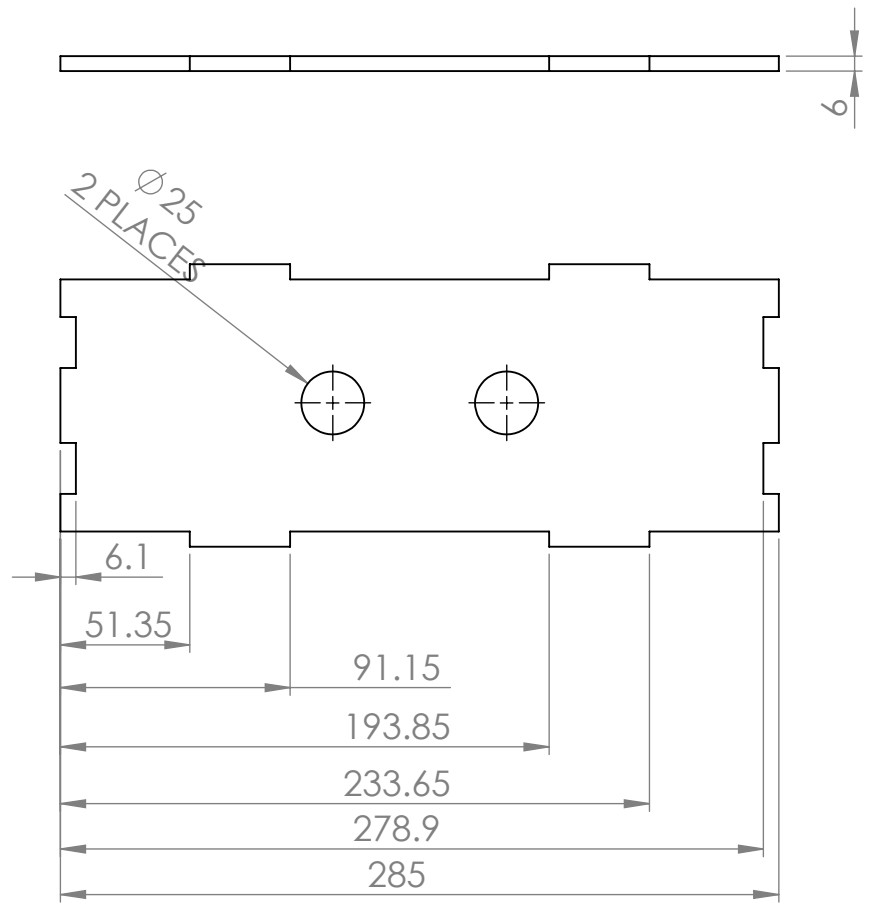
2

1

6 5 4 3 2 1

D

D




C

C

B

B

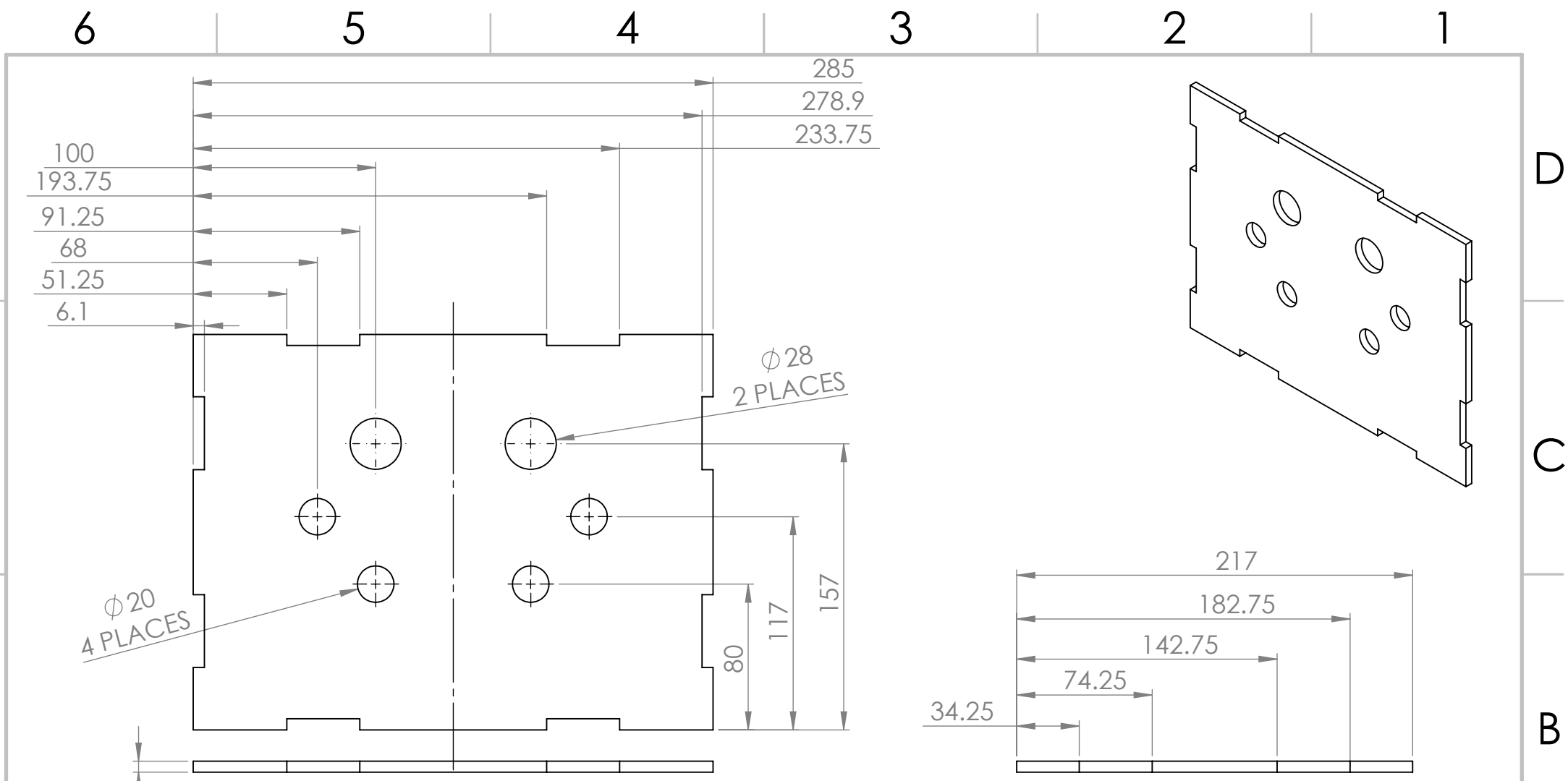
Tolerance class		Division of basic dimension							
Designation	Description	0.5 to up to 3	0.5 to up to 6	0.5 to up to 30	0.5 to up to 120	0.5 to up to 400	0.5 to up to 1000	0.5 to up to 2000	0.5 to up to 4000
		f	fine	0.05	0.05	0.1	0.15	0.2	0.3
m	medium	0.1	0.1	0.2	0.3	0.5	0.5	1.2	2
c	coarse	0.2	0.3	0.5	0.8	1.2	2	3	4
v	very coarse	-	0.5	1	1.5	2.5	4	6	8


		FINISH:		N/A		N/A		DO NOT SCALE DRAWING		REVISION : A	
		UNLESS OTHERWISE SPECIFIED: DIMENSIONS ARE IN MILLIMETERS TOLERANCE CLASS: M (PLEASE SEE TOLERANCE TABLE)									
DRAWN		NAME		SIGNATURE		DATE		TITLE:			
		BAJ				15/08/18		<h1>CONTROL BOX REAR</h1>			
CHK'D											
APPV'D								DWG NO. <h1>022</h1>			
MFG											
Q.A								MATERIAL:		A4	
								MDF			
								WEIGHT: N/A		SCALE - 1:3	
										SHEET 1 OF 1	

A

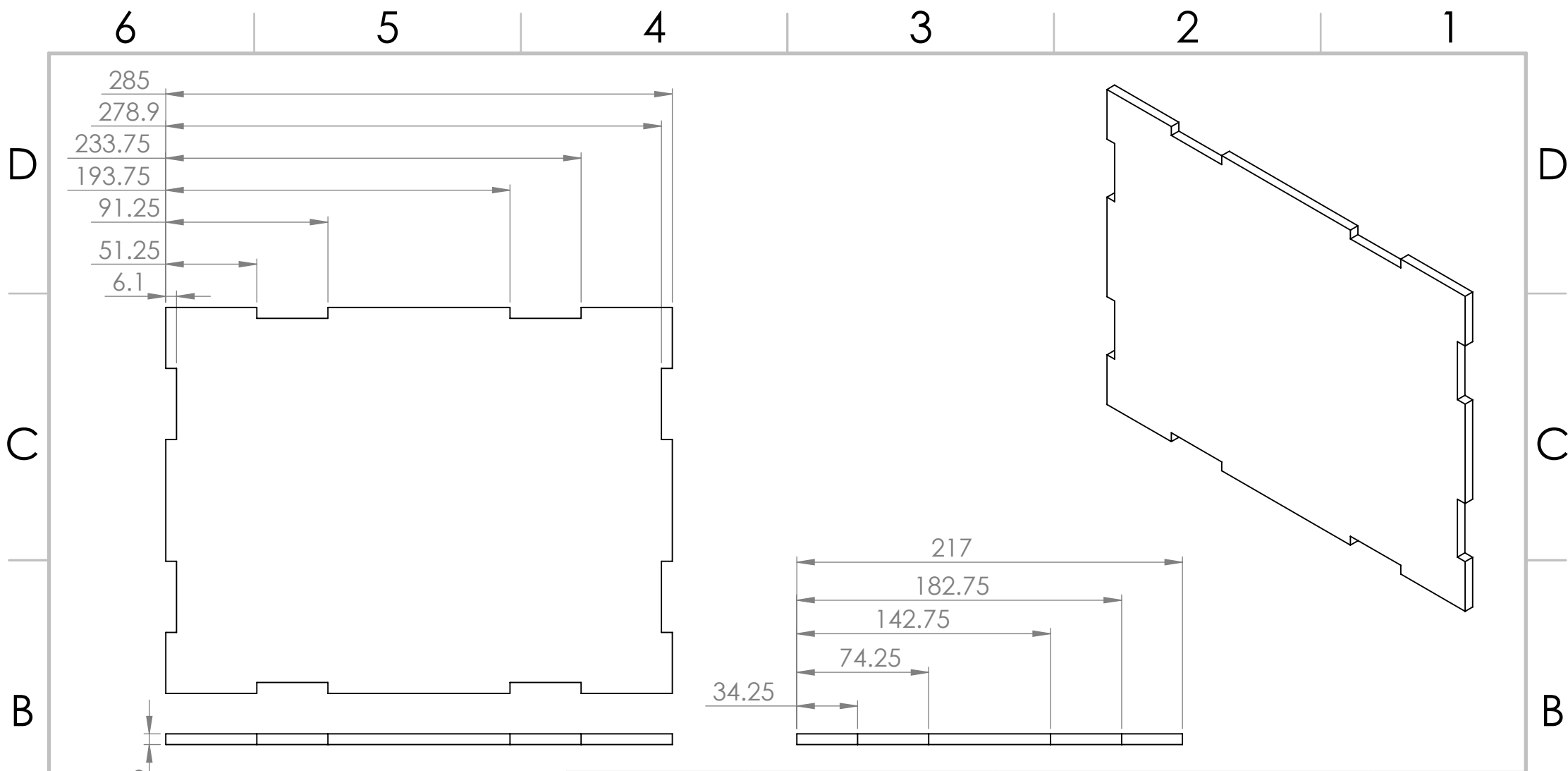
A

6 5 4 3 2 1




		FINISH: N/A		N/A		DO NOT SCALE DRAWING		REVISION : A	
		DRAWN: BAJ		DATE: 15/08/18		TITLE: CONTROL BOX TOP			
MATERIAL: MDF		DWG NO. 023		A4		SCALE: 1:3		SHEET 1 OF 1	
WEIGHT: N/A									

Tolerance class		Division of basic dimension								
Designation	Description	0.5 to	Over 0.5	Over 1	Over 1.5	Over 2	Over 3	Over 5	Over 10	Over 20
		up to 3	up to 6	up to 30	up to 120	up to 400	up to 1000	up to 2000	up to 4000	up to 10000
Permissible deviations										
f	fine	0.05	0.05	0.1	0.15	0.2	0.3	0.5	0.5	-
m	medium	0.1	0.1	0.2	0.3	0.5	0.5	1.2	1.2	2
c	coarse	0.2	0.3	0.5	0.8	1.2	2	3	3	4
v	very coarse	-	0.5	1	1.5	2.5	4	6	6	8



Tolerance class		Division of basic dimension							
Designation	Description	0.5 to	Over 0.5	Over 1	Over 1.5	Over 2	Over 3	Over 5	Over 10
		up to 3	up to 6	up to 30	up to 120	up to 400	up to 1000	up to 2000	up to 4000
Permissible deviations									
f	fine	0.05	0.05	0.1	0.15	0.2	0.3	0.5	-
m	medium	0.1	0.1	0.2	0.3	0.5	0.8	1.2	2
c	coarse	0.2	0.3	0.5	0.8	1.2	2	3	4
v	very coarse	-	0.5	1	1.5	2.5	4	6	8

		FINISH:		N/A		N/A		DO NOT SCALE DRAWING		REVISION : A	
		<small>UNLESS OTHERWISE SPECIFIED: DIMENSIONS ARE IN MILLIMETERS TOLERANCE CLASS: M (PLEASE SEE TOLERANCE TABLE)</small>									
DRAWN		NAME		SIGNATURE		DATE		TITLE:			
		BAJ				15/08/18		<h1>CONTROL BOX BASE</h1>			
CHK'D								DWG NO. <span style="font-size: 2em;">024</span> <span style="float: right;">A4</span>			
APPV'D											
MFG								MATERIAL: <span style="font-size: 1.5em;">MDF</span>			
Q.A											
								WEIGHT: N/A <span style="float: right;">SCALE - 1:3</span> <span style="float: right;">SHEET 1 OF 1</span>			



6

5

4

3

2

1

D

D

C

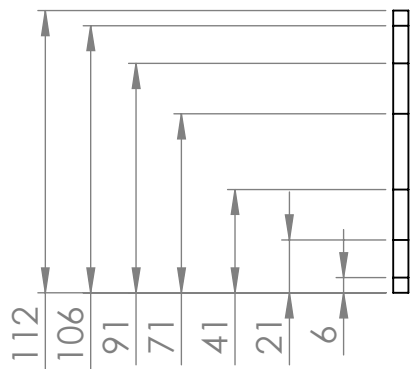
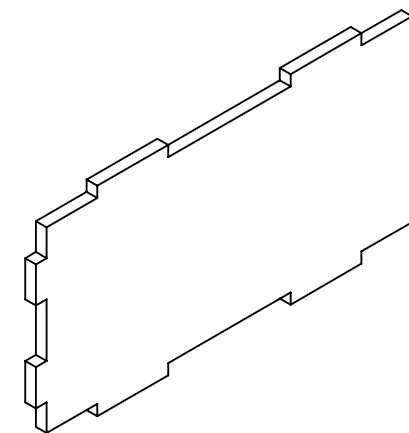
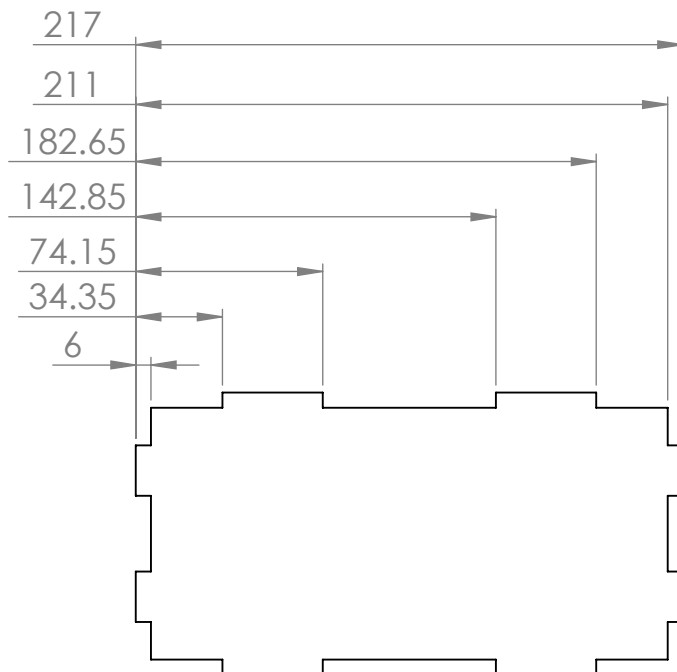
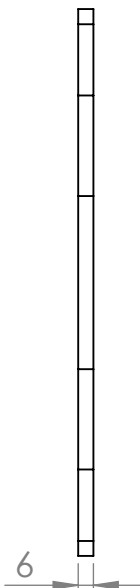
C

B


B

A

A



Tolerance class		Division of basic dimension							
Designation	Description	0.05 to	0.05 to	0.05 to	0.05 to	0.05 to	0.05 to	0.05 to	0.05 to
		up to 3	up to 6	up to 30	up to 120	up to 400	up to 1000	up to 2000	up to 4000
Permissible deviations									
f	fine	0.05	0.05	0.1	0.15	0.2	0.3	0.5	0.5
m	medium	0.1	0.1	0.2	0.3	0.5	0.5	1.2	2
c	coarse	0.2	0.3	0.5	0.8	1.2	2	3	4
v	very coarse	-	0.5	1	1.5	2.5	4	6	8

		FINISH:		N/A		N/A		DO NOT SCALE DRAWING		REVISION : A	
		<small>UNLESS OTHERWISE SPECIFIED: DIMENSIONS ARE IN MILLIMETERS TOLERANCE CLASS: M (PLEASE SEE TOLERANCE TABLE)</small>									
DRAWN		NAME		SIGNATURE		DATE		<p style="text-align: center; font-size: 24px; margin: 0;">CONTROL BOX SIDES</p>			
CHK'D		BAJ				15/08/18					
APPV'D											
MFG											
Q.A						MATERIAL:		DWG NO.		A4	
						MDF		025			
						WEIGHT: N/A		SCALE - 1:3		SHEET 1 OF 1	

6

5

4

3

2

1

6

5

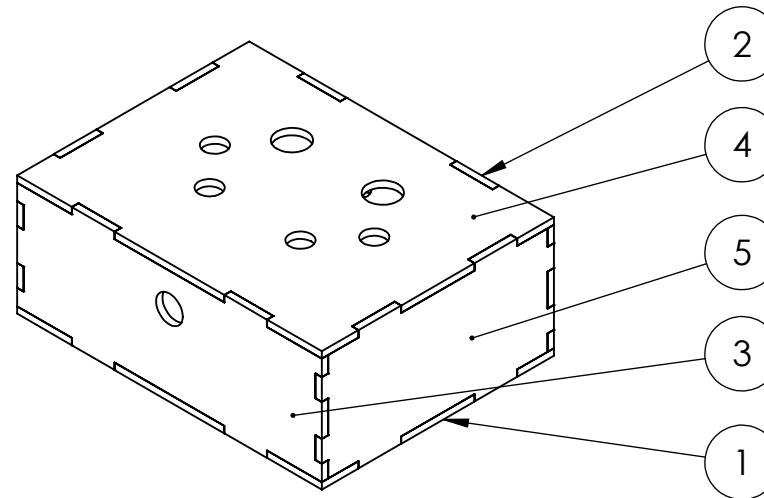
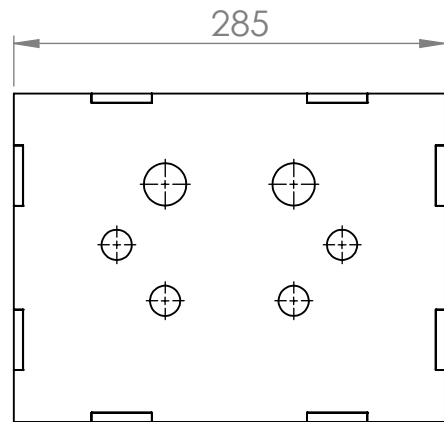
4

3

2

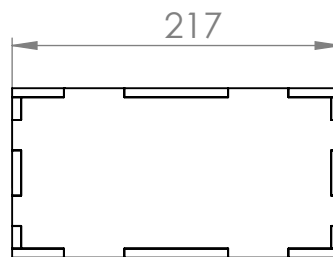
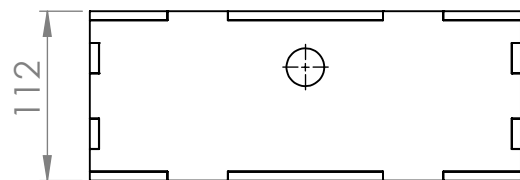
1

D



D

C




C

ITEM NO.	PART NUMBER	DWG NO.	QTY.
1	CONTROL BOX BASE	024	1
2	CONTROL BOX REAR	022	1
3	CONTROL BOX FRONT	021	1
4	CONTROL BOX TOP	023	1
5	CONTROL BOX SIDES	025	2

B

B

		FINISH:		N/A		N/A	
		DO NOT SCALE DRAWING				REVISION : A	
UNLESS OTHERWISE SPECIFIED: DIMENSIONS ARE IN MILLIMETERS TOLERANCE CLASS: M (PLEASE SEE TOLERANCE TABLE)							
DRAWN		NAME	SIGNATURE	DATE	TITLE:		
CHK'D		BAJ		15/08/18	CONTROL BOX EXT ASSEMBLY		
APPV'D							
MFG					DWG NO.		
Q.A					MATERIAL:		A4
					MDF (6MM)		026
					WEIGHT: N/A		SCALE - 1:5
							SHEET 1 OF 1

A

A

Tolerance class		Division of basic dimension							
Designation	Description	0.5 to	Over 0.5	Over 1	Over 1.5	Over 2	Over 3	Over 5	Over 10
		up to 3	up to 6	up to 30	up to 120	up to 400	up to 1000	up to 2000	up to 4000
Permissible deviations									
f	fine	0.05	0.05	0.1	0.15	0.2	0.3	0.5	-
m	medium	0.1	0.1	0.2	0.3	0.5	0.8	1.2	2
c	coarse	0.2	0.3	0.5	0.8	1.2	2	3	4
v	very coarse	-	0.5	1	1.5	2.5	4	6	8

6

5

4

3

2

1

6

5

4

3

2

1

D

D

C

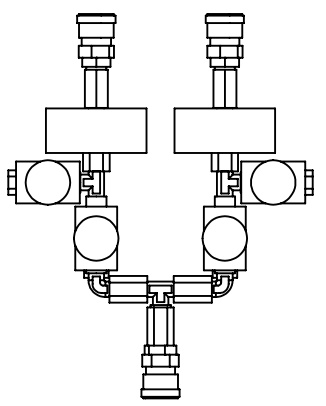
C

B

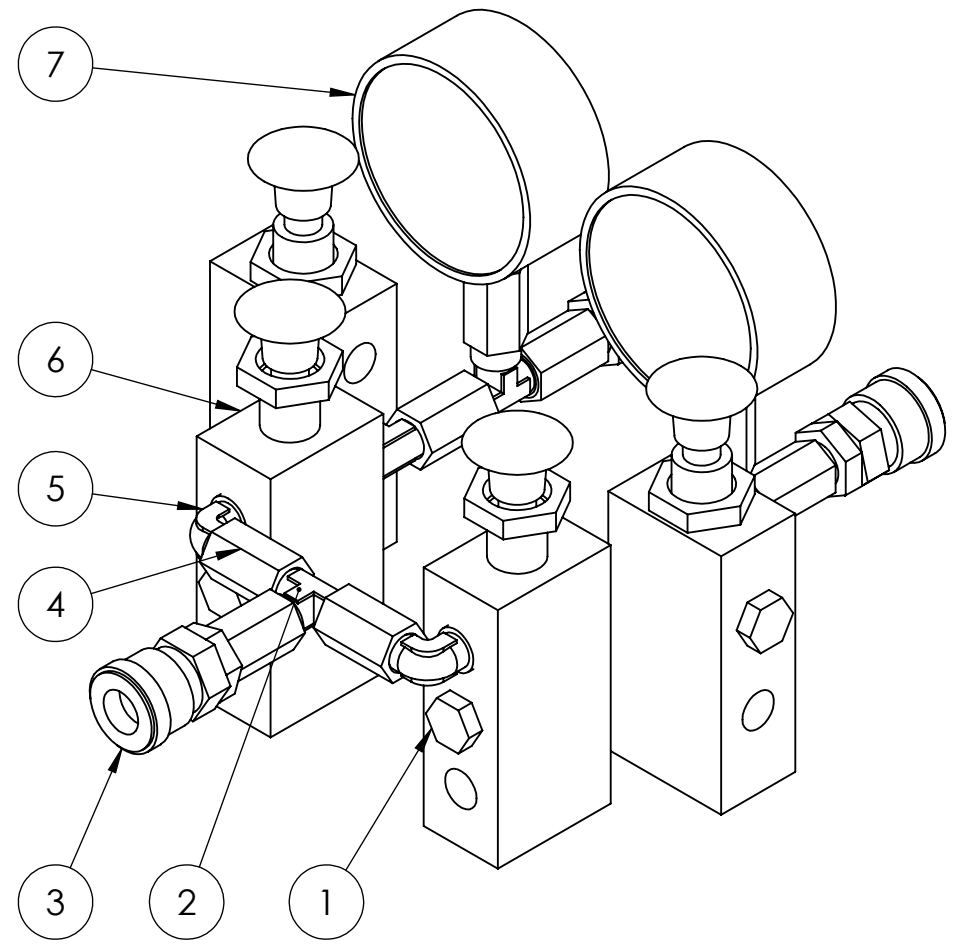
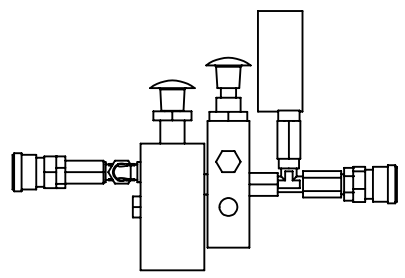
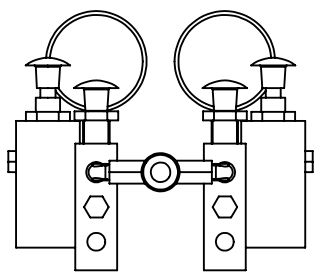
B

A


A



ITEM NO.	PART NUMBER	DWG NO.	QTY.
1	BLANKING PLUG	018	4
2	TEE	019	5
3	FEMALE CONNECTOR	012	3
4	HEX CONNECTOR	010	9
5	ELBOW	020	2
6	PUSH PULL VALVE	017	4
7	PRESSURE GAUGE	016	2



Tolerance class		Division of basic dimension								
Designation	Description	0.5 to	Over 0.5	Over 3	Over 6	Over 30	Over 120	Over 400	Over 1000	Over 2000
		up to 3	up to 6	up to 30	to 120	to 400	to 1000	to 2000	4000	
Permissible deviations										
f	fine	0.05	0.05	0.1	0.15	0.2	0.3	0.5	0.5	-
m	medium	0.1	0.1	0.2	0.3	0.5	0.5	1.2	1.2	2
c	coarse	0.2	0.3	0.5	0.8	1.2	2	3	3	4
v	very coarse	-	0.5	1	1.5	2.5	4	6	6	8



FINISH: N/A

N/A

DO NOT SCALE DRAWING

UNLESS OTHERWISE SPECIFIED:  
DIMENSIONS ARE IN MILLIMETERS  
TOLERANCE CLASS: M (PLEASE SEE TOLERANCE TABLE)

REVISION : A

NAME	SIGNATURE	DATE			
DRAWN	BAJ		21/08/18		
CHK'D					
APPV'D					
MFG					
Q.A					

# TITLE: CONTROL BOX INT ASSEMBLY

MATERIAL: MIXED

DWG NO. 027

A4

WEIGHT: N/A

SCALE - 1:5

SHEET 1 OF 1

6

5

4

3

2

1

6

5

4

3

2

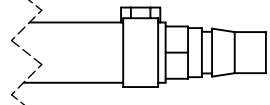
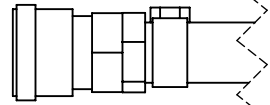
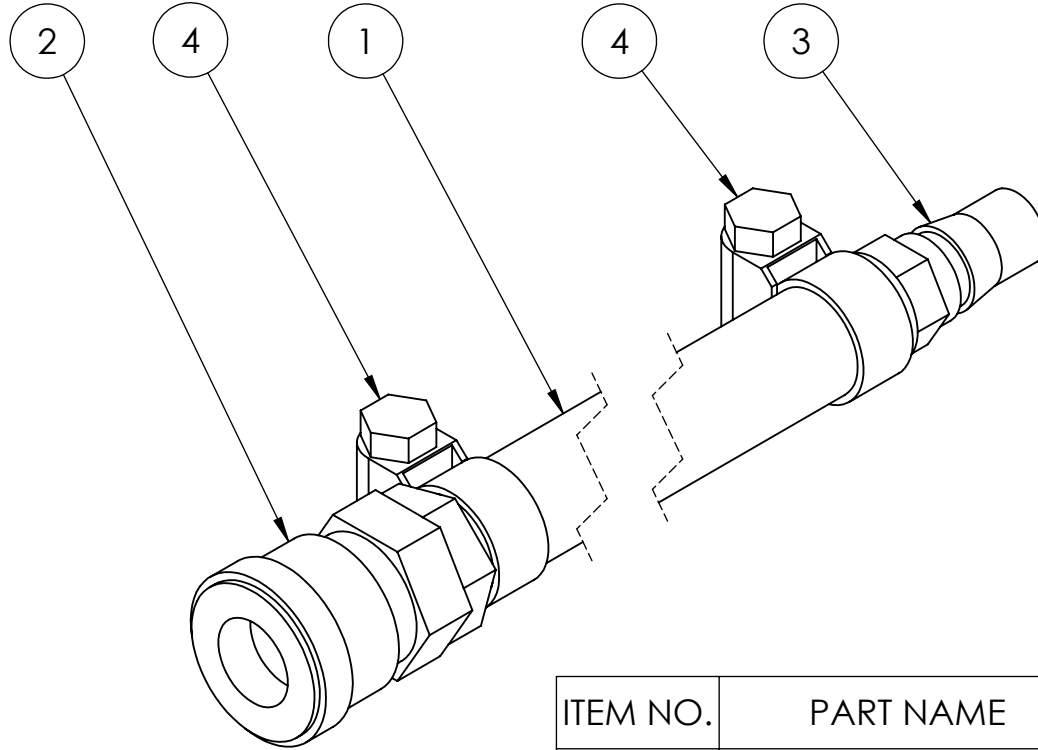
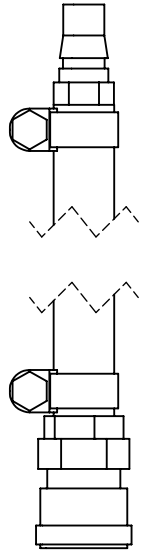
1

D

C

B


A



ITEM NO.	PART NAME	DWG NO.	QTY.
1	AIR HOSE	014	1
2	FEMALE CONNECTOR	012	1
3	MALE CONNECTOR	011	1
4	HOSE CLAMP	013	2

NOTE : THREE HOSE ASSEMBLIES PER SET

Tolerance class		Division of basic dimension							
Designation	Description	0.5 to up to 3	Over 3 up to 6	Over 6 up to 30	Over 30 up to 120	Over 120 up to 400	Over 400 up to 1000	Over 1000 up to 2000	Over 2000 up to 4000
		f	fine	0.05	0.05	0.1	0.15	0.2	0.3
m	medium	0.1	0.1	0.2	0.3	0.5	0.8	1.2	2
c	coarse	0.2	0.3	0.5	0.8	1.2	2	3	4
v	very coarse	-	0.5	1	1.5	2.5	4	6	8

		FINISH:		N/A		N/A		DO NOT SCALE DRAWING		REVISION : A	
		UNLESS OTHERWISE SPECIFIED: DIMENSIONS ARE IN MILLIMETERS TOLERANCE CLASS: M (PLEASE SEE TOLERANCE TABLE)									
DRAWN		NAME		SIGNATURE		DATE		TITLE: <h1>HOSE ASSEMBLY</h1>			
CHK'D		BAJ				21/08/18					
APPV'D											
MFG											
Q.A								MATERIAL:		DWG NO.	
								MIXED		028	
								WEIGHT: N/A		SCALE - 1:2	
										SHEET 1 OF 1	

6

5

4

3

2

1

D

C

B

A

6

5

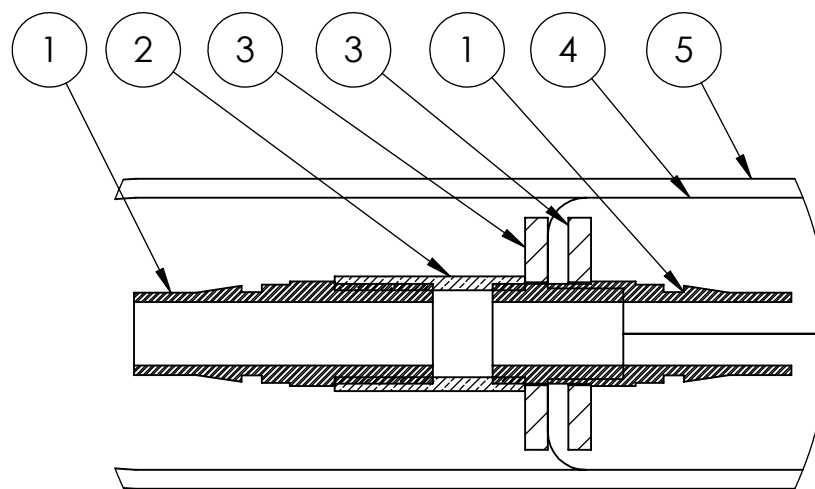
4

3

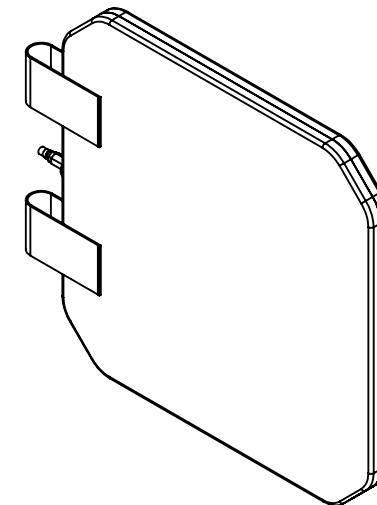
2

1

D

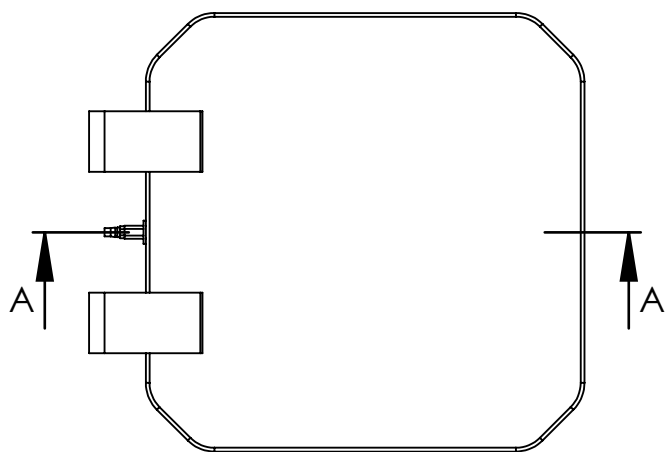


DETAIL B  
SCALE 1 : 1



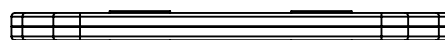
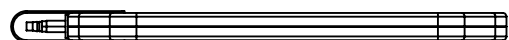
D

C



C

B



B

ITEM NO.	PART NAME	DWG NO.	QTY.
1	MALE CONNECTOR	011	2
2	HEX CONNECTOR	010	1
3	M12 WASHER	015	2
4	AIRBAG	001	1
5	PROTECTIVE BAG HANDLE	003	2

B



**FIELD READY**

FINISH:

N/A

N/A

DO NOT SCALE DRAWING

REVISION : A

UNLESS OTHERWISE SPECIFIED:  
DIMENSIONS ARE IN MILLIMETERS  
TOLERANCE CLASS: M (PLEASE SEE TOLERANCE TABLE)

Tolerance class		Division of basic dimension							
Designation	Description	0.5 to	Over 0.5	Over 1	Over 1.5	Over 2	Over 3	Over 5	Over 10
		up to 3	up to 6	up to 30	up to 120	up to 400	up to 1000	up to 2000	up to 4000
Permissible deviations									
f	fine	0.05	0.05	0.1	0.15	0.2	0.3	0.5	-
m	medium	0.1	0.1	0.2	0.3	0.5	0.8	1.2	2
c	coarse	0.2	0.3	0.5	0.8	1.2	2	3	4
v	very coarse	-	0.5	1	1.5	2.5	4	6	8

NAME	SIGNATURE	DATE	TITLE:	
BAJ		20/08/18	<b>AIRBAG ASSEMBLY</b>	
CHK'D				
APPV'D				
MFG				
Q.A			MATERIAL:	DWG NO.
			MIXED	<b>029</b>
			WEIGHT: N/A	SCALE - 1:10
				SHEET 1 OF 1

B

A

6

5

4

3

2

1