

25" MANWAY (5 OR 6 WING NUT)

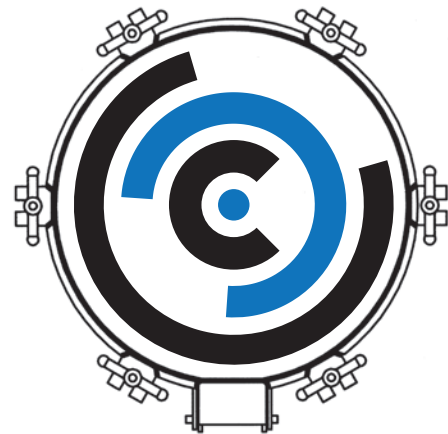
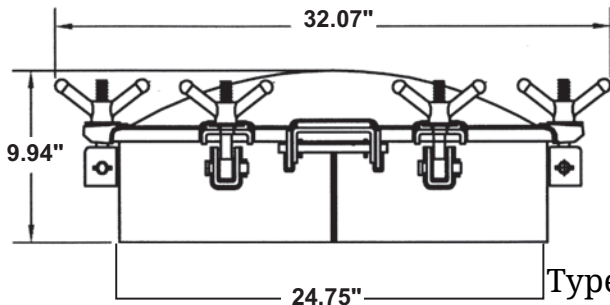
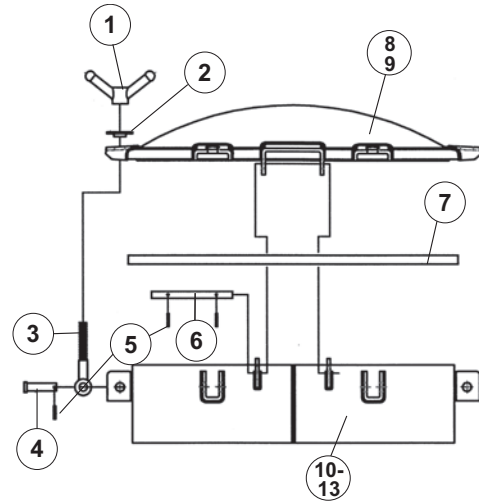


- GASKET IN THE LID DESIGN
- STANDARD NECK LENGTHS OF 6 OR 12 INCHES
- WELDABLE BASE IS 1/4" STEEL

PART#	DESCRIPTION	WEIGHT
1010-8000	25" MANWAY WITH 6" NECK, 6 WING NUT LID - 1/4" BASE	94LBS
1010-0084	25" MANWAY WITH 12" NECK, 6 WING NUT LID - 1/4" BASE	126LBS
1010-8200	25" MANWAY WITH 6" NECK, 5 WING NUT LID, LEFT HAND HINGE - 1/4" BASE	89LBS
1010-0085	25" MANWAY WITH 12" NECK, 5 WING NUT LID, LEFT HAND HINGE - 1/4" BASE	121LBS

25" MANWAY SPEC SHEET

PART#	DESCRIPTION
REPLACEMENT PARTS	
1010-0001	5/8" ZINC PLATED WING NUT (2LBS)
1010-0003	ZINC WASHER (.188LBS)
1021-0000-B	5/8" X 5" ZINC PLATED EYEBOLT (.80LBS)
1021-0000-P	ZINC PLATED CLEVIS PIN (.19LBS)
1021-0000-R	ZINC PLATED ROLL PIN (.06LBS)
1021-0000-HP	HINGE PIN (.44LBS)
1019-0012	GASKET FOR 25" MANWAY
1010-8603	25" MANWAY LID ASSY, 6 WING NUT
1010-8604	25" MANWAY LID ASSY, 5 WING NUT, LEFT HAND HINGE
1010-8606	25" MANWAY BASE ASSY, 6WN/6" NECK
1010-8607	25" MANWAY BASE ASSY, 5WN/6" NECK, LEFT HAND HINGE
1010-8612	25" MANWAY BASE ASSY, 6WN/12" NECK
1010-8613	25" MANWAY BASE ASSY, 5WN/12" NECK, LEFT HAND HINGE



*SEE LIST OF OPTIONAL FITTINGS ON PGS 31, 38, & 51
Type your text