

6

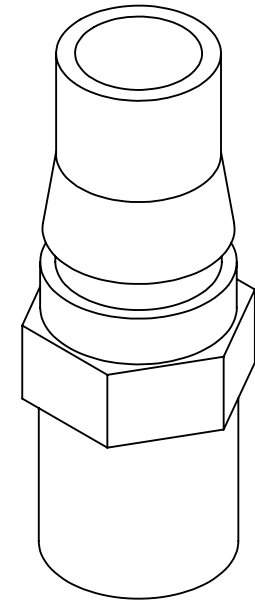
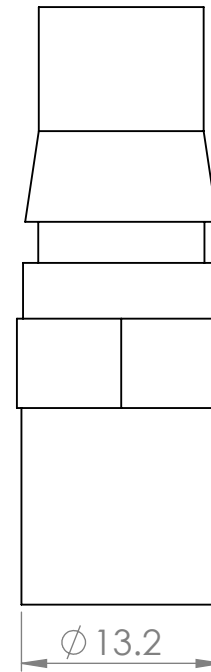
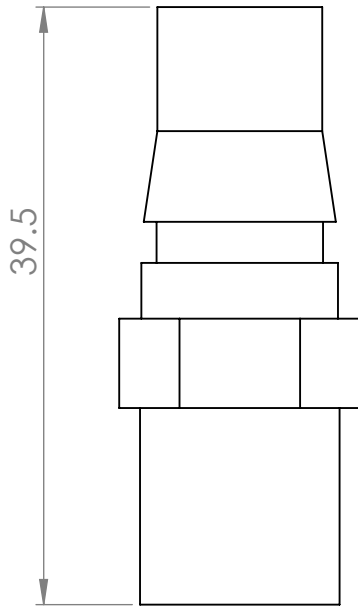
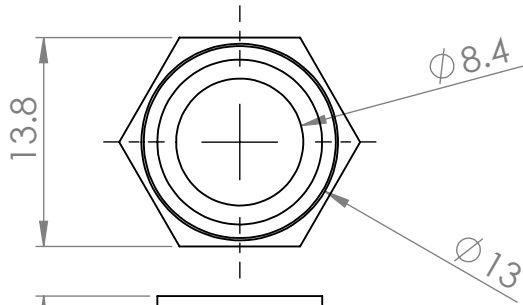
5

4

3


2

1



NOTE : 1/4" BSP MALE CONNECTOR

Tolerance class		Division of basic dimension								
Designation	Description	0.5 to	0.5 to	0.5 to	0.5 to	0.5 to	0.5 to	0.5 to	0.5 to	0.5 to
		up to 3	up to 6	up to 30	30 to 120	120 up to 400	400 up to 1000	1000 up to 2000	2000 up to 4000	4000 up to 10000
Permissible deviations										
f	fine	0.05	0.05	0.1	0.15	0.2	0.3	0.5	0.8	1.2
m	medium	0.1	0.1	0.2	0.3	0.5	0.8	1.2	2	3
c	coarse	0.2	0.3	0.5	0.8	1.2	2	3	5	8
v	very coarse	-	0.5	1	1.5	2.5	4	6	10	16

		FINISH:		N/A		N/A		DO NOT SCALE DRAWING		REVISION : A	
		UNLESS OTHERWISE SPECIFIED: DIMENSIONS ARE IN MILLIMETERS TOLERANCE CLASS: M (PLEASE SEE TOLERANCE TABLE)									
DRAWN		NAME		SIGNATURE		DATE		TITLE:			
		BAJ				15/08/18		<h1>MALE CONNECTOR</h1>			
CHK'D											
APPV'D								<h2>011</h2>			
MFG											
Q.A								MATERIAL:		DWG NO.	
								STEEL		A4	
								WEIGHT: N/A		SCALE - 2:1	
										SHEET 1 OF 1	

6

5

4

3

2

1

D

D

C

C

B

B

A

A