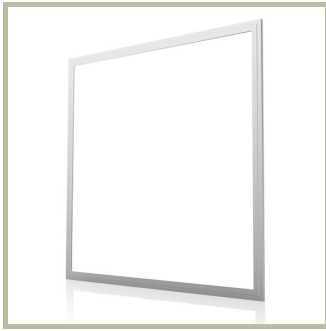


Edge-Lit Panels Gen 3



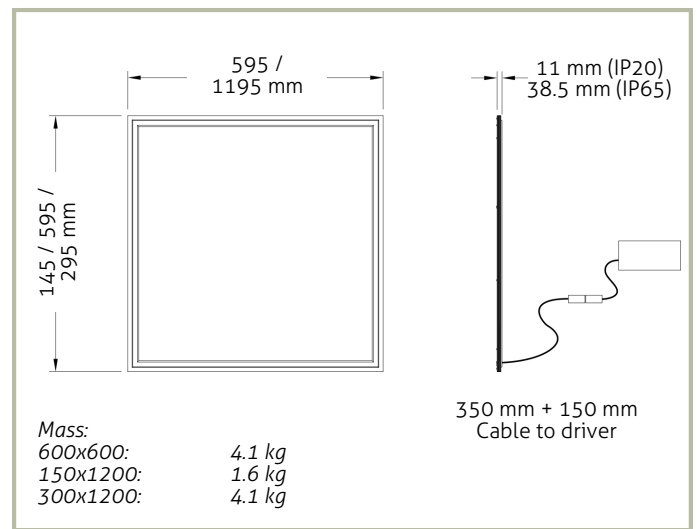
The latest generation of Ecopoint's Edge-Lit LED Panels retain the same versatility and clean appearance of the original version, which have proven a popular alternative to fluorescent troffers and downlights. A thin form-factor (depth) makes them ideal in places where ceiling void space is limited, and they can also be surface-mounted (with optional frame). Available in 150x1200, 600x600 and 300x1200 sizes with a range of light outputs, glare (UGR) and IP ratings, this new generation panel offers even greater efficacy, lifespan and colour consistency.

Key applications: Offices, Retail, Schools, Banks, Hotels, Marine, Residential etc.

GENERAL SPECIFICATIONS:

Power Factor	≥ 0.93
Electrical Input	220-240 V / 50-60 Hz
Dimming Options	Triac, 1-10V, DALI & Casambi
Colour Temperatures	4000K (Std), 3000K & 6000K (Opt)
Colour Rendering Index	Ra ≥ 80
Colour Consistency	3 SDCM
Operating Temperatures	- 20 to 45 deg. C
Construction	Aluminium frame, PMMA light guide plate and diffuser
Ingress Protection	IP20 (IP65 Opt. only for 6x6 and 3x12)
Impact Protection	IK02
Warranty	5 years

DIMENSIONS:



LOW GLARE MODELS (UGR<19)

Product Code	Description	Size	Power	Flux*
EEP1X12W20W840G3-LG	Panel G3 150x1200 White 4000K 20W, UGR<19 IP20	145 x 1195 x 11 mm	19.6 W	1,900 lm
EEP6X6W36W840G3-LG	Panel G3 600x600 White 4000K 36W, UGR<19 IP20	595 x 595 x 11 mm	36.8 W	4,300 lm
EEP3X12W36W840G3-LG	Panel G3 300x1200 White 4000K 36W, UGR<19 IP20	295 x 1195 x 11 mm	35.5 W	3,900 lm

STANDARD MODEL IP65

Product Code	Description	Size	Power	Flux**
EEP6X6W36W840G3-IP65	Panel G3 600x600 White 4000K 36W, IP65	595 x 595 x 38.5 mm	36.8 W	3,800 lm
EEP3X12W36W840G3-IP65	Panel G3 300x1200 White 4000K 36W, IP65	295 x 1195 x 38.5 mm	35.5 W	3,400 lm

Notes:

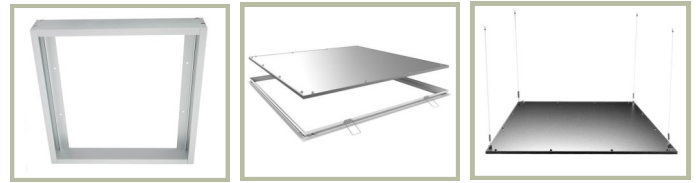
* All flux values shown here refer to 4000K specification.

** Flux values subject to confirmation

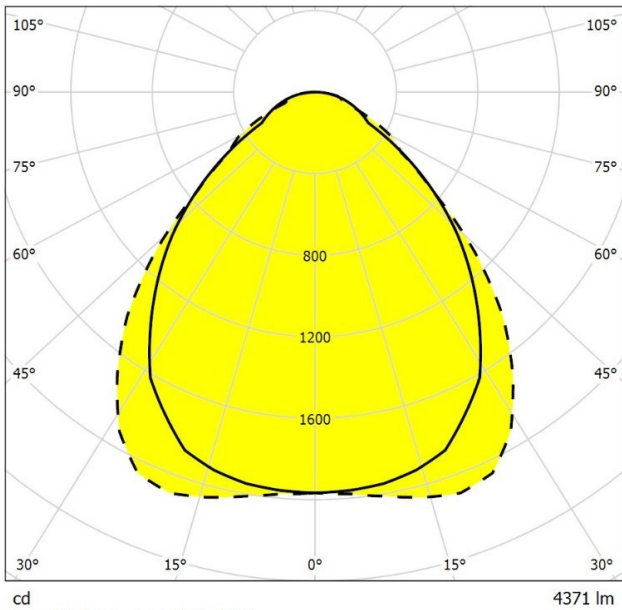
ACCESSORIES

Accessory	Description
Surface-mount kit	White metal frame, for 600 x 600 or 300 x 1200
Plaster recess kit	White recess frame with spring clips, all sizes
Suspension kit	Four-point stainless steel cable suspension

*Seismic restraints are included as standard (2 pcs.)



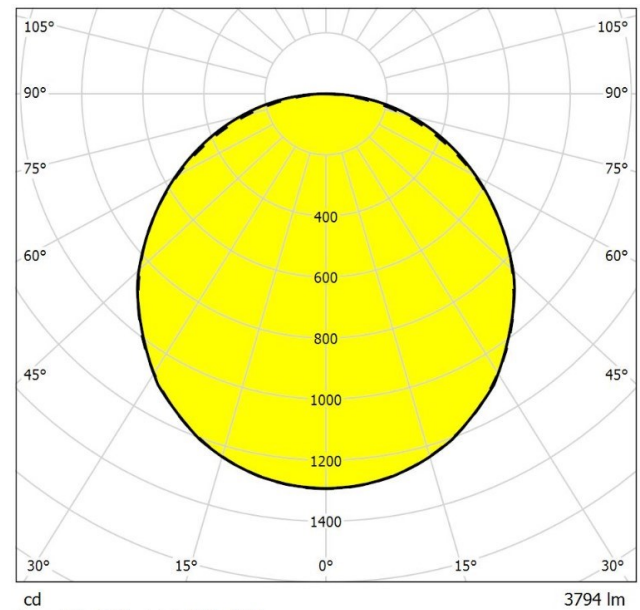
LIGHT DISTRIBUTION:



Low Glare Model IP20 (600x600, 36W)

Note:

Polar curves shown here relate to 300x1200 4000K versions; however, distribution is indicative of the performance of other size/CCT variants.



Standard Optic Model IP65 (600x600, 36W)

LUMEN MAINTENANCE:

Model	L70 (B10)	L80 (B10)	L90 (B10)	Ambient Temp.
150 x 1200 (UR<19)	80,000 hrs	50,000 hrs	22,000 hrs	25° C
600 x 600 (both optics)	80,000 hrs	50,000 hrs	22,000 hrs	25° C
300 x 1200 (both optics)	80,000 hrs	50,000 hrs	22,000 hrs	25° C

Lumen maintenance values have been calculated using TM-21 methods, based on LM-80 data and ISTMT data while operating in 25 deg. C ambient conditions. LM-80 data covers 9,000 hours, so predictions beyond 54,000 hours are outside of TM-21 reporting guidelines, and are provided here for indicative purposes only.

GLARE EVALUATION (UGR):

IP20 Models Low-glare (UGR<19) Optic

Model	Axial	Transverse
150 x 1200 (20W)	18.9	18.0
600 x 600 (36W)	13.3	13.4
300 x 1200 (40W)	12.9	10.7

IP65 Models Standard Optic

Model	Axial	Transverse
300 x 1200 (38 W)	15.3	14.6
300 x 1200 (54W)	15.3	14.6

UGR values determined by the tabular method for 4H x 8H room with 70%/50%/20% reflectances. For an accurate design-specific assessment of glare, please request IES files for your lighting software or contact us to help you with a simulation.