

6

5

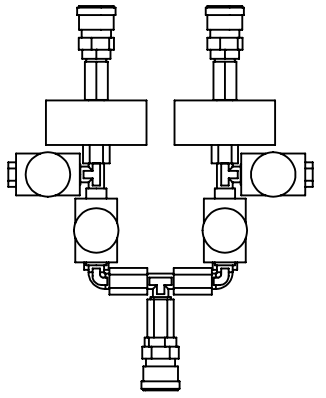
4

3

2

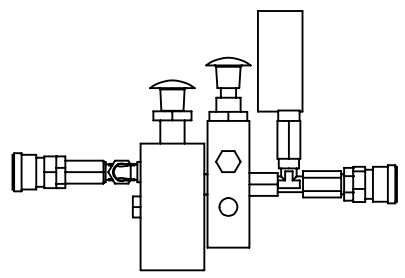
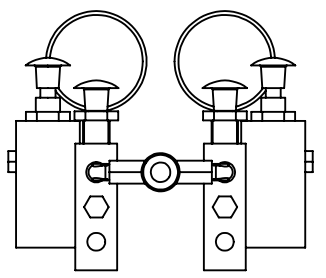
1

D

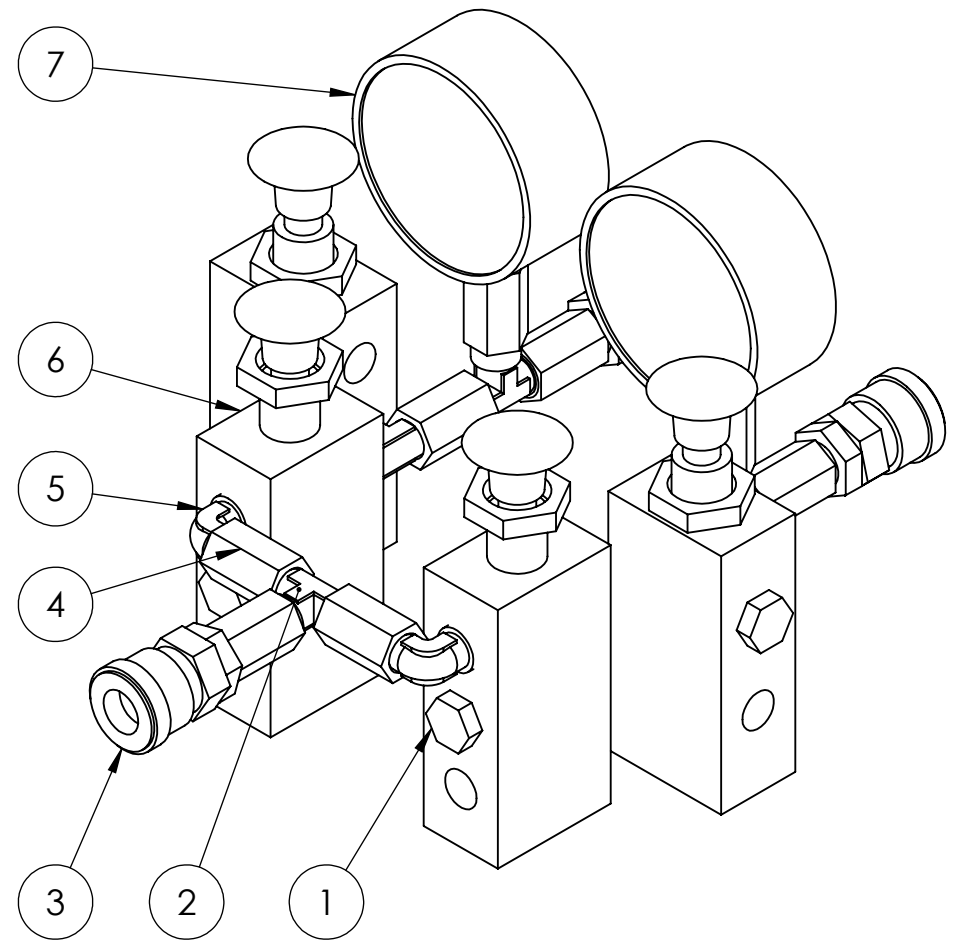


ITEM NO.	PART NUMBER	DWG NO.	QTY.
1	BLANKING PLUG	018	4
2	TEE	019	5
3	FEMALE CONNECTOR	012	3
4	HEX CONNECTOR	010	9
5	ELBOW	020	2
6	PUSH PULL VALVE	017	4
7	PRESSURE GAUGE	016	2

C



B




D

C

B

A

Tolerance class		Division of basic dimension								
Designation	Description	0.5 to	Over 0.5	Over 3	Over 6	Over 30	Over 120	Over 400	Over 1000	Over 2000
		up to 3	up to 6	up to 30	to 120	to 400	to 1000	to 2000	4000	
Permissible deviations										
f	fine	0.05	0.05	0.1	0.15	0.2	0.3	0.5	0.5	-
m	medium	0.1	0.1	0.2	0.3	0.5	0.5	1.2	2	-
c	coarse	0.2	0.3	0.5	0.8	1.2	2	3	4	-
v	very coarse	-	0.5	1	1.5	2.5	4	6	8	-

		FINISH:		N/A		N/A		DO NOT SCALE DRAWING		REVISION : A	
		<small>UNLESS OTHERWISE SPECIFIED: DIMENSIONS ARE IN MILLIMETERS TOLERANCE CLASS: M (PLEASE SEE TOLERANCE TABLE)</small>									
DRAWN		NAME		SIGNATURE		DATE		<h1>TITLE:</h1> <h2>CONTROL BOX INT ASSEMBLY</h2>			
CHK'D		BAJ				21/08/18					
APPV'D											
MFG											
Q.A								MATERIAL:		DWG NO.	
								MIXED		027	
								WEIGHT: N/A		SCALE - 1:5	
										SHEET 1 OF 1	

6

5

4

3

2

1

A