

D

D

C

C

B

B

A

A

6

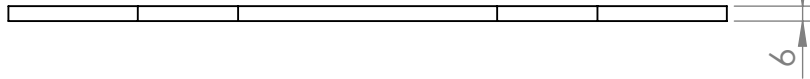
5

4

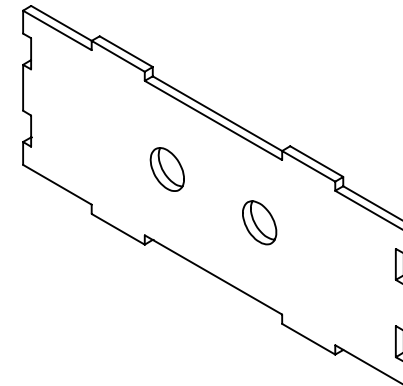
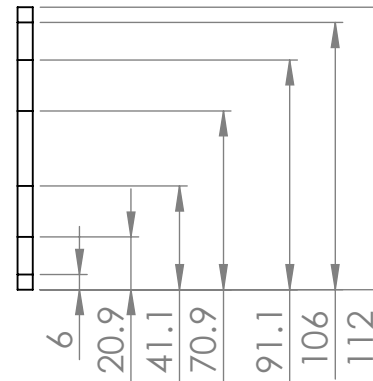
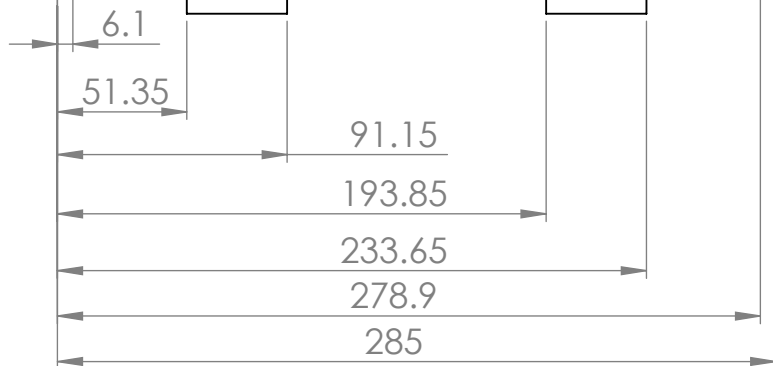
3

2

1



2  $\varnothing 25$   
PLACES



FINISH: N/A N/A

DO NOT SCALE DRAWING

REVISION : A

UNLESS OTHERWISE SPECIFIED:  
DIMENSIONS ARE IN MILLIMETERS  
TOLERANCE CLASS: M (PLEASE SEE TOLERANCE TABLE)

Tolerance class		Division of basic dimension							
Designation	Description	0.5 to	0.5 to	0.5 to	0.5 to	0.5 to	0.5 to	0.5 to	0.5 to
		up to 3	up to 6	up to 30	up to 120	up to 400	up to 1000	up to 2000	up to 4000
Permissible deviations									
f	fine	0.05	0.05	0.1	0.15	0.2	0.3	0.5	-
m	medium	0.1	0.1	0.2	0.3	0.5	0.8	1.2	2
c	coarse	0.2	0.3	0.5	0.8	1.2	2	3	4
v	very coarse	-	0.5	1	1.5	2.5	4	6	8

	NAME	SIGNATURE	DATE		
DRAWN	BAJ		15/08/18		
CHK'D					
APPV'D					
MFG					
Q.A					
				MATERIAL:	
				MDF	
				WEIGHT: N/A	

TITLE:	
<b>CONTROL BOX REAR</b>	
DWG NO.	<b>022</b>
SCALE: 1:3	SHEET 1 OF 1

6

5

4

3

2

1