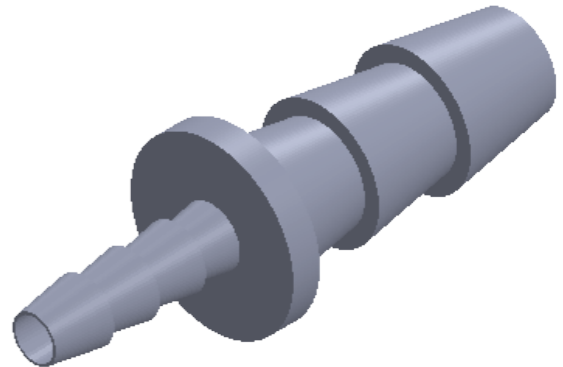


SECTION A-A
SCALE 1 : 1



REVISION				
SYM	GRID SYSTEM	DESCRIPTION	DR	DATE

UNLESS OTHERWISE SPECIFIED: DIMENSIONS ARE IN MILLIMETERS SURFACE FINISH: A-3 / 0.05Ra (µm) TOLERANCES: X.XX ±0.35 X.X ±0.75 X, ±1.50 ANGULAR: ±0°30'		FINISH: MANUAL SANDING & DEBURRING	DEBURR AND BREAK SHARP EDGES
NAME	SIGNATURE	DATE	
DRAWN BRYNMOR JOHN		26/04/19	
CHK'D			
APPV'D			
MFG			
Q.A			
MATERIAL: ABS		WEIGHT: N/A	

DO NOT SCALE DRAWING		REVISION : A
3RD ANGLE PROJ.	FIELD READY	
TITLE: HOSE ADAPTER 0.75X1-0.375X1		
DWG NO. HL021	A3	
SCALE: 1:1	SHEET 1 OF 1	