

6

5

4

3

2

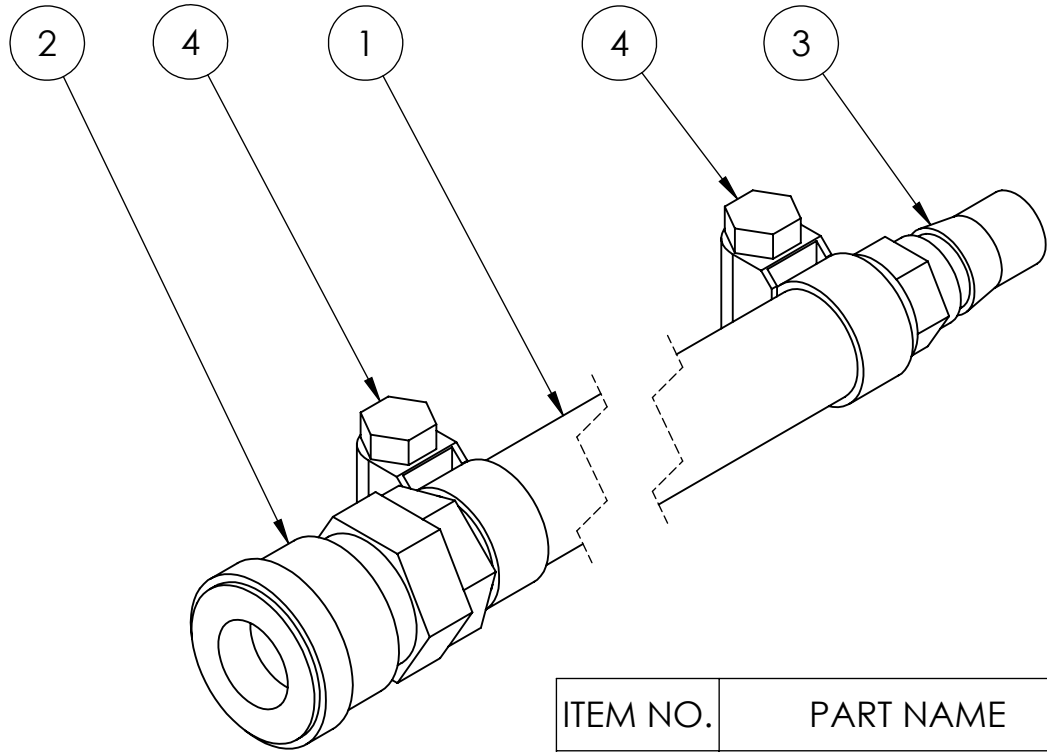
1

D

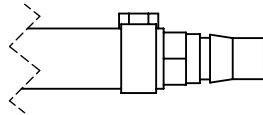
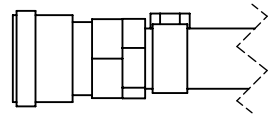
C

B

A




ITEM NO.	PART NAME	DWG NO.	QTY.
1	AIR HOSE	014	1
2	FEMALE CONNECTOR	012	1
3	MALE CONNECTOR	011	1
4	HOSE CLAMP	013	2



NOTE : THREE HOSE ASSEMBLIES PER SET

Tolerance class		Division of basic dimension							
Designation	Description	0.5 to up to 3	Over 3 up to 6	Over 6 up to 30	Over 30 up to 120	Over 120 up to 400	Over 400 up to 1000	Over 1000 up to 2000	Over 2000 up to 4000
		Permissible deviations							
f	fine	0.05	0.05	0.1	0.15	0.2	0.3	0.5	-
m	medium	0.1	0.1	0.2	0.3	0.5	0.8	1.2	2
c	coarse	0.2	0.3	0.5	0.8	1.2	2	3	4
v	very coarse	-	0.5	1	1.5	2.5	4	6	8

		FINISH:		N/A		N/A		DO NOT SCALE DRAWING		REVISION : A	
		UNLESS OTHERWISE SPECIFIED: DIMENSIONS ARE IN MILLIMETERS TOLERANCE CLASS: M (PLEASE SEE TOLERANCE TABLE)									
DRAWN		NAME		SIGNATURE		DATE		TITLE: <h1 style="text-align: center;">HOSE ASSEMBLY</h1>			
CHK'D		BAJ				21/08/18					
APPV'D											
MFG											
Q.A								MATERIAL:		DWG NO.	
								MIXED		028	
								WEIGHT: N/A		SCALE - 1:2	
										SHEET 1 OF 1	

6

5

4

3

2

1

A

A