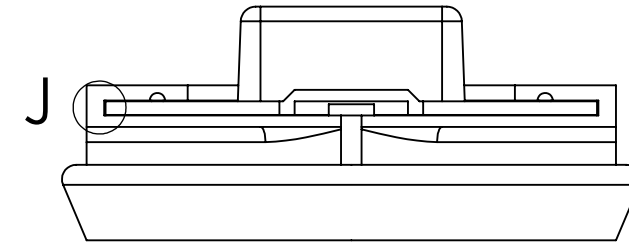
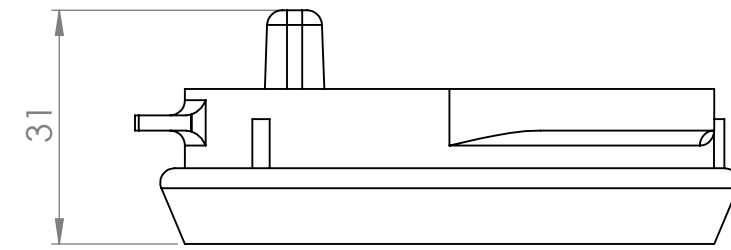
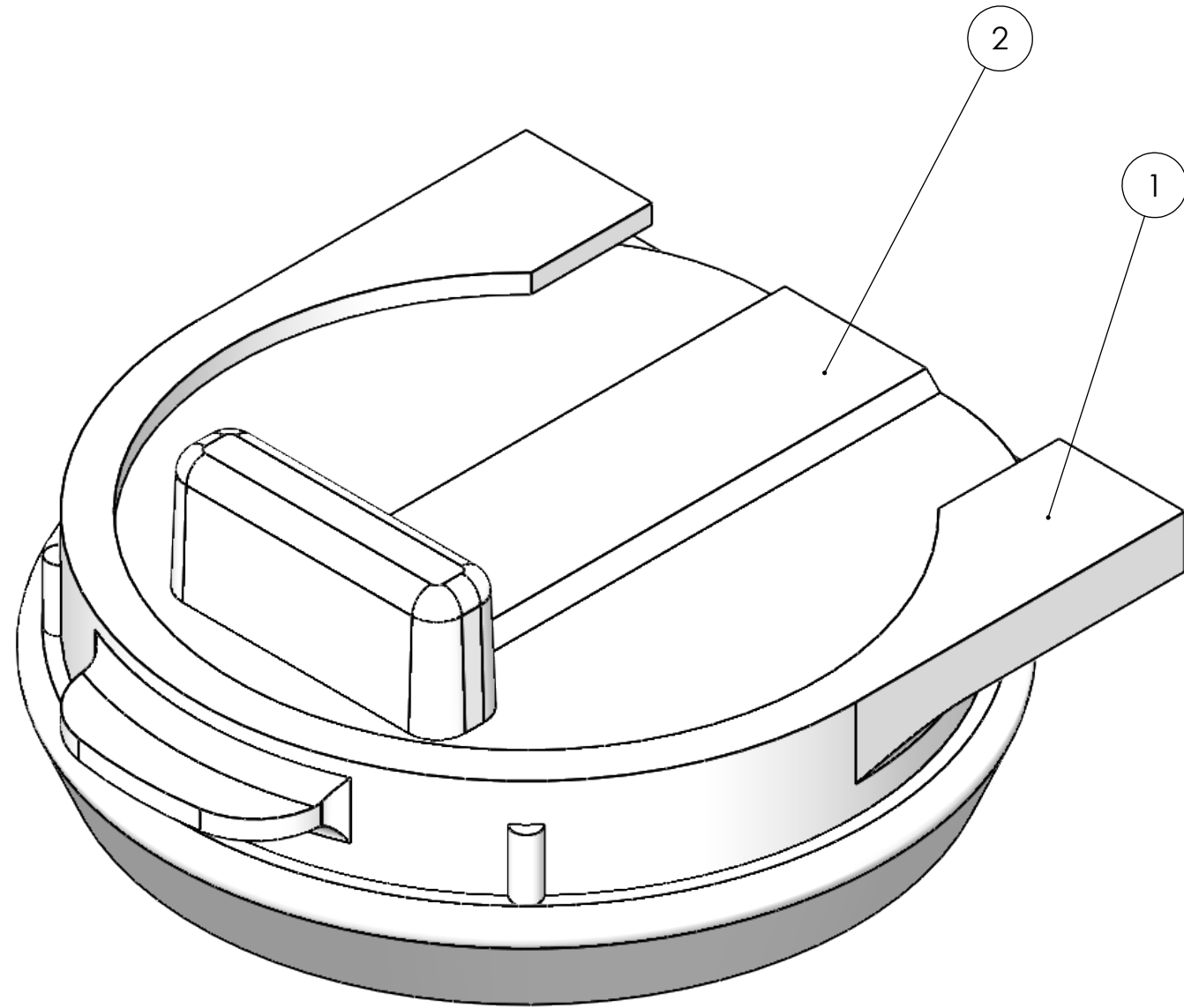
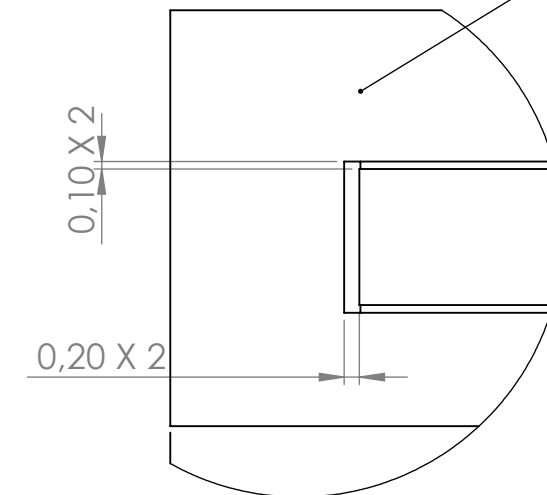


BOM Table Sharpsbox

ITEM NO.	PART NUMBER	DESCRIPTION	QTY.	MATERIAL
1	CAP	Cap for sharpsbox	1	ABS
2	LID	Lid for sharpsbox	1	ABS


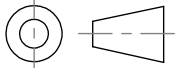


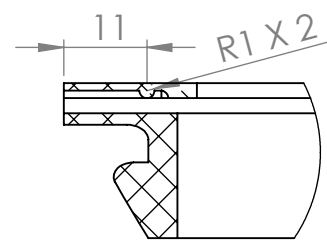
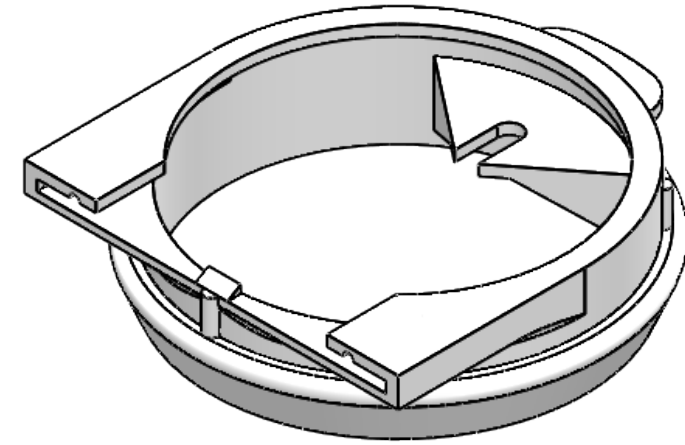
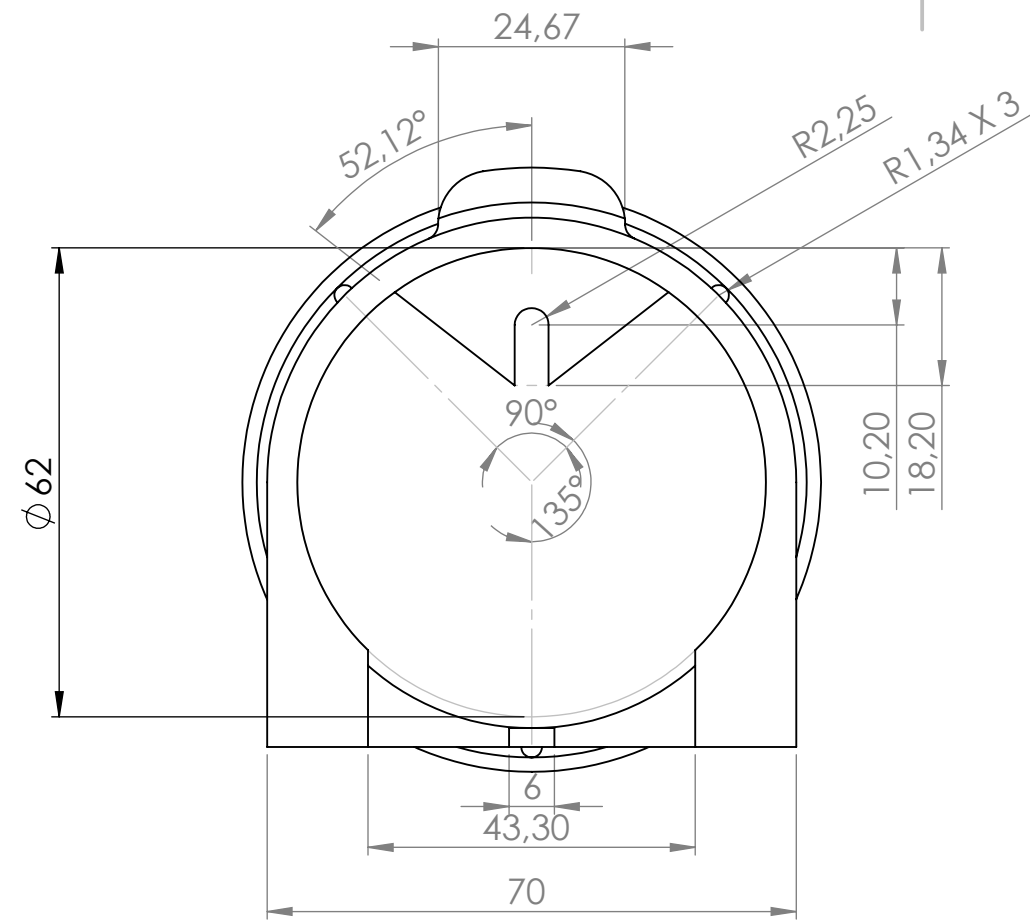
Slack in the Cap- Lid connection



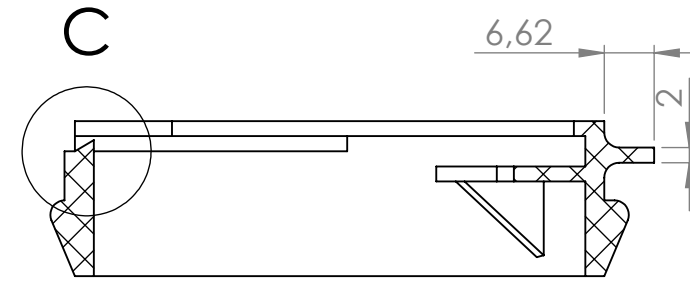
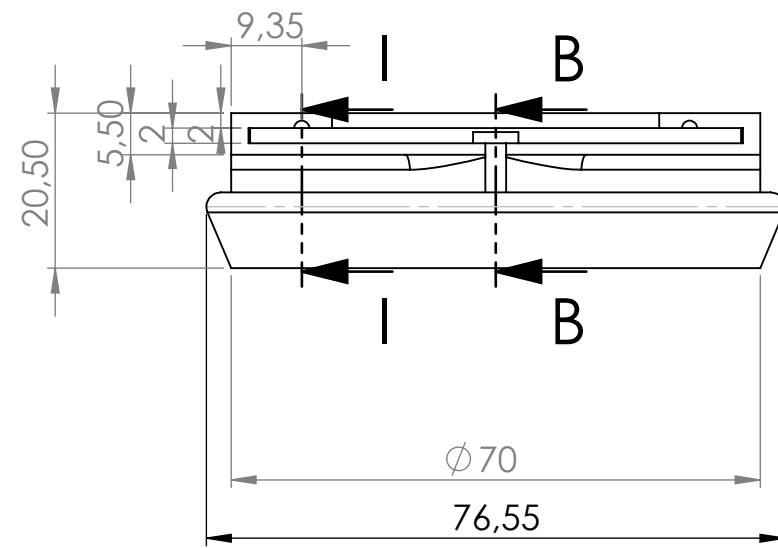
DETAIL J

SCALE 10 : 1

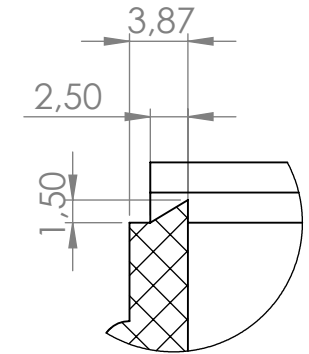
Assembly Sharpsbox			Drawingnumber: 0	
Industriel Product Ontwerpen  Hogeschool Rotterdam G.J. de Jonghweg 4 - 6 3015 GG Rotterdam	Drawing by: Maarten Smit	Checked by: Douwe Bleeker	Material: ABS	3rd Angle Projection 
	Signature:	Signature:	Volume:	Unit: mm
Subject: Sharpsbox	Date: 12-12-2017	Dimensional tolerance:	Surface area:	Scale: 1:1
Revision: A			Geometrical tolerance:	Weight:
Not for production, reference only				Paper size: A3
				Sheet: 1/3




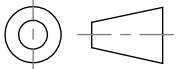
SECTION I-I

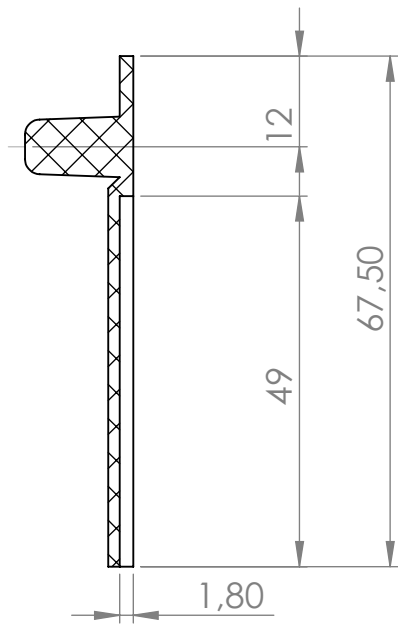
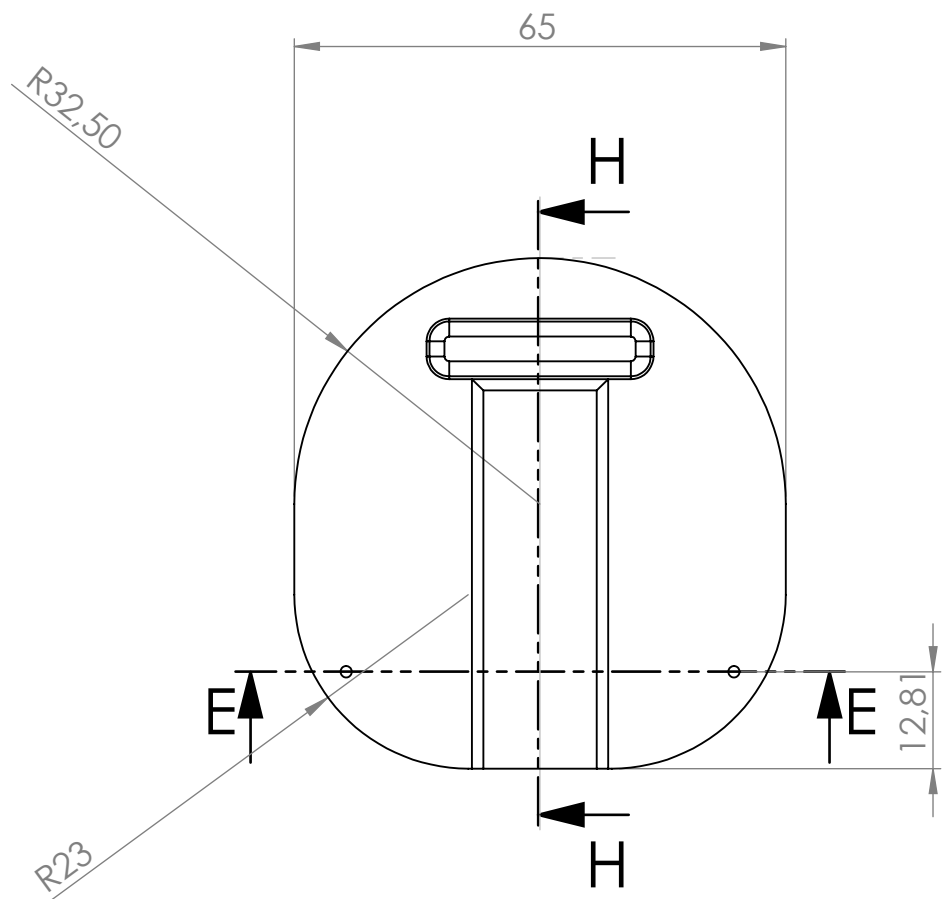


SECTION B-B

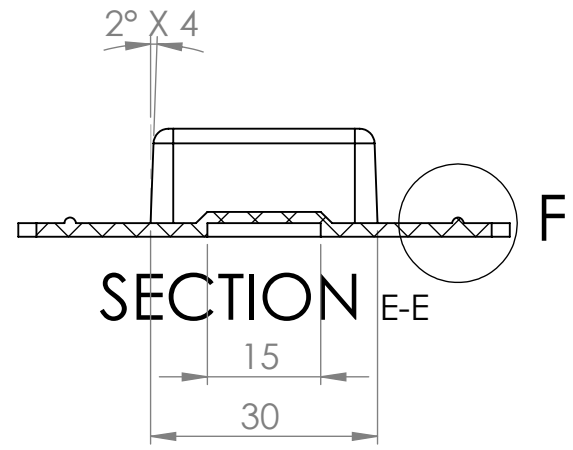
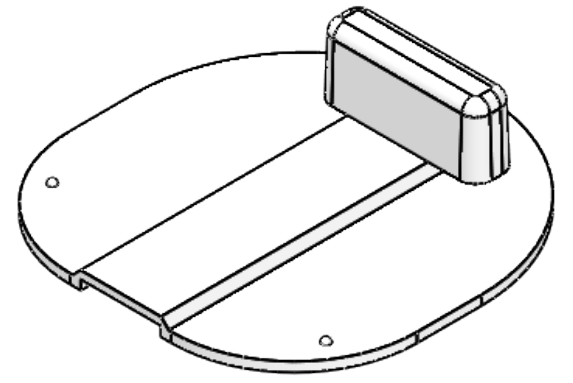


DETAIL C
SCALE 2 : 1

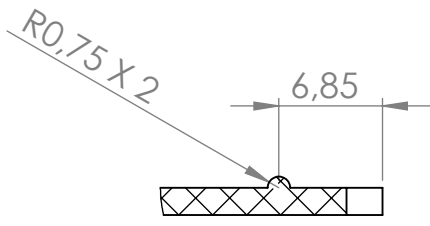
Partname: CAP		Drawingnumber: 1		
Industriel Product Ontwerpen  Hogeschool Rotterdam G.J. de Jonghweg 4 - 6 3015 GG Rotterdam	Drawing by: Maarten Smit	Checked by: Douwe Bleeker	Material: ABS	3rd Angle Projection 
	Signature:	Signature:	Volume: 18452,14 mm ³	Unit: mm
Subject: Sharpsbox	Date: 12-12-2017	Dimensional tolerance:	Surface area: 14217,76 mm ²	Scale: 1:1
			Weight: 18,82 g	Paper size: A3
Not for production, reference only				Sheet: 2/3



SECTION H-H


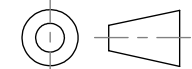


SECTION E-E



DETAIL F

SCALE 2 : 1

Partname: LID		Drawingnumber: 2		
Industriel Product Ontwerpen  Hogeschool Rotterdam G.J. de Jonghweg 4 - 6 3015 GG Rotterdam	Drawing by: Maarten Smit	Checked by: Douwe Bleeker	Material: ABS	3rd Angle Projection 
	Signature:	Signature:	Volume: 9269 mm ³	Unit: mm
Subject: Sharpsbox	Date: 12-12-2017	Dimensional tolerance:	Surface area: 886655 mm ²	Scale: 1:1
	Revision: A	Geometrical tolerance:	Weight: 9,45 g	Paper size: A3
Not for production, reference only				Sheet: 3/3