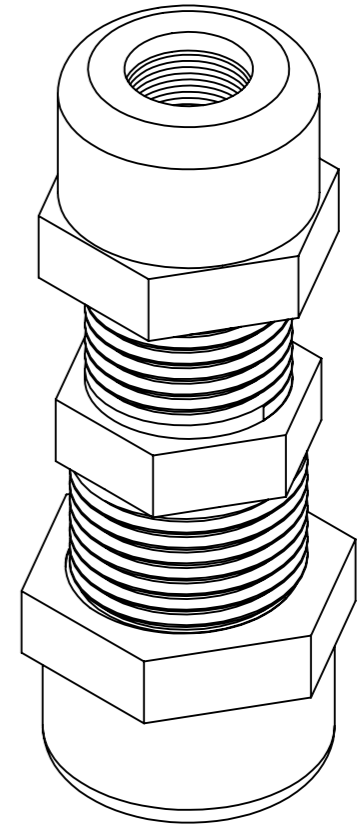
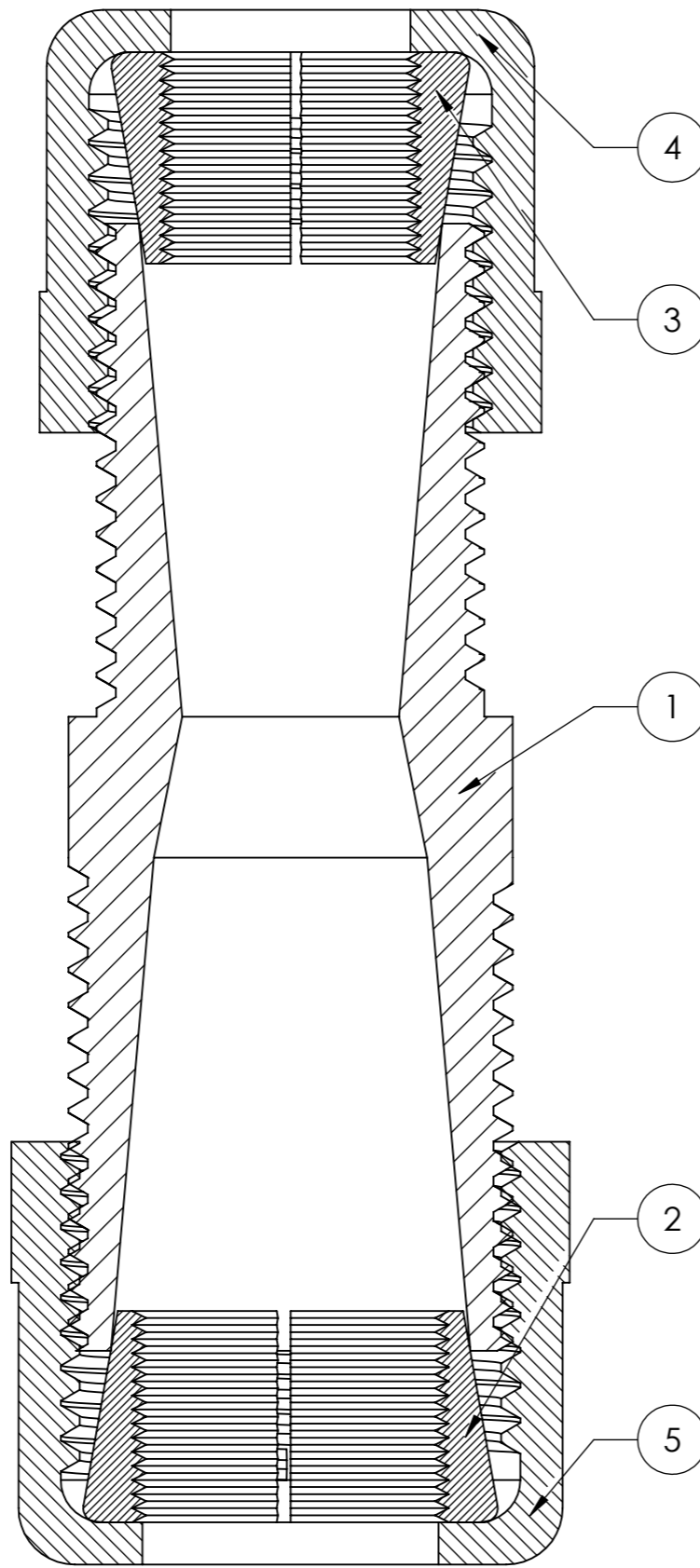
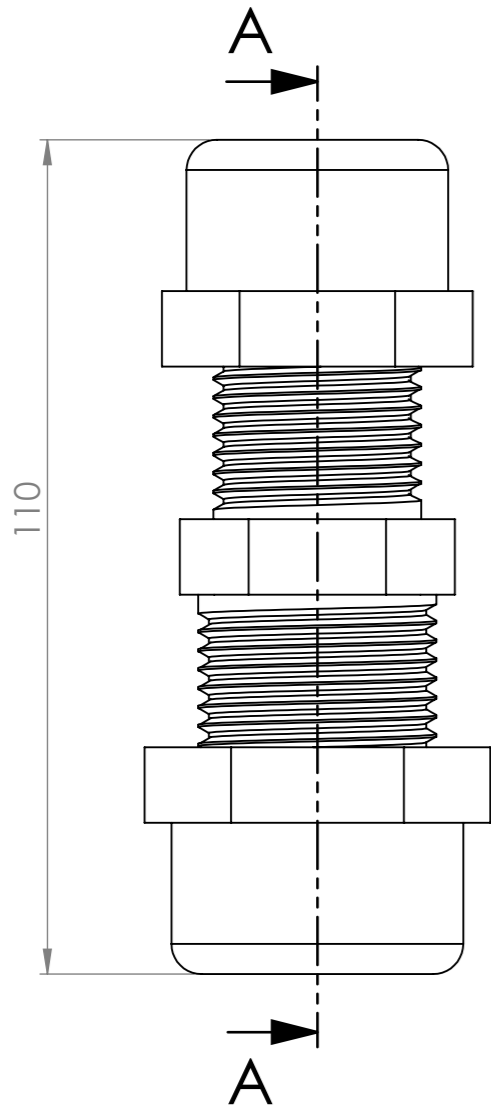


SECTION A-A
SCALE 2:1

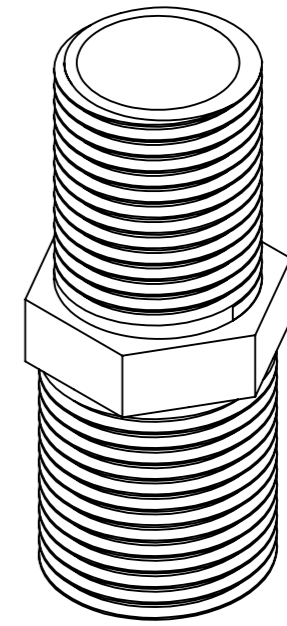
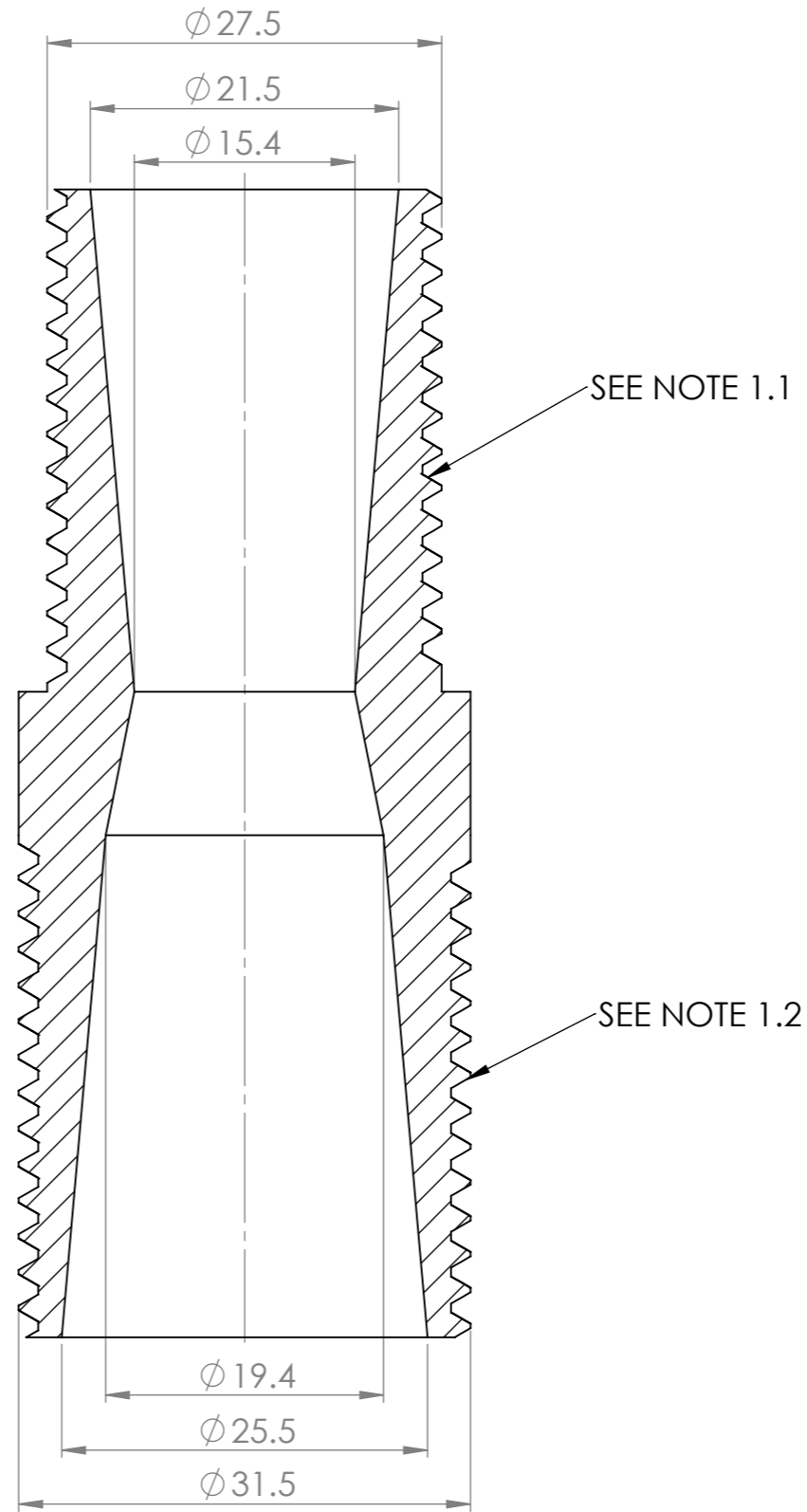
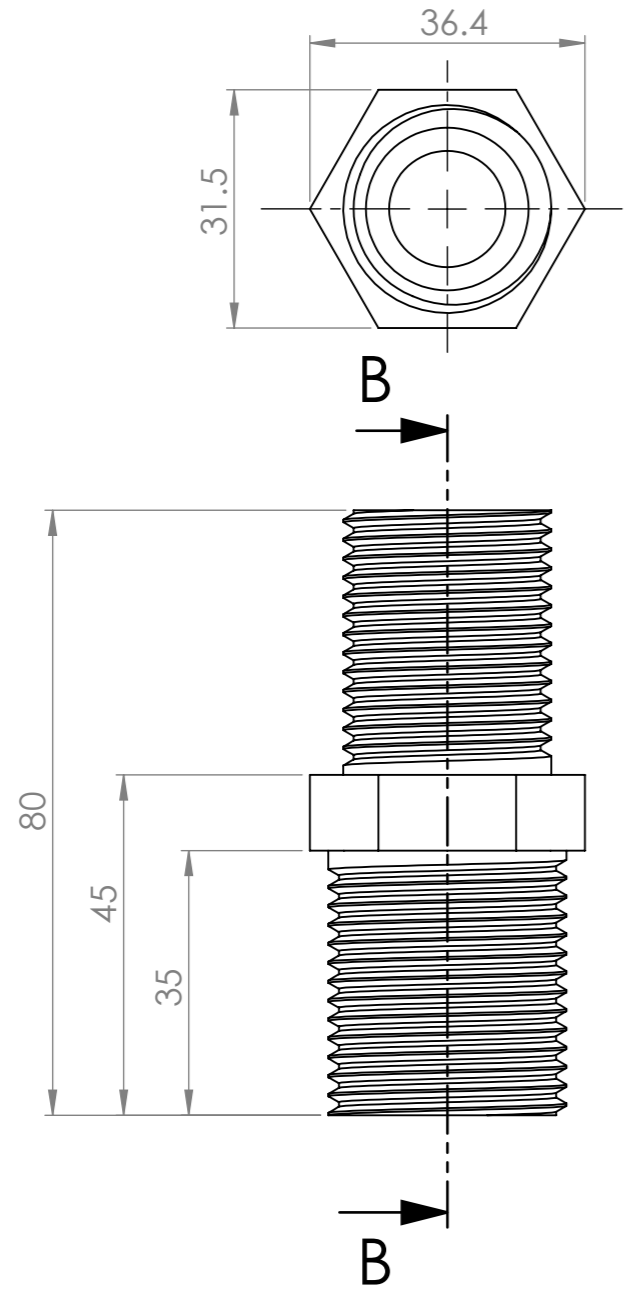


ITEM NO.	TITLE	DWG NO.	QTY.
1	BODY 16.5 - 20.5	002	1
2	OLIVE 16.5	003	1
3	OLIVE 20.5	004	1
4	SLEEVE 16.5	005	1
5	SLEEVE 20.5	006	1

UNLESS OTHERWISE SPECIFIED: DIMENSIONS ARE IN MILLIMETERS SURFACE FINISH: TOLERANCES: LINEAR: ANGULAR:		FINISH: MIXED	DEBURR AND BREAK SHARP EDGES	DO NOT SCALE DRAWING	REVISION : A
NAME	SIGNATURE	DATE	TITLE: PIPE FITTING ASSEMBLY		
DRAWN Tom van der Vaart		29-05-18	DWG NO. 001		
CHK'D			A3		
APPV'D			SCALE:1:1		
MFG			SHEET 1 OF 1		
Q.A			MATERIAL: PET		
			WEIGHT:		

SECTION B-B

SCALE 2 : 1



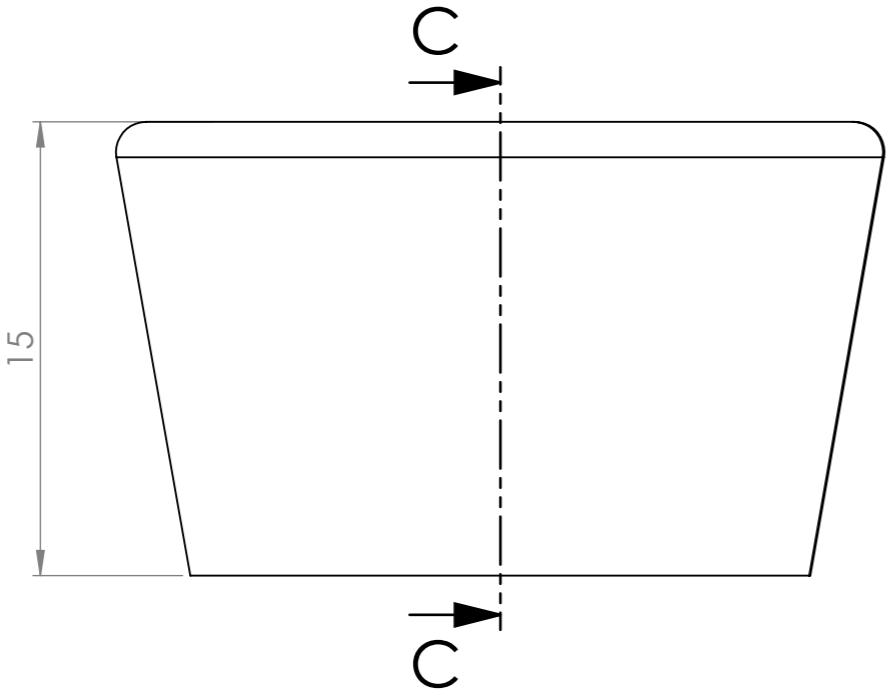
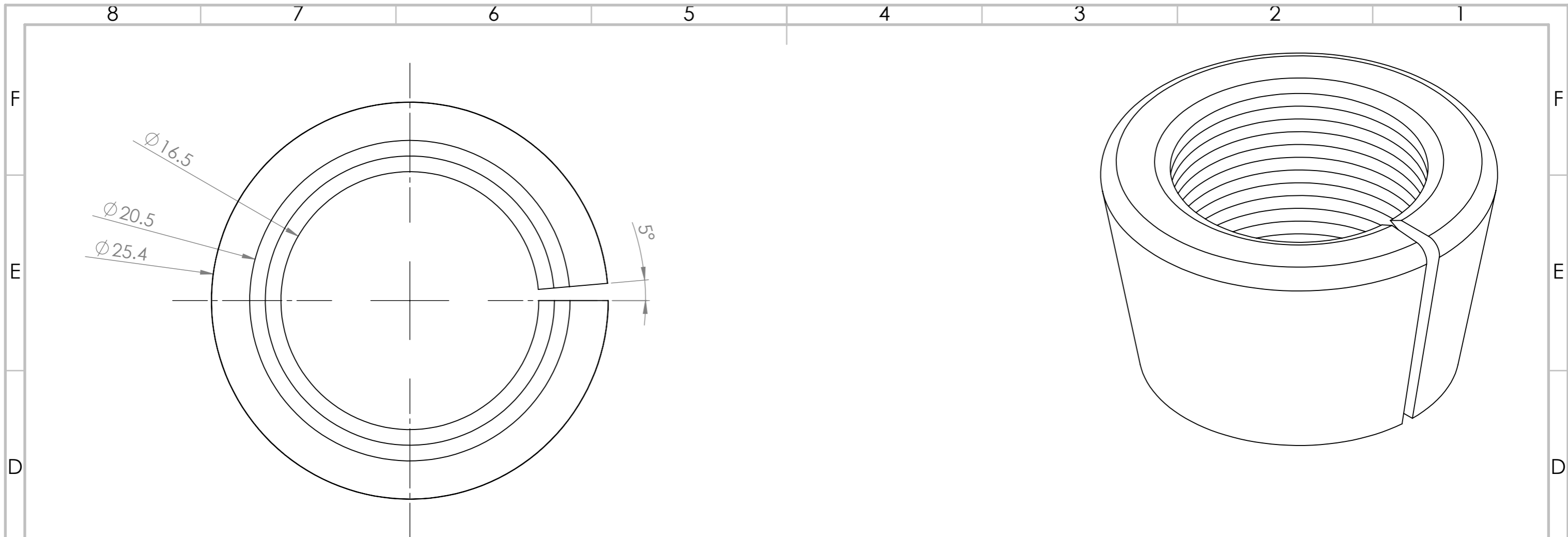
NOTES:

1.1 PLEASE ADD DETAIL OF THREAD DESIGN OR QUOTE RELIVENT SECTION IN USER MANUAL

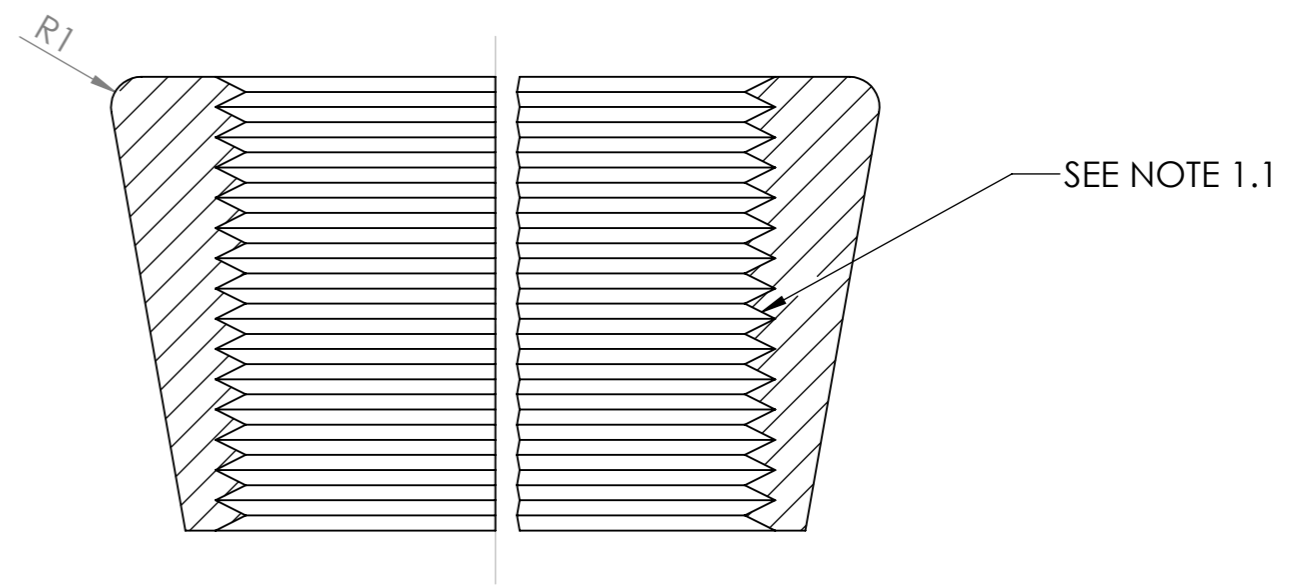
1.2 PLEASE ADD DETAIL OF THREAD DESIGN OR QUOTE RELIVENT SECTION IN USER MANUAL

1.3 PLEASE ADD DETAIL OF VAPOR SMOOTH PROCEDURE OR QUOTE RELIVENT SECTION IN USER MANUAL

UNLESS OTHERWISE SPECIFIED: DIMENSIONS ARE IN MILLIMETERS SURFACE FINISH: TOLERANCES: LINEAR: ANGULAR:			FINISH: SEE NOTE 1.3		DEBURR AND BREAK SHARP EDGES	DO NOT SCALE DRAWING	REVISION : A
						TITLE: BODY 16.5 - 20.5	
DRAWN	NAME Tom van der Vaart	SIGNATURE	DATE 29-05-18			DWG NO. 002	A3
CHK'D						SCALE: 1:1	
APPV'D						SHEET 2 OF 6	
MFG				MATERIAL: PET			
Q.A							

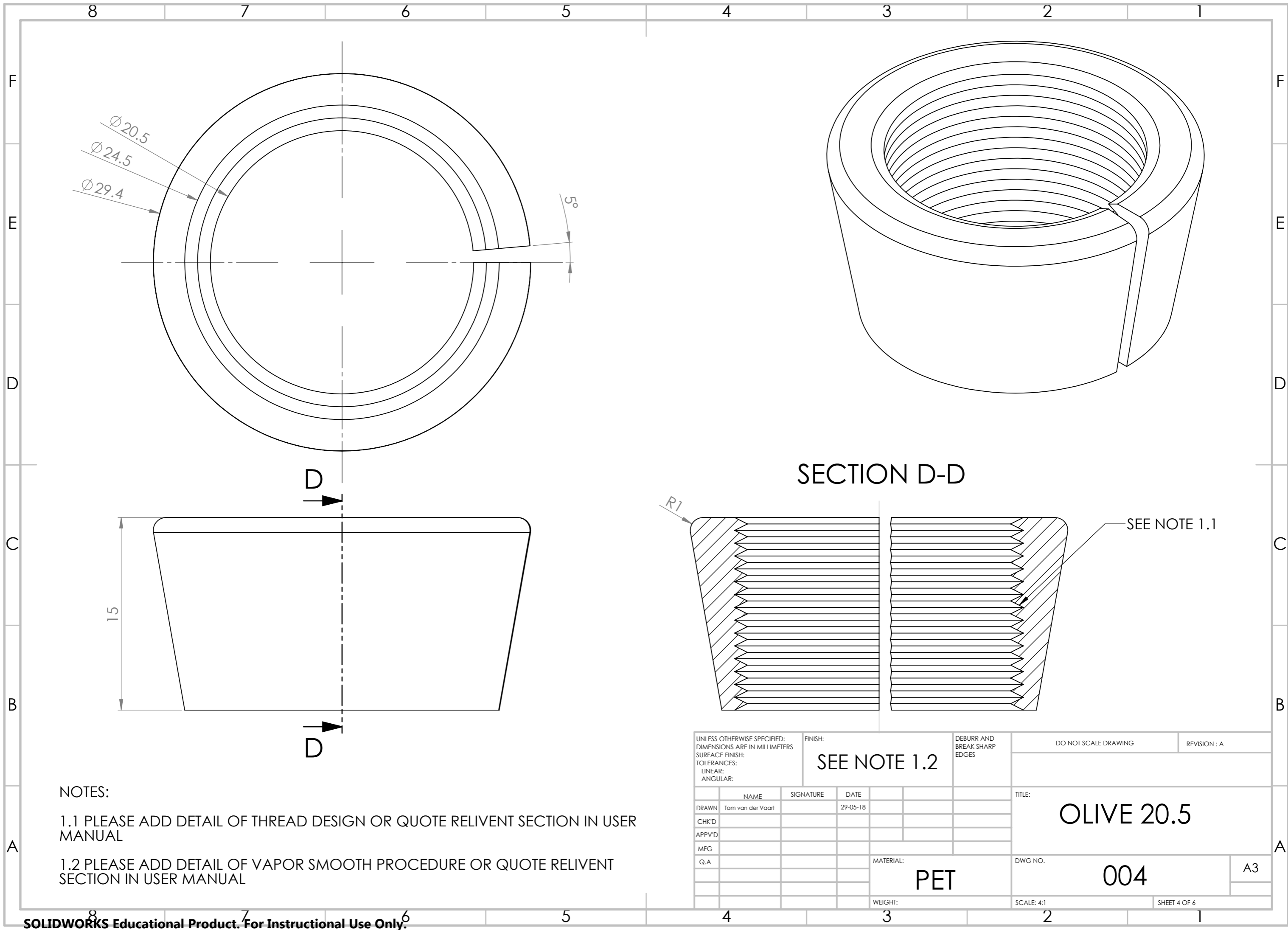


SECTION C-C



- NOTES:
- 1.1 PLEASE ADD DETAIL OF THREAD DESIGN OR QUOTE RELIVENT SECTION IN USER MANUAL
 - 1.2 PLEASE ADD DETAIL OF VAPOR SMOOTH PROCEDURE OR QUOTE RELIVENT SECTION IN USER MANUAL

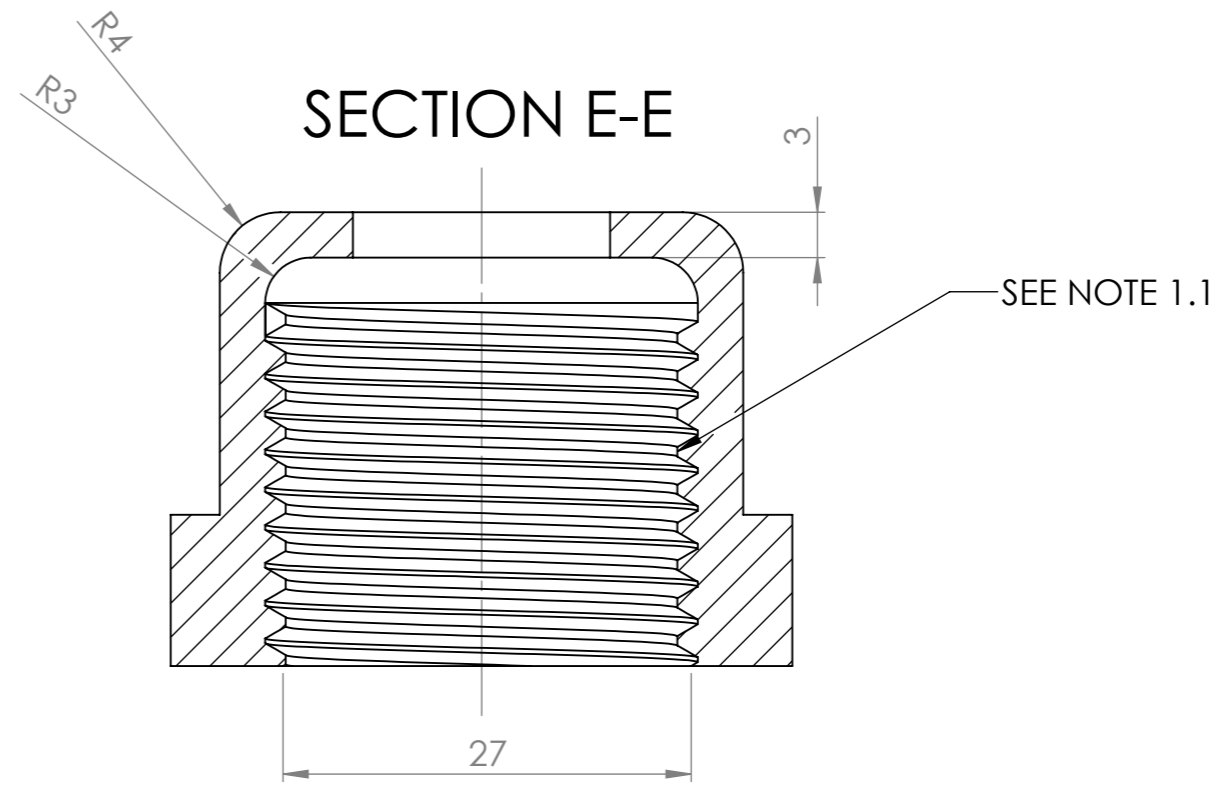
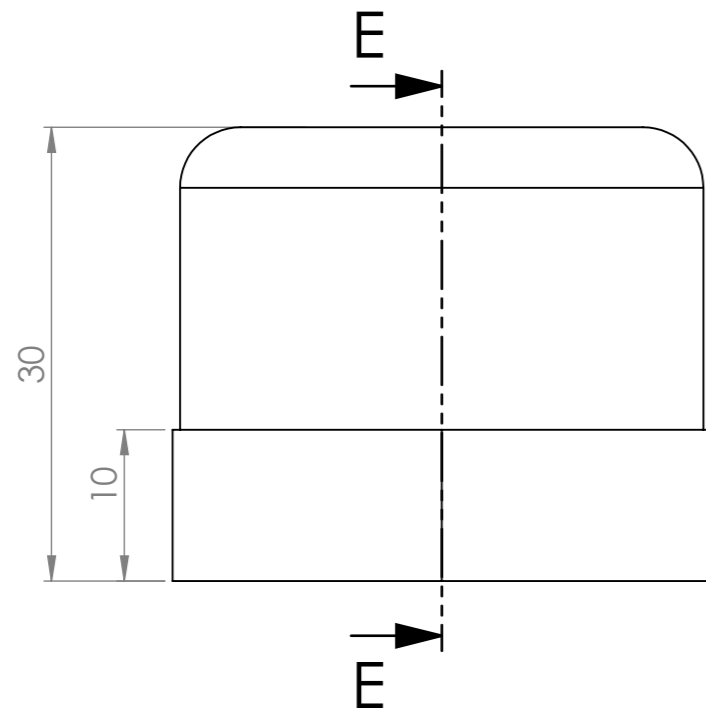
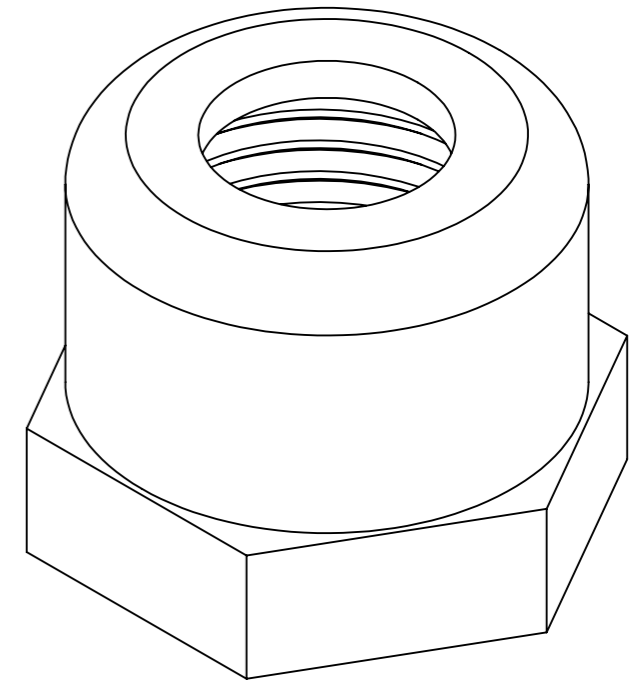
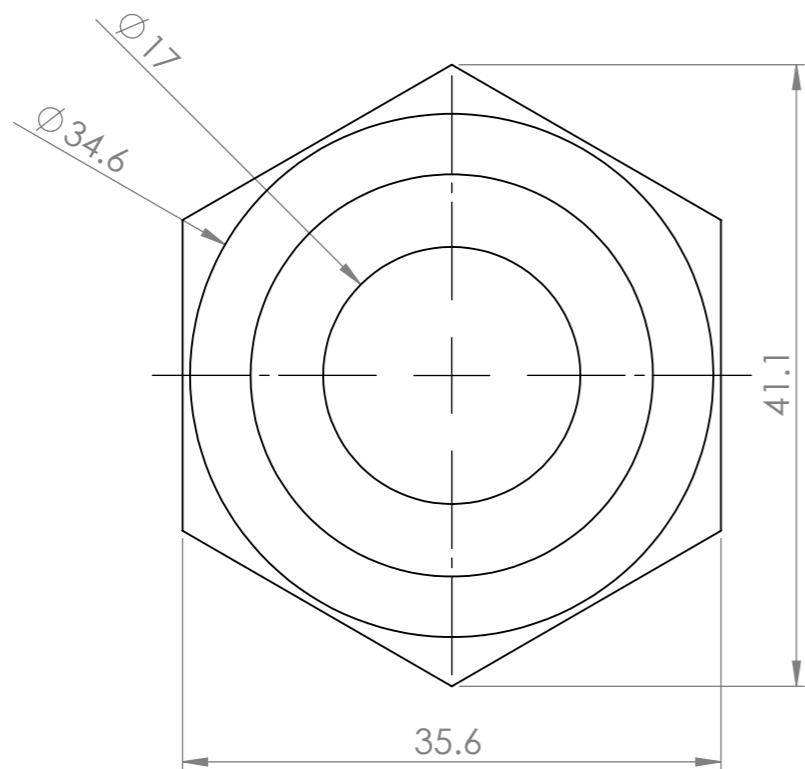
UNLESS OTHERWISE SPECIFIED: DIMENSIONS ARE IN MILLIMETERS		FINISH: SEE NOTE 1.2		DEBURR AND BREAK SHARP EDGES		DO NOT SCALE DRAWING		REVISION : A	
SURFACE FINISH:									
TOLERANCES:									
LINEAR:									
ANGULAR:									
DRAWN Tom van der Vaart		SIGNATURE		DATE 29-05-18		TITLE: OLIVE 16.5			
CHK'D						DWG NO. 003		A3	
APPV'D						MATERIAL: PET			
MFG						WEIGHT:		SCALE: 4:1	
Q.A								SHEET 3 OF 6	



NOTES:

- 1.1 PLEASE ADD DETAIL OF THREAD DESIGN OR QUOTE RELIVENT SECTION IN USER MANUAL
- 1.2 PLEASE ADD DETAIL OF VAPOR SMOOTH PROCEDURE OR QUOTE RELIVENT SECTION IN USER MANUAL

UNLESS OTHERWISE SPECIFIED: DIMENSIONS ARE IN MILLIMETERS		FINISH: SEE NOTE 1.2		DEBURR AND BREAK SHARP EDGES		DO NOT SCALE DRAWING		REVISION : A	
SURFACE FINISH:									
TOLERANCES:									
LINEAR:									
ANGULAR:									
DRAWN Tom van der Vaart		SIGNATURE		DATE 29-05-18		TITLE: OLIVE 20.5			
CHK'D									
APPV'D									
MFG									
Q.A				MATERIAL: PET		DWG NO. 004		A3	
				WEIGHT:		SCALE: 4:1		SHEET 4 OF 6	

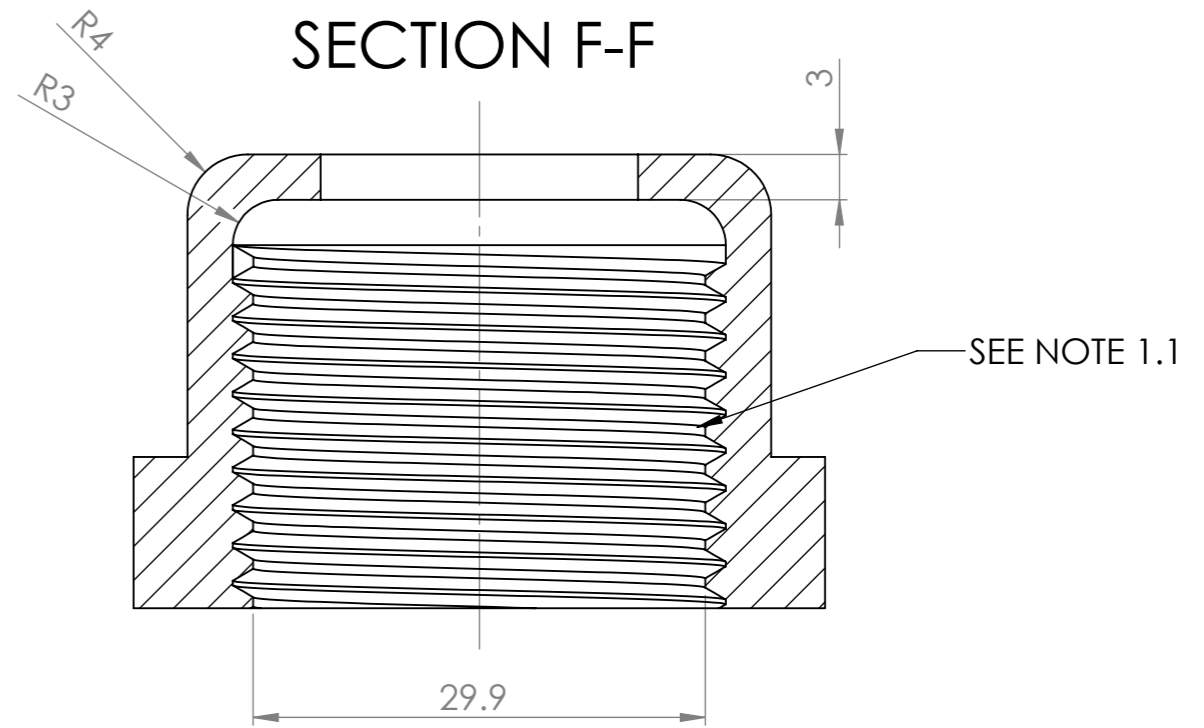
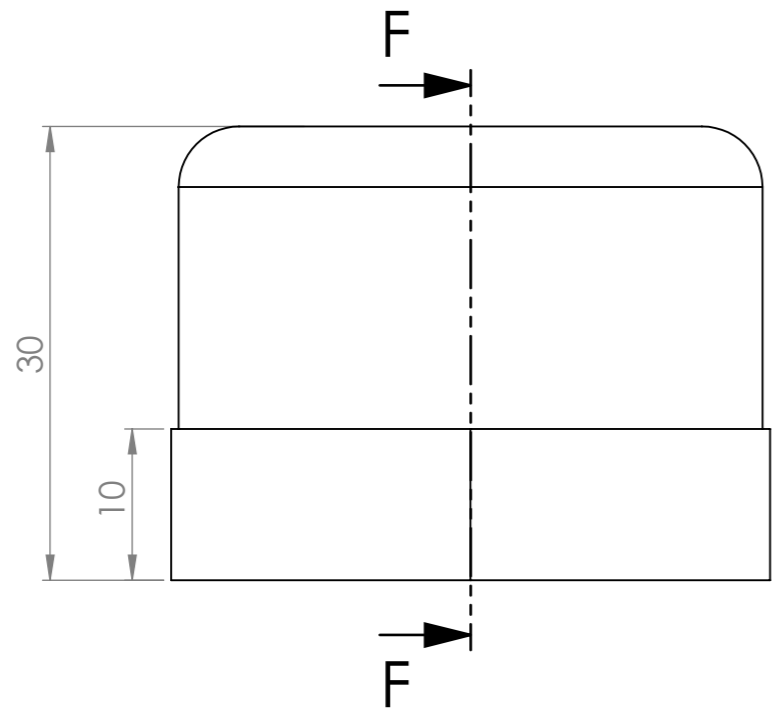
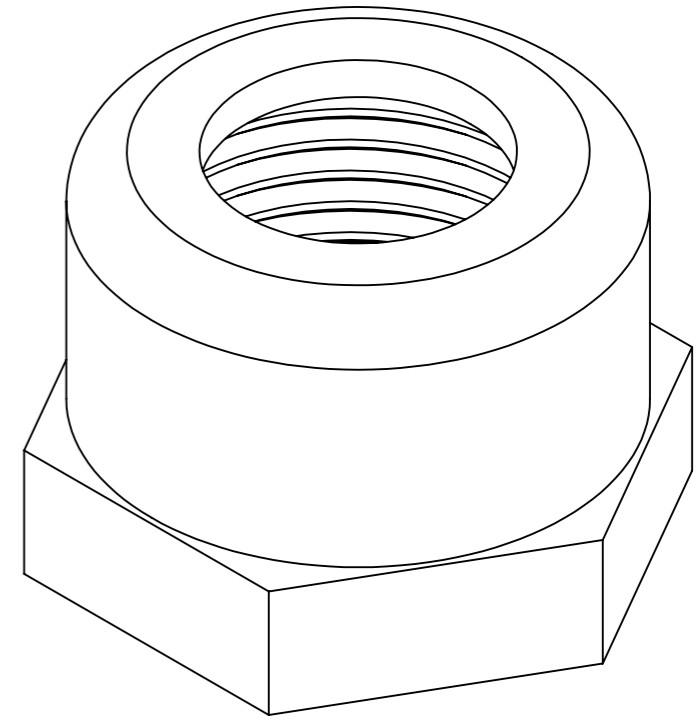
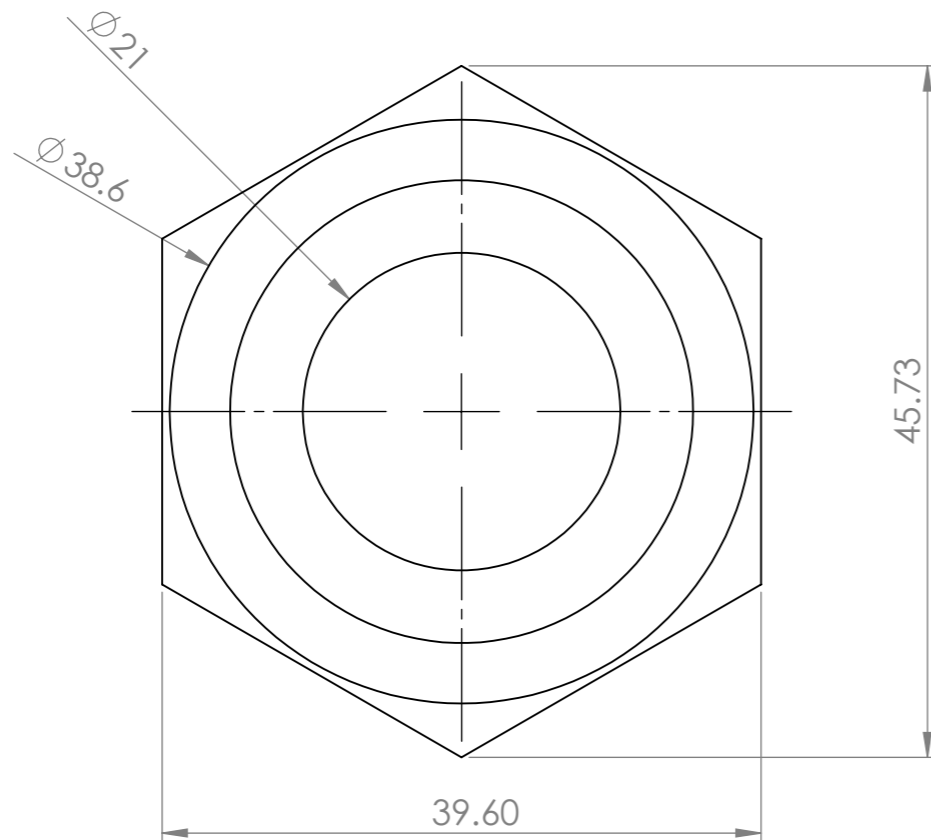


NOTES:

1.1 PLEASE ADD DETAIL OF THREAD DESIGN OR QUOTE RELIVENT SECTION IN USER MANUAL

1.2 PLEASE ADD DETAIL OF VAPOR SMOOTH PROCEDURE OR QUOTE RELIVENT SECTION IN USER MANUAL

UNLESS OTHERWISE SPECIFIED: DIMENSIONS ARE IN MILLIMETERS		FINISH: SEE NOTE 1.2		DEBURR AND BREAK SHARP EDGES		DO NOT SCALE DRAWING		REVISION : A	
SURFACE FINISH:									
TOLERANCES:									
LINEAR:									
ANGULAR:									
DRAWN Tom van der Vaart		SIGNATURE		DATE 29-05-18		TITLE:		SLEEVE 16.5	
CHK'D									
APPV'D									
MFG									
Q.A				MATERIAL:		PET		DWG NO. 005	
				WEIGHT:				SCALE:2:1	
								SHEET 5 OF 6	



NOTES:

1.1 PLEASE ADD DETAIL OF THREAD DESIGN OR QUOTE RELIVENT SECTION IN USER MANUAL

1.2 PLEASE ADD DETAIL OF VAPOR SMOOTH PROCEDURE OR QUOTE RELIVENT SECTION IN USER MANUAL

UNLESS OTHERWISE SPECIFIED: DIMENSIONS ARE IN MILLIMETERS SURFACE FINISH: TOLERANCES: LINEAR: ANGULAR:			FINISH: SEE NOTE 1.2		DEBURR AND BREAK SHARP EDGES	DO NOT SCALE DRAWING	REVISION : A
						TITLE: SLEEVE 20.5	
DRAWN Tom van der Vaart			SIGNATURE		DATE 29-05-18	DWG NO. 006	
CHK'D			MFG		MATERIAL: PET		A3
APPV'D			Q.A		WEIGHT:		SCALE:2:1
						SHEET 6 OF 6	