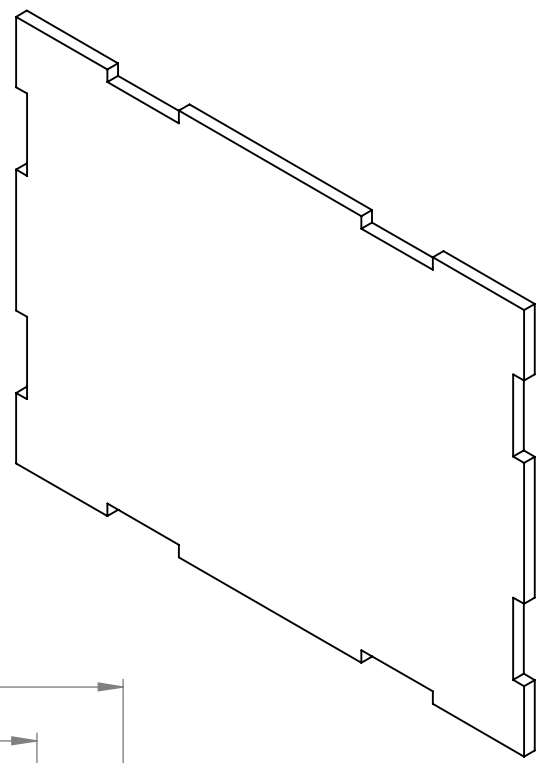
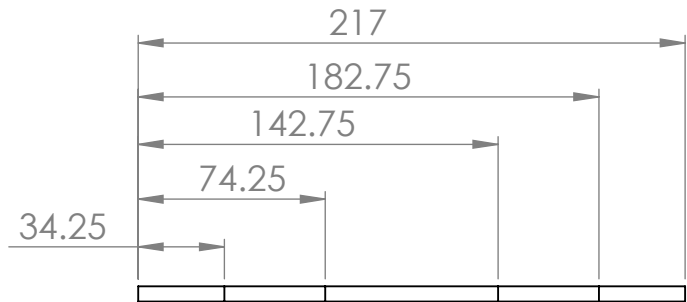
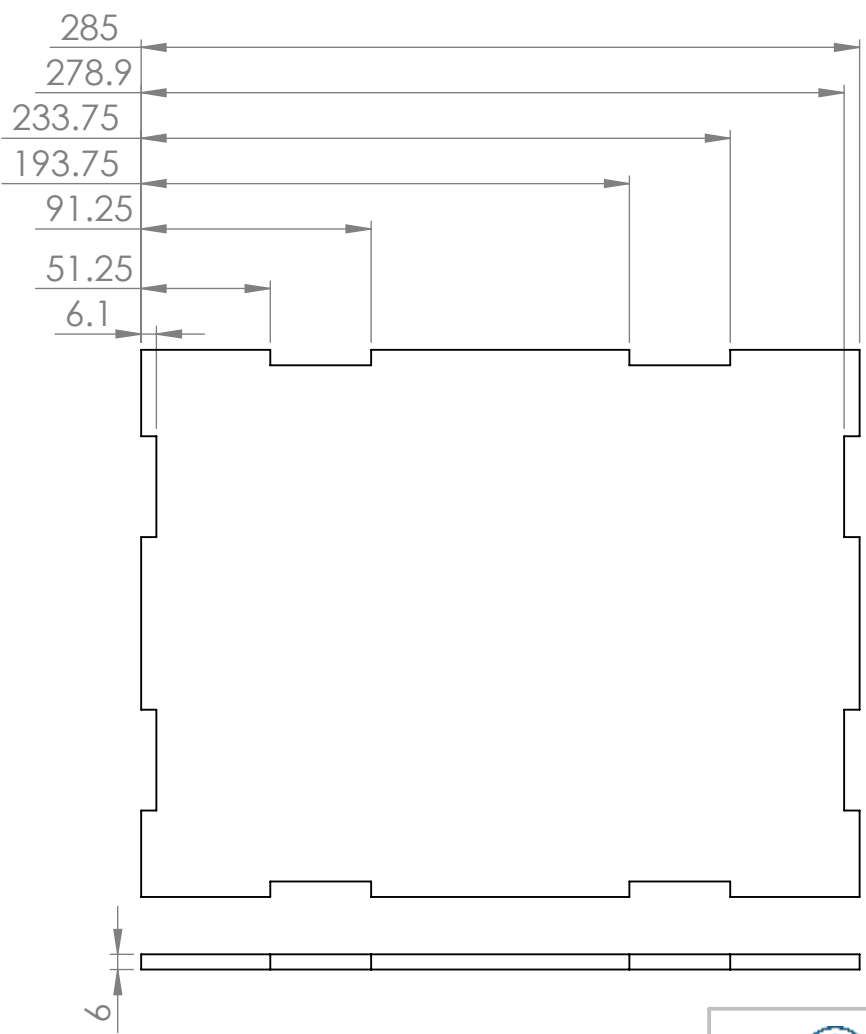


6 5 4 3 2 1



D

C


B

D

C

B

Tolerance class		Division of basic dimension							
Designation	Description	0.5 to	Over 0.5	Over 3	Over 6	Over 30	Over 120	Over 400	Over 1000
		up to 3	up to 6	up to 30	up to 120	up to 400	up to 1000	up to 2000	up to 4000
Permissible deviations									
f	fine	0.05	0.05	0.1	0.15	0.2	0.3	0.5	-
m	medium	0.1	0.1	0.2	0.3	0.5	0.8	1.2	2
c	coarse	0.2	0.3	0.5	0.8	1.2	2	3	4
v	very coarse	-	0.5	1	1.5	2.5	4	6	8

		FINISH:		N/A		N/A		DO NOT SCALE DRAWING		REVISION : A	
		<small>UNLESS OTHERWISE SPECIFIED: DIMENSIONS ARE IN MILLIMETERS TOLERANCE CLASS: M (PLEASE SEE TOLERANCE TABLE)</small>									
DRAWN		NAME		SIGNATURE		DATE		TITLE:			
		BAJ				15/08/18		<h1>CONTROL BOX BASE</h1>			
CHK'D								DWG NO. <span style="font-size: 2em;">024</span> <span style="float: right;">A4</span>			
APPV'D											
MFG								MATERIAL: <span style="font-size: 1.5em;">MDF</span>			
Q.A											
								WEIGHT: N/A <span style="float: right;">SCALE - 1:3</span> <span style="float: right;">SHEET 1 OF 1</span>			

A

A

6 5 4 3 2 1