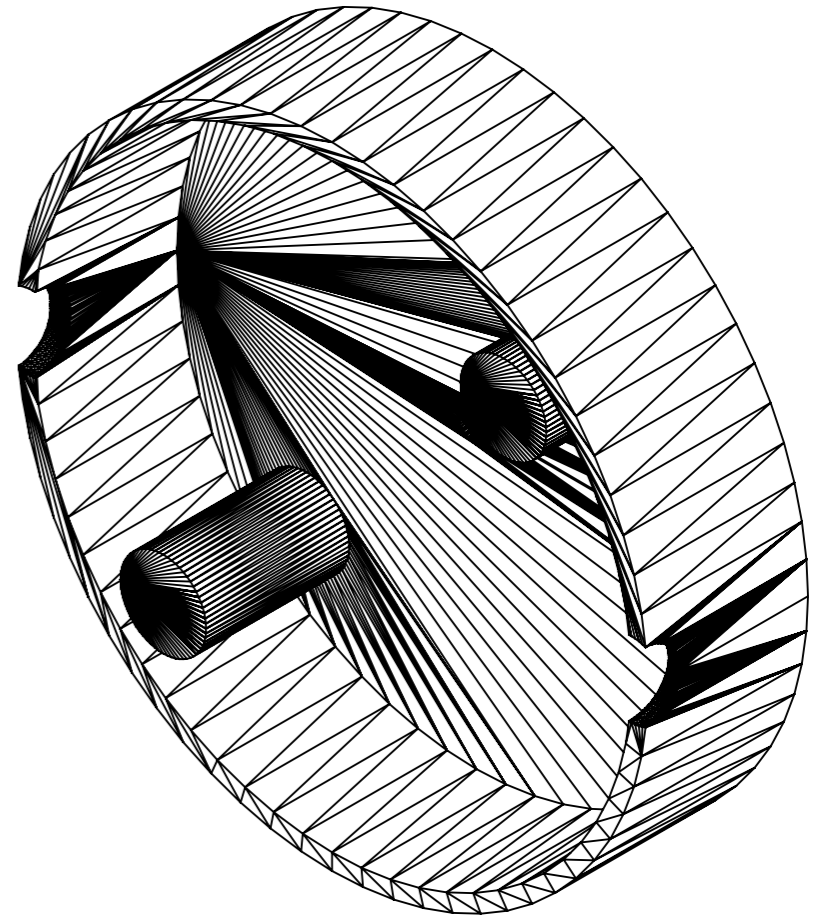
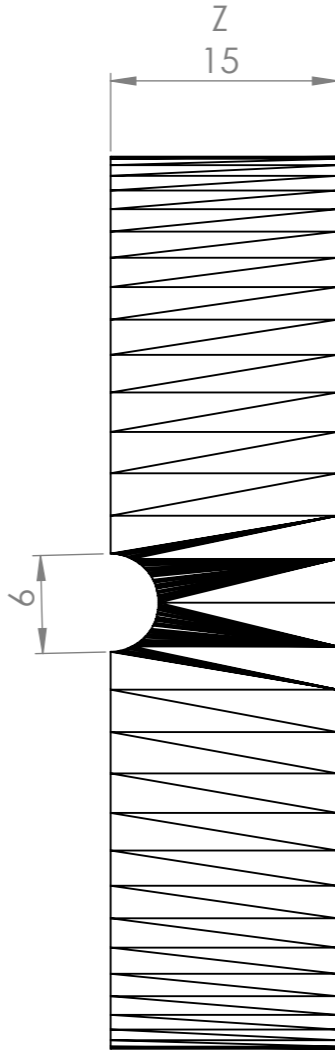


2
2 PLACES

8
2 PLACES

3



REVISION					
SYM	GRID SYSTEM	DESCRIPTION	DR	AP	DATE

UNLESS OTHERWISE SPECIFIED: DIMENSIONS ARE IN MILLIMETERS SURFACE FINISH: A-3 / 0.05Ra (µm) TOLERANCES: X.XX ±0.35 X.X ±0.75 X ±1.50 ANGULAR: ±0°30'			FINISH: MANUAL SANDING & DEBURRING		DEBURR AND BREAK SHARP EDGES	
	NAME	SIGNATURE	DATE			
DRAWN	BRYNMOR JOHN		11/04/19			
CHK'D						
APPV'D						
MFG						
Q.A						
				MATERIAL:	ABS	
				WEIGHT:	N/A	

DO NOT SCALE DRAWING

REVISION : A

3RD ANGLE PROJ.

FIELD READY

TITLE:
**CABLE
ENCLOSURE BODY**

DWG NO. **GN010**

A3

SCALE: 1:1

SHEET 1 OF 1