

# 2-3" MZ SECONDARY SHUTOFFS



SECONDARY SHUTOFFS



- 2" OR 3" SIZE FITTINGS
- CONSTRUCTED OF HEAVY DUTY NYLON PLASTIC
- EQUIPPED WITH A 3/4" BALL VALVE DRAIN
- BOWL MANUFACTURED FROM CLEAR MACKROLON MATERIAL

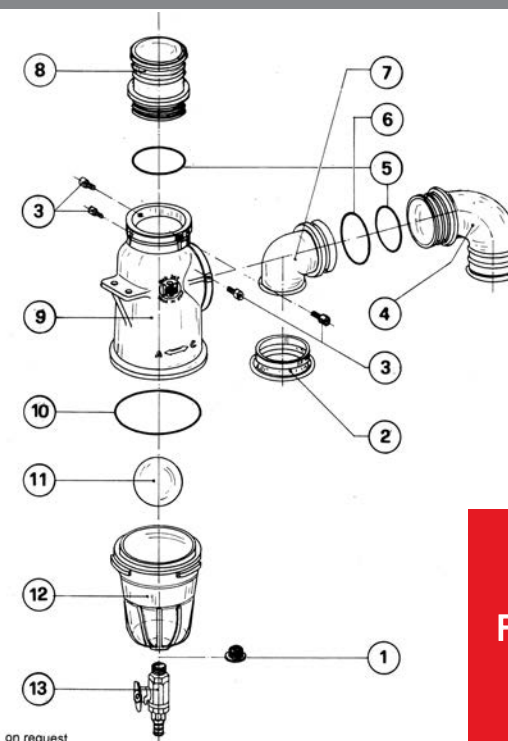
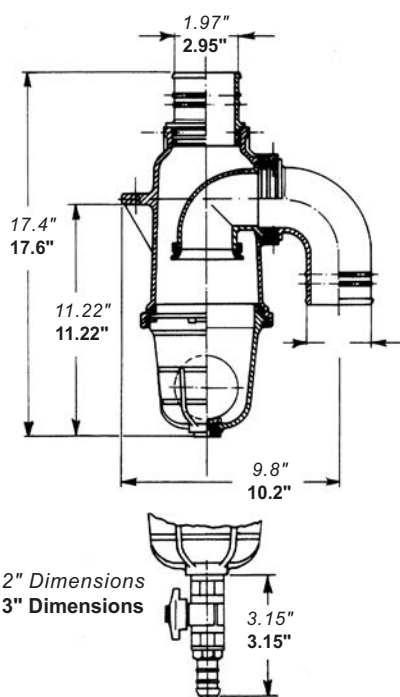
PART#	DESCRIPTION	L x W x H
1147-0000 MZ	2" PLASTIC SECONDARY SHUTOFF, (247 CFM)	10.5x6.5x20.5
1148-0000 MZ	3" PLASTIC SECONDARY SHUTOFF, (353 CFM)	11.5 x 6.5 x 21

## 2" SECONDARY SHUTOFF

## 3" SECONDARY SHUTOFF

#	PART#	DESCRIPTION
REPLACEMENT PARTS		
1	1148-0001 MZ	3/4" PLASTIC COVER
2	1147-0002 MZ	2" BRIMMED SEAT
3	1046-0006 MZ	SCREW 8X16
4	1147-0004 MZ	2" CURVED CONNECTION
5	1148-0005 MZ	O-RING FOR CONNECTION
6	1148-0006 MZ	O-RING FOR INNER CURVE
7	1147-0007 MZ	2" INNER CURVE
8	1147-0008 MZ	2" STRAIGHT CONNECTION
9	1148-0009 MZ	BODY FOR 2" & 3" MZ SECONDARY
10	1148-0010 MZ	O-RING FOR BOTTOM BOWL 2" & 3"
11	1147-0011 MZ	2" BALL FOR SECONDARY
12	1148-0012 MZ	MACKROLON BOWL FOR 2" & 3" SECONDARY
13	1148-0013 MZ	3/4" DRAIN VALVE FOR 2" & 3" SECONDARY

#	PART#	DESCRIPTION
REPLACEMENT PARTS		
1	1148-0001 MZ	3/4" PLASTIC COVER
2	1148-0002 MZ	3" BRIMMED SEAT
3	1046-0006 MZ	SCREW 8X16
4	1148-0004 MZ	3" CURVED CONNECTION
5	1148-0005 MZ	O-RING FOR CONNECTION
6	1148-0006 MZ	O-RING FOR INNER CURVE
7	1148-0007 MZ	3" INNER CURVE
8	1148-0008 MZ	3" STRAIGHT CONNECTION
9	1148-0009 MZ	BODY FOR 2" & 3" MZ SECONDARY
10	1148-0010 MZ	O-RING FOR BOTTOM BOWL 2" & 3"
11	1148-0011 MZ	3" BALL FOR SECONDARY
12	1148-0012 MZ	MACKROLON BOWL FOR 2" & 3" SECONDARY
13	1148-0013 MZ	3/4" DRAIN VALVE FOR 2" & 3" SECONDARY



SEE LIST OF  
OPTIONAL  
FITTINGS ON  
PAGES  
51, 55 & 62