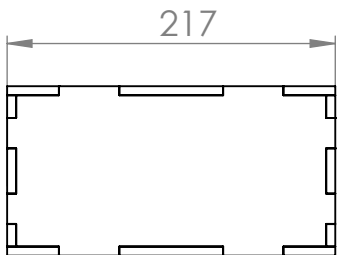
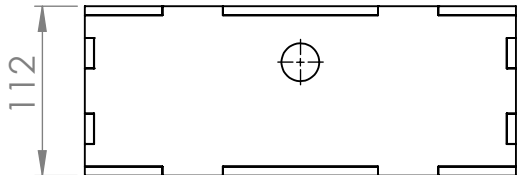
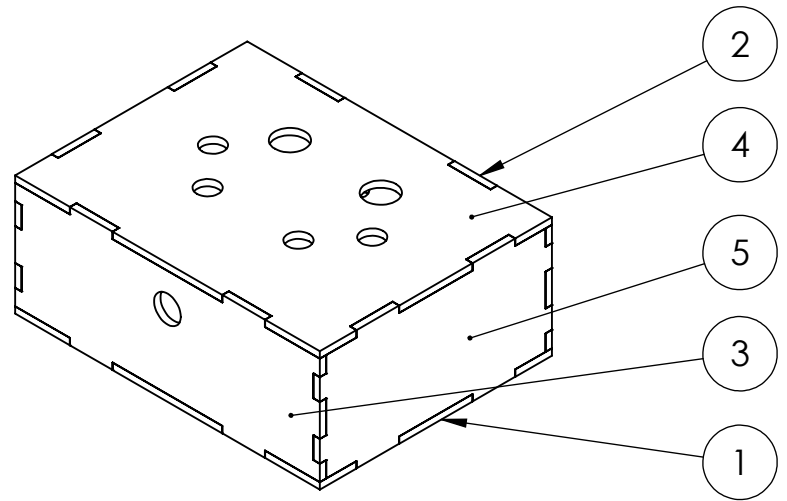
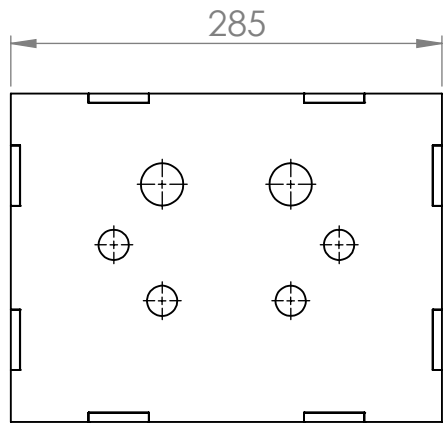


6 5 4 3 2 1


D  
C  
B  
A

D  
C  
B  
A



ITEM NO.	PART NUMBER	DWG NO.	QTY.
1	CONTROL BOX BASE	024	1
2	CONTROL BOX REAR	022	1
3	CONTROL BOX FRONT	021	1
4	CONTROL BOX TOP	023	1
5	CONTROL BOX SIDES	025	2

Tolerance class		Division of basic dimension							
Designation	Description	0.5 to up to 3	Over 3 up to 6	Over 6 up to 30	Over 30 up to 120	Over 120 up to 400	Over 400 up to 1000	Over 1000 up to 2000	Over 2000 up to 4000
		Permissible deviations							
f	fine	0.05	0.05	0.1	0.15	0.2	0.3	0.5	-
m	medium	0.1	0.1	0.2	0.3	0.5	0.8	1.2	2
c	coarse	0.2	0.3	0.5	0.8	1.2	2	3	4
v	very coarse	-	0.5	1	1.5	2.5	4	6	8



FINISH: N/A

N/A

DO NOT SCALE DRAWING

REVISION : A

UNLESS OTHERWISE SPECIFIED:  
DIMENSIONS ARE IN MILLIMETERS  
TOLERANCE CLASS: M (PLEASE SEE TOLERANCE TABLE)

NAME	SIGNATURE	DATE	TITLE:
DRAWN: BAJ		15/08/18	<h1>CONTROL BOX EXT ASSEMBLY</h1>
CHK'D:			
APPV'D:			
MFG:			
Q.A:			

MATERIAL: MDF (6MM)

WEIGHT: N/A

DWG NO. 026

SCALE - 1:5

A4

SHEET 1 OF 1

6 5 4 3 2 1

A

A