

8 7 6 5 4 3 2 1

F

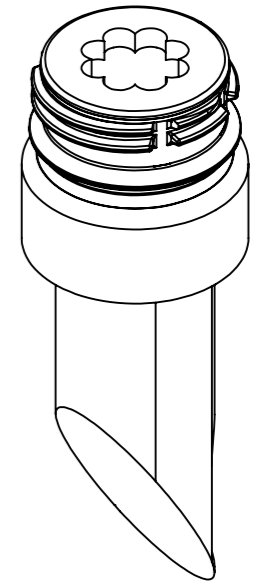
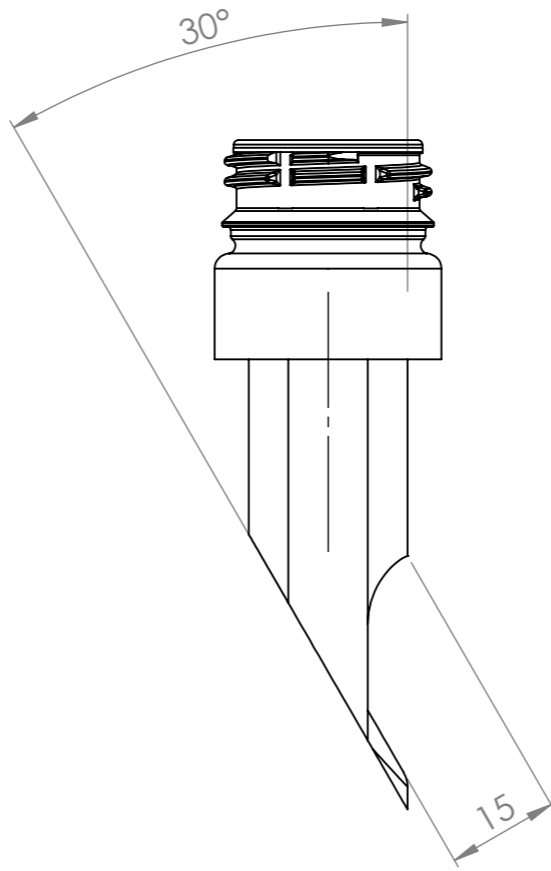
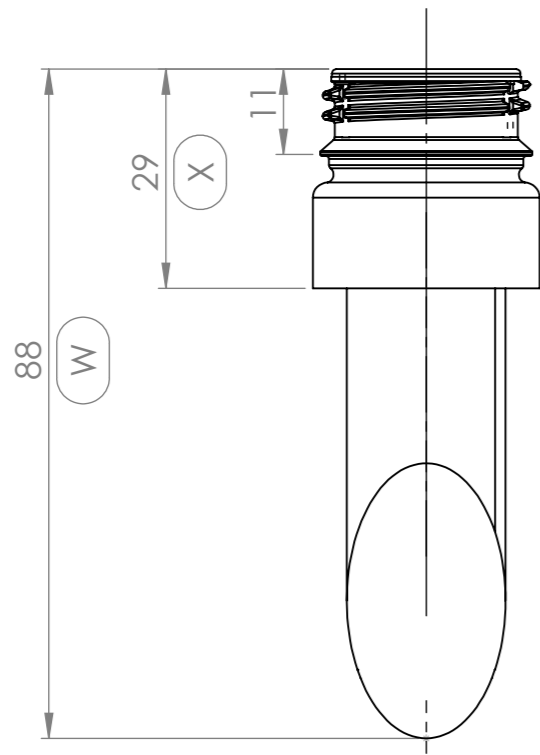
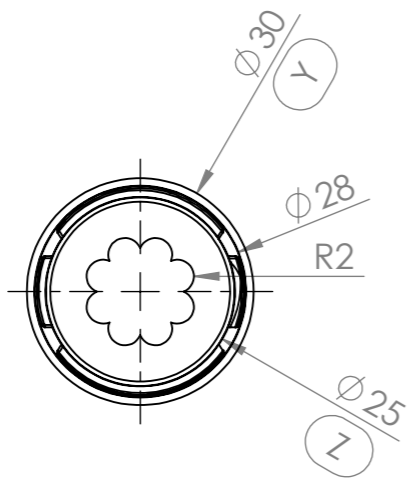
E

D

C

B

A



| REVISION |             |             |      |      |
|----------|-------------|-------------|------|------|
| SYM      | GRID SYSTEM | DESCRIPTION | DRAP | DATE |
|          |             |             |      |      |
|          |             |             |      |      |
|          |             |             |      |      |
|          |             |             |      |      |
|          |             |             |      |      |
|          |             |             |      |      |
|          |             |             |      |      |

|  |           |  |                                    |
|--|-----------|--|------------------------------------|
| UNLESS OTHERWISE SPECIFIED:<br>DIMENSIONS ARE IN MILLIMETERS<br>SURFACE FINISH: A-3 / 0.05Ra (µm)<br>TOLERANCES: X.XX ±0.35<br>X.X ±0.75 X, ±1.50<br>ANGULAR: ±0°30' |           | FINISH:<br><b>MANUAL SANDING &amp;<br/>DEBURRING</b> | DEBURR AND<br>BREAK SHARP<br>EDGES |
| NAME   | SIGNATURE | DATE   |                                    |
| DRAWN BRYNMOR JOHN   |           | 03/04/19   |                                    |
| CHK'D  |           |  |                                    |
| APPV'D   |           |  |                                    |
| MFG  |           |  |                                    |
| Q.A  |           |  |                                    |
|  |           | MATERIAL:  | ABS                                |
|  |           | WEIGHT: N/A  |                                    |

DO NOT SCALE DRAWING      REVISION : A

3RD ANGLE PROJ.

TITLE:  
**SHARPS BOTTLE  
CAP**

DWG NO. **HL027**      A3

SCALE:1:1      SHEET 1 OF 1

8 7 6 5 4 3 2 1