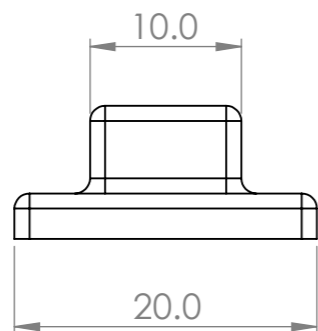
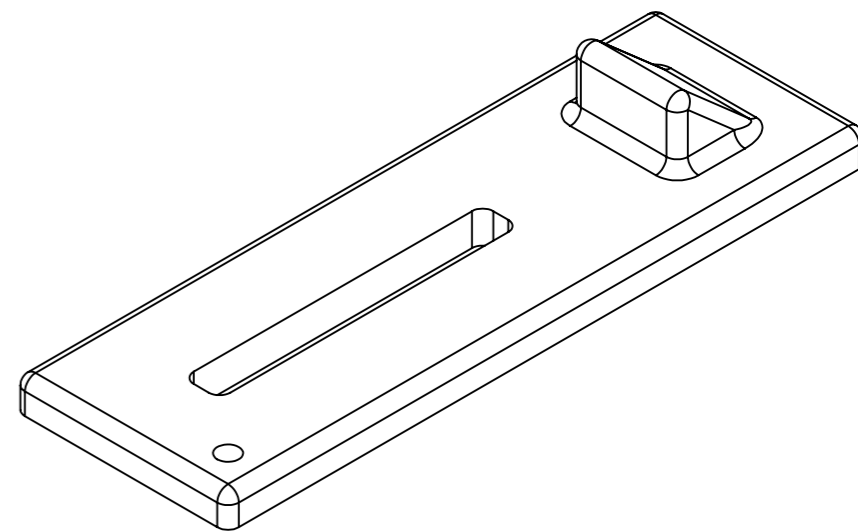
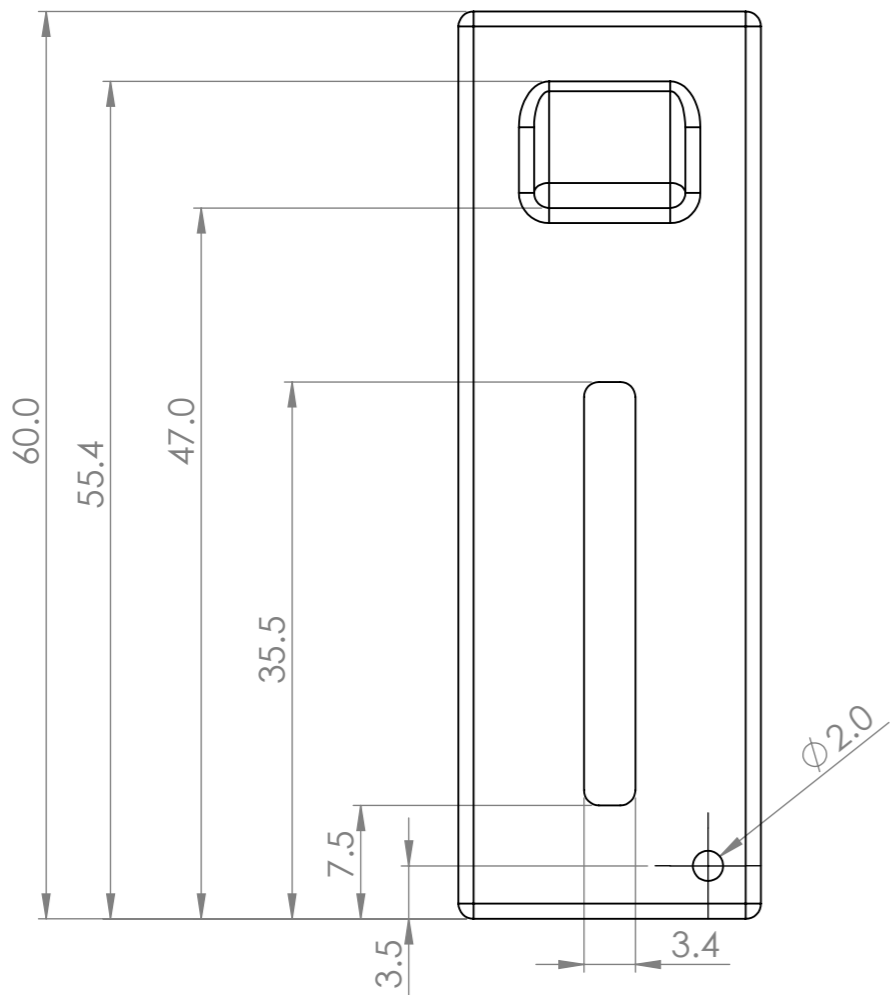


8 7 6 5 4 3 2 1

F
E
D
C
B
A



REVISION				
SYM	GRID SYSTEM	DESCRIPTION	DRAP	DATE

UNLESS OTHERWISE SPECIFIED: DIMENSIONS ARE IN MILLIMETERS SURFACE FINISH: A-3 / 0.05Ra (µm) TOLERANCES: X.XX ±0.35 X.X ±0.75 X, ±1.50 ANGULAR: ±0°30'			FINISH: MANUAL SANDING & DEBURRING		DEBURR AND BREAK SHARP EDGES	
NAME	SIGNATURE	DATE				
DRAWN BRYNMOR JOHN		16/04/19				
CHK'D						
APPV'D						
MFG						
Q.A			MATERIAL: ABS			
			WEIGHT: N/A			

DO NOT SCALE DRAWING REVISION : A

3RD ANGLE PROJ.

TITLE:
**DOOR LOCK
BODY**

DWG NO. **PR001** A3

SCALE: 2:1 SHEET 1 OF 1

8 7 6 5 4 3 2 1