

21" MANWAY (6 WING NUT)

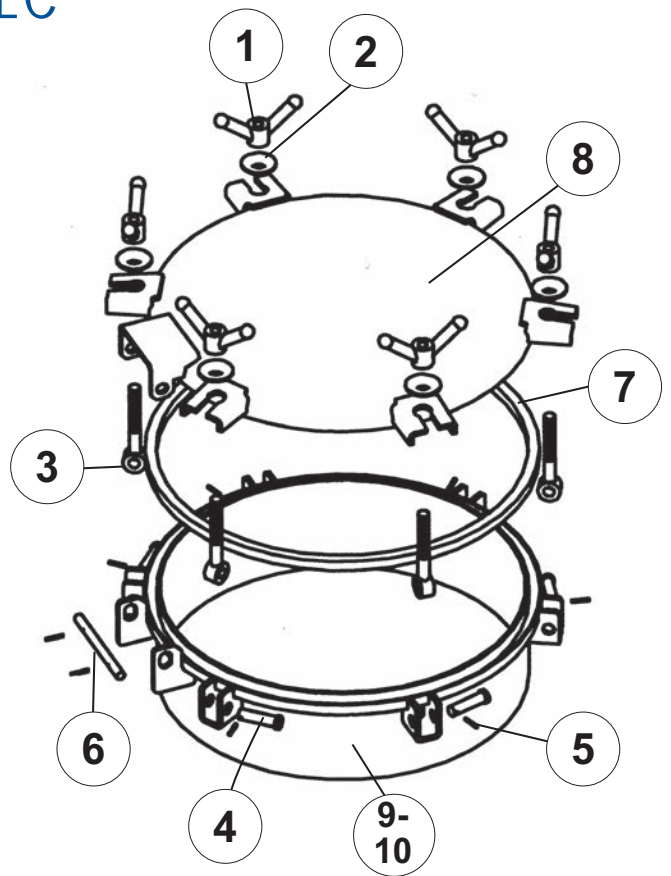


- GASKET IN THE NECK DESIGN
- STANDARD NECK LENGTHS OF 6 OR 12 INCHES
- 1/4" STEEL CONSTRUCTION
- WELDABLE BASE IS 21.25" O.D.

PART#	DESCRIPTION	L x W x H	WEIGHT
1010-0020	21" MANWAY WITH 6" X 1/4" NECK, 6 WING NUT LID	27x27x10.5	95LBS
1010-0021	21" MANWAY WITH 12" X 1/4" NECK, 6 WING NUT LID	27x27x16.5	113LBS

21" MANWAY (6 WING NUT) SPEC

#	PART#	DESCRIPTION
REPLACEMENT PARTS		
1	1010-0001	5/8" ZINC PLATED WING NUT (.2LBS)
2	1010-0003	ZINC WASHER (.188LBS)
3	1021-0000-B	5/8" X 5" ZINC PLATED EYEBOLT (.80LBS)
4	1021-0000-P	ZINC PLATED CLEVIS PIN (.19LBS)
5	1021-0000-R	ZINC PLATED ROLL PIN (.06LBS)
6	1021-0000-HP	HINGE PIN (.44LBS)
7	1010-0009	GASKET FOR 21" MANWAY
8	1010-0200	21" MANWAY LID ASSEMBLY
9	1010-0207	21" MANWAY BASE ASSY W/6" X 1/4" NECK
10	1010-0213	21" MANWAY BASE ASSY W/12" X 1/4" NECK



*SEE LIST OF OPTIONAL FITTINGS ON PGS 31, 38, & 51