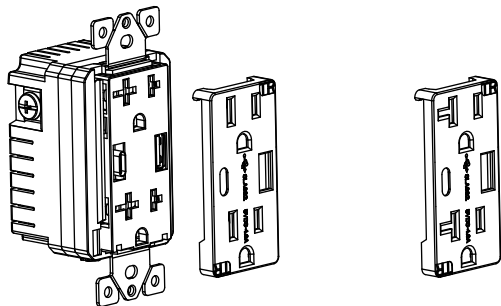


INSTALLATION INSTRUCTIONS



61501/62001-TR2USB-1A1C

Ultra High Speed Dual USB Charger with 15A/20A Duplex Tamper Resistant Receptacle Interchangeable Face Cover



61501-TR2USB-1A1C (15Amp)

62001-TR2USB-1A1C (20Amp)

SPECIFICATIONS

Receptacle Rating.....	15 Amp, 125VAC
USB Rating.....	Two USB ports: Type A USB Port 5V/2.4A Type C USB port 5V/3A
Wire Terminals.....	#14-#12 AWG
Operating Temperature.....	-4 to 140°F (-20 to 60°C)
USB Compatibility.....	USB 1.1/2.0/3.0 devices, including Apple products
Receptacle dimension	3-3/4"×2-1/4"×3-3/16"

DESCRIPTION

The 61501/62001-TR2USB-1A1C is the industry's first interchangeable face, dual USB charger with type A and type C ports and Duplex Tamper Resistant receptacle. Dual USB ports let you charge any USB-C or USB-A device simultaneously. Special reversible USB C port enables you to plug in your charging cable, even in the dark, without having to figure out which side is correct. With up to 100 watts, or 3 amps of power, USB-C can power almost anything. You can plug in type C enabled laptops, high-resolution type C enabled monitors, some printers depending on the type C USB certified cables and other compatible devices.

FEATURES

- Industry's first USB type A and C charger combination
- USB type C is reversible; there is no up or down orientation, just plug it in
- Charges most USB compatible electrical devices directly without an adapter.
- 2011 NEC Code compliant Tamper-Resistant Shutters
- Replaces standard duplex receptacles
- Interchangeable Face Cover
- Wire terminals are designed for easy installation from the back or side

WARNING

Turn the POWER OFF at the circuit breaker before installing the receptacle.

Read and understand these instructions before installing. This device is intended for installation in accordance with the National Electric Code and local regulations. It is recommended that a qualified electrician performs this installation. Make sure to turn off the circuit breaker or fuse(s) and make sure power is off before wiring the device.

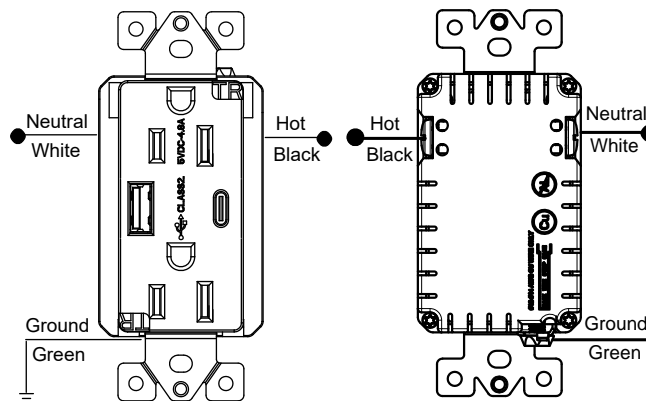
Use copper wire only.

This USB receptacle CANNOT be used if the outlet you are replacing has the top and bottom outlets controlled by separate circuit breakers.

WIRING DIRECTIONS

There are two ways to wire the receptacle:

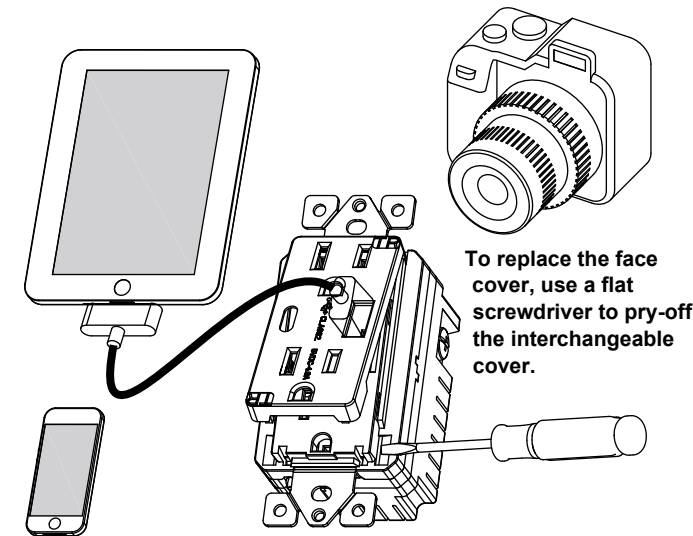
1. Loop wire around terminal screws and firmly tighten terminal screw.
2. Insert wire(s) through terminal holes in the back, then tighten terminal screws. Use this method when attaching 2 wires to same terminal.
 - Connect HOT wire to the HOT terminal (brass screw).
 - Connect NEUTRAL wire to the NEUTRAL terminal (silver screw).
 - Connect GREEN or BARE wire to the GROUND terminal (green screw).



COMPATIBILITY

This High Speed Dual USB Charger/Tamper-Resistant Receptacle is compatible with a wide range of electronic devices including, but not limited to, the following:

- iPad®Pro
- iPad®Air
- iPad® Mini
- iPod®
- iPhone® 6/ 6 Plus
- Tablets
- Mobile Phones
- Bluetooth™ Headsets
- Digital Cameras
- HTC One X9™
- HTC One S9™
- Nexus 6P
- Lenovo ZUK Z1
- Samsung Galaxy S4™
- Samsung Galaxy Note 3™
- Samsung Galaxy J7™
- Nook e-reader
- GPS Devices
- Other Smart Phones and USB Compatible products



To replace the face cover, use a flat screwdriver to pry off the interchangeable cover.

WARRANTY INFORMATION

This device is warranted to be free of material and workmanship defects for 2 years from the date of purchase. Original receipt or proof of purchase from an authorized retailer must be presented upon warranty claim. ALL claims must be verified and approved by Enerlites, Inc. Warranties from other Enerlites products may vary. This warranty is nontransferable and does not cover normal wear and tear or any malfunction, failure, or defect resulting from misuse, abuse, neglect, alteration, modification, or improper installation. To the fullest extent permitted by the applicable state law, Enerlites shall not be liable to the purchaser or end user customer of Enerlites products for direct, indirect, incidental, or consequential damages even if Enerlites has been advised of the possibility of such damages. Enerlites' total liability under this or any other warranty, express or implied, is limited to repair, replacement or refund. Repair, replacement or refund are the sole and exclusive remedies for breach of warranty or any other legal theory.