

6

5

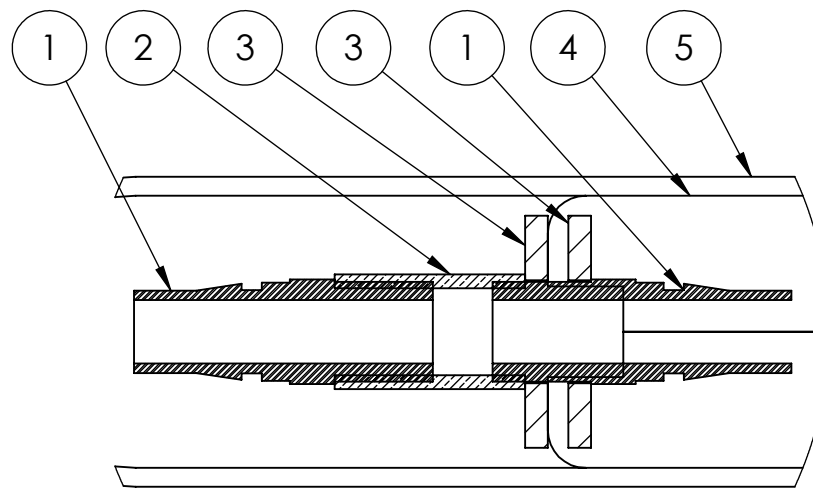
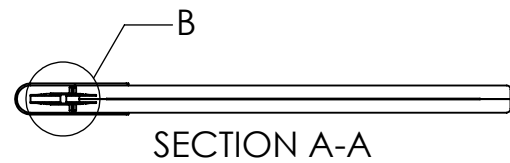
4

3

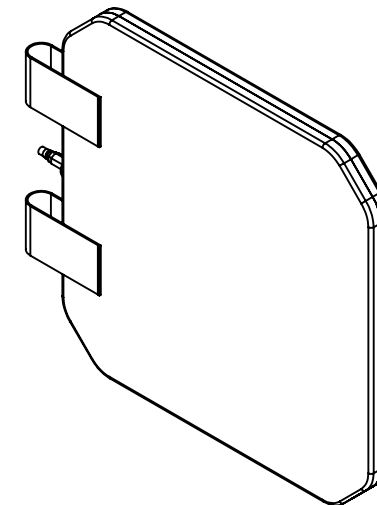
2

1

D

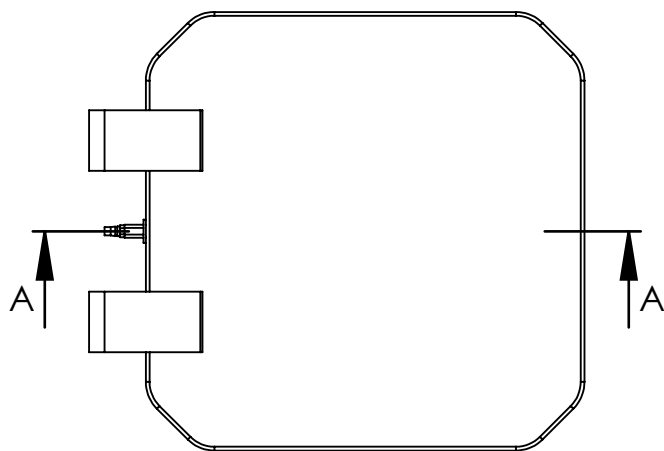


DETAIL B
SCALE 1 : 1



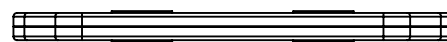
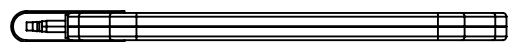
D

C



C

B



B

ITEM NO.	PART NAME	DWG NO.	QTY.
1	MALE CONNECTOR	011	2
2	HEX CONNECTOR	010	1
3	M12 WASHER	015	2
4	AIRBAG	001	1
5	PROTECTIVE BAG HANDLE	003	2

B



FIELD READY

FINISH:

N/A

N/A

DO NOT SCALE DRAWING

REVISION : A

UNLESS OTHERWISE SPECIFIED:
DIMENSIONS ARE IN MILLIMETERS
TOLERANCE CLASS: M (PLEASE SEE TOLERANCE TABLE)

Tolerance class		Division of basic dimension							
Designation	Description	0.5 to	Over 0.5	Over 3	Over 6	Over 30	Over 120	Over 400	Over 1000
		up to 3	up to 6	up to 30	to 120	to 400	to 1000	to 2000	4000
Permissible deviations									
f	fine	0.05	0.05	0.1	0.15	0.2	0.3	0.5	0.5
m	medium	0.1	0.1	0.2	0.3	0.5	0.5	1.2	2
c	coarse	0.2	0.3	0.5	0.8	1.2	2	3	4
v	very coarse	-	0.5	1	1.5	2.5	4	6	8

NAME	SIGNATURE	DATE	TITLE:	
BAJ		20/08/18	AIRBAG ASSEMBLY	
CHK'D				
APPV'D				
MFG				
Q.A			MATERIAL:	DWG NO.
			MIXED	029
			WEIGHT: N/A	SCALE - 1:10
				SHEET 1 OF 1

B

A

6

5

4

3

2

1