

6

5

4

3

2

1

D

D

C

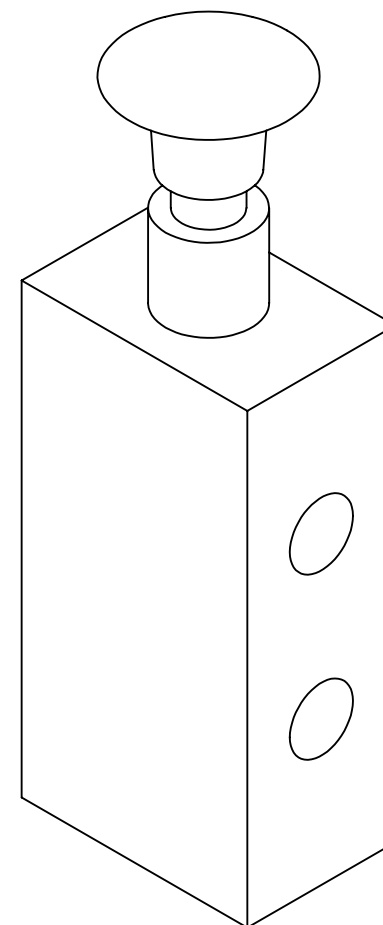
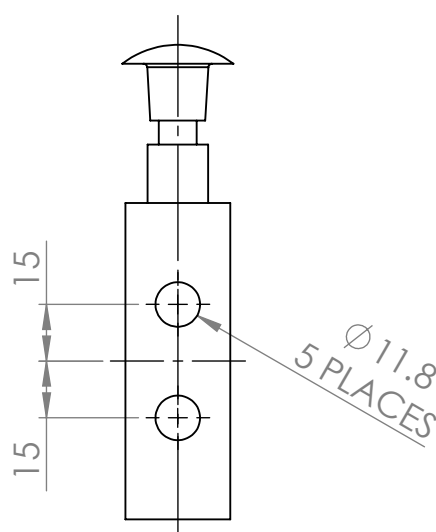
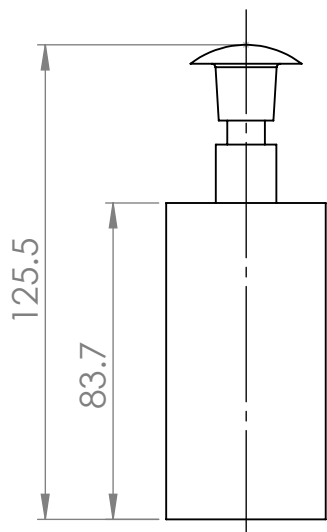
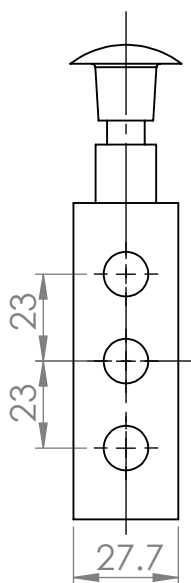
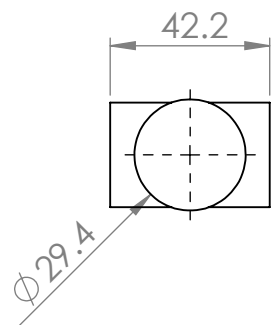
C

B


B

A

A



Tolerance class		Division of basic dimension							
Designation	Description	0.05 to	0.05 to	0.05 to	0.05 to	0.05 to	0.05 to	0.05 to	0.05 to
		up to 3	up to 6	up to 30	up to 120	up to 400	up to 1000	up to 2000	up to 4000
Permissible deviations									
f	fine	0.05	0.05	0.1	0.15	0.2	0.3	0.5	-
m	medium	0.1	0.1	0.2	0.3	0.5	0.8	1.2	2
c	coarse	0.2	0.3	0.5	0.8	1.2	2	3	4
v	very coarse	-	0.5	1	1.5	2.5	4	6	8

		FINISH:		N/A		N/A		DO NOT SCALE DRAWING		REVISION : A	
		UNLESS OTHERWISE SPECIFIED: DIMENSIONS ARE IN MILLIMETERS TOLERANCE CLASS: M (PLEASE SEE TOLERANCE TABLE)									
DRAWN		NAME		SIGNATURE		DATE		TITLE:			
		BAJ				15/08/18		PUSH PULL VALVE			
CHK'D											
APPV'D											
MFG											
Q.A								MATERIAL:		DWG NO.	
								MIXED		017	
								WEIGHT: N/A		SCALE - 1:2	
										SHEET 1 OF 1	
										A4	

6

5

4

3

2

1