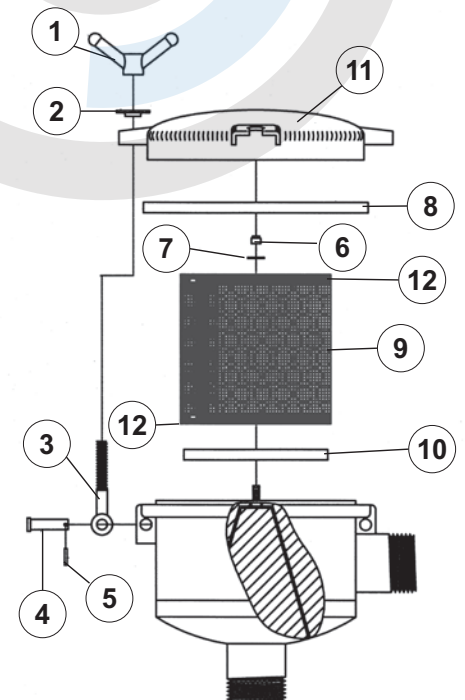
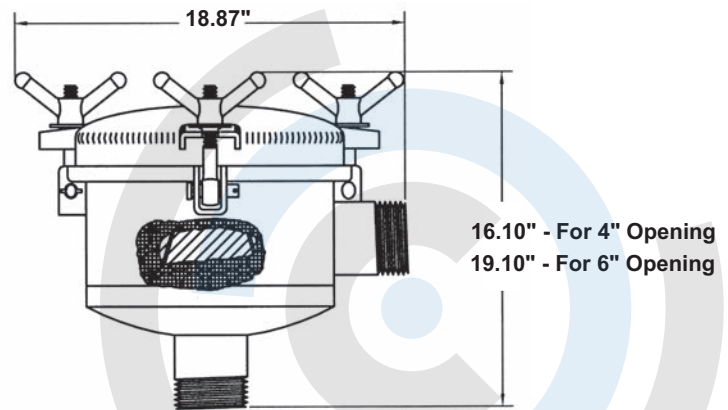


# FINAL FILTERS

FINAL FILTERS

PART#	DESCRIPTION	L x W x H	WEIGHT
1007-0005	FINAL FILTER WITH 4" OPENINGS, (700 CFM)	19 x 19 x 19	50LBS
1007-0004	FINAL FILTER WITH 4" THREADED NIPPLES, (700 CFM)	19 x 19 x 16	55LBS
1007-0008	FINAL FILTER WITH 6" OPENINGS, (700 CFM)	19 x 19 x 16	50LBS
1007-0007	FINAL FILTER WITH 6" THREADED NIPPLES, (700 CFM)	19 x 19 x 19	58LBS

Type your text  
**• STAINLESS STEEL WIRE MESH**  
**STOPS PARTICLES DOWN TO .020"**



#	PART#	DESCRIPTION
REPLACEMENT PARTS		
1	1010-0001	5/8" ZINC PLATED WING NUT (2LBS)
2	1010-0003	ZINC WASHER (.188LBS)
3	1021-0000-B	5/8" X 5" ZINC PLATED EYEBOLT (.80LBS)
4	1021-0000-P	ZINC PLATED CLEVIS PIN (.19LBS)
5	1021-0000-R	ZINC PLATED ROLL PIN (.06LBS)
6	1000-0102	3/8" LOCKNUT
7	1000-0110	3/8" FLAT WASHER
8	1019-0009	GASKET FOR FINAL FILTER
9	1007-0100	ELEMENT REPLACEMENT FOR FINAL FILTER (INCLUDES ELEMENT, SS SCREEN, CLAMPS, & GASKET)
10	1007-0050	GASKET FOR FILTER ELEMENT
11	1021-1200	12" LID ASSEMBLY
12	1007-0040	CLAMP FOR ELEMENT (REQUIRES 2)