

6 5 4 3 2 1

D

C

B

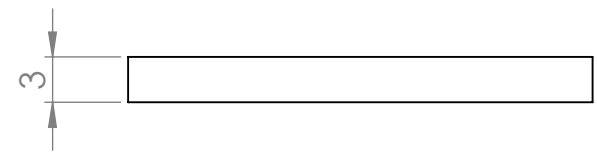
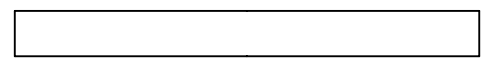
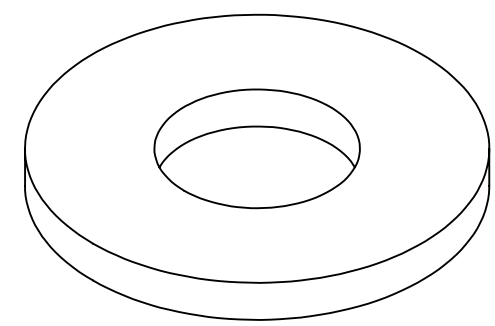
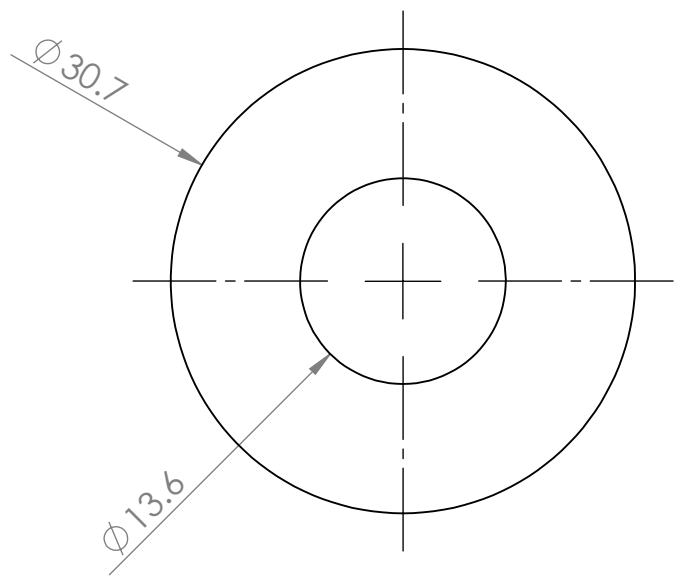
A

D


C

B

A



Tolerance class		Division of basic dimension							
Designation	Description	0.05 to	0.05 to	0.1 to	0.1 to	0.2 to	0.2 to	0.5 to	0.5 to
		up to 3	up to 6	up to 30	30 to 120	120 up to 400	400 up to 1000	1000 up to 2000	2000 up to 4000
Permissible deviations									
f	fine	0.05	0.05	0.1	0.15	0.2	0.3	0.5	0.5
m	medium	0.1	0.1	0.2	0.3	0.5	0.5	1.2	2
c	coarse	0.2	0.3	0.5	0.8	1.2	2	3	4
v	very coarse	-	0.5	1	1.5	2.5	4	6	8

		FINISH:		N/A		N/A		DO NOT SCALE DRAWING		REVISION : A	
		<small>UNLESS OTHERWISE SPECIFIED: DIMENSIONS ARE IN MILLIMETERS TOLERANCE CLASS: M (PLEASE SEE TOLERANCE TABLE)</small>									
DRAWN		NAME		SIGNATURE		DATE		TITLE:		M12 WASHER	
CHK'D		BAJ				15/08/18					
APPV'D											
MFG											
Q.A								MATERIAL:		DWG NO.	
								STEEL		015	
								WEIGHT: N/A		SCALE - 2:1	
										SHEET 1 OF 1	

6 5 4 3 2 1