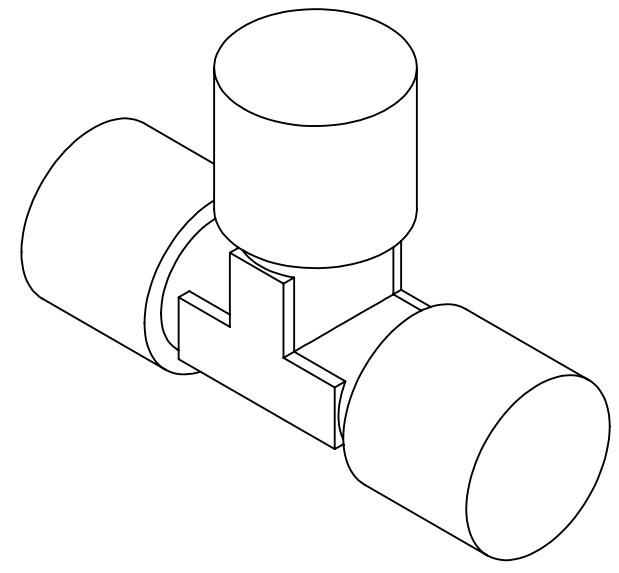
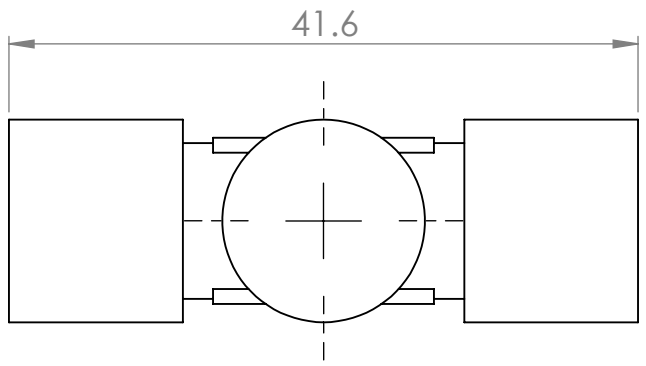


6 5 4 3 2 1

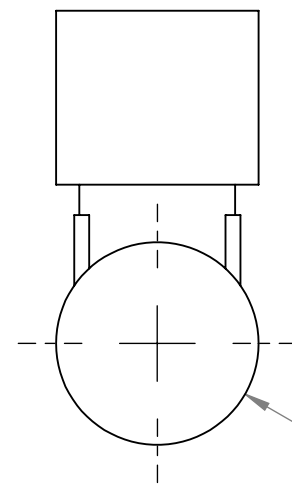
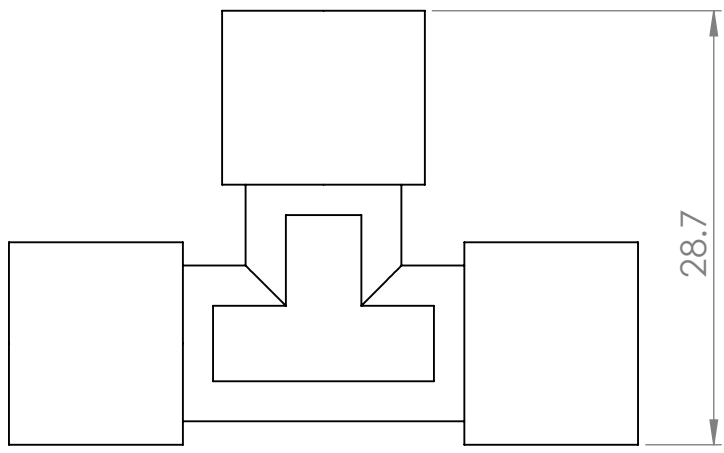
D

D



C

C




Ø 13.4  
3 PLACES

B

B

NOTE : 1/4" BSP TEE

Tolerance class		Division of basic dimension							
Designation	Description	0.5 to	0.5 to	0.5 to	0.5 to	0.5 to	0.5 to	0.5 to	0.5 to
		up to 3	up to 6	up to 30	up to 120	up to 400	up to 1000	up to 2000	up to 4000
Permissible deviations									
f	fine	0.05	0.05	0.1	0.15	0.2	0.3	0.5	0.5
m	medium	0.1	0.1	0.2	0.3	0.5	0.5	1.2	2
c	coarse	0.2	0.3	0.5	0.8	1.2	2	3	4
v	very coarse	-	0.5	1	1.5	2.5	4	6	8

		FINISH:		N/A		N/A		DO NOT SCALE DRAWING		REVISION : A	
		UNLESS OTHERWISE SPECIFIED: DIMENSIONS ARE IN MILLIMETERS TOLERANCE CLASS: M (PLEASE SEE TOLERANCE TABLE)									
DRAWN		NAME		SIGNATURE		DATE		TITLE:			
		BAJ				15/08/18		TEE			
CHK'D								DWG NO.			
APPV'D											
MFG								019			
Q.A											
						MATERIAL:		A4			
						BRASS					
						WEIGHT: N/A		SCALE - 2:1		SHEET 1 OF 1	

A

A

6 5 4 3 2 1