



ROTOBEC

TOUGH HANDLING EQUIPMENT

ELITE



WWW.ROTOBEC.COM

FORESTRY

SCRAP

WASTE

RAIL

LOADERS



ROTOBEC

TOUGH HANDLING EQUIPMENT

Elite Loader

We named this loader the Rotobec ELITE because it stands in a class of its own. It combines smoothness and precision along with high lift capacity. Its rotation movement is continuous and is packed with extra features and accessories. It is almost 20% lighter than the competition.

Features:

- ♦ Stabilizers with optional bolt-on cleats.
- ♦ Ergonomic operator station.
- ♦ Optional grapple saw hydraulic circuit.
- ♦ New electric collector.
- ♦ Optional guard on boom.
- ♦ Heated joysticks.
- ♦ Various boom lengths, including 3 telescopic booms to choose from.



FORESTRY

SCRAP

WASTE

RAIL

LOADERS



Technical Data

BOOMS

- Standard boom reach
22' (6.72 m)
- Main boom length:
148" (3759 mm)
- Stick boom length:
122" (3099 mm)
- Main boom structure:
rectangular 6" X 8"
(152 mm X 203 mm)
high tensile steel
- Stick boom structure:
rectangular 6" X 6"
(152 mm X 152 mm)
high tensile steel
- Booms designed for closer access
to the loader frame
- One 55 Watt halogen work light
on each side of the stick boom
- Boom pivot points:
2" (50.8 mm)
diameter induction
tempered and
chromed steel pins
mounted on bronze
bushings
- Complete main boom cycle:
8.4 sec. with 19.9 gpm
(75.3 lpm)
- Complete stick boom cycle:
6.8 sec. with 19.9 gpm
(75.3 lpm)

CYLINDERS

- Rotobec built hydraulic cylinders,
with bolt-on head, wear ring and
chrome plated tempered steel rod
- Main boom
bore 5" (127 mm)
rod 3" (76.2 mm)
- Stick boom:
bore 5" (127 mm)
rod 2.5" (63.5 mm)
- Stabilizers:
bore 3" (76.2 mm)
rod 1.75" (44.5 mm)

HYDRAULIC SYSTEM

- Precision of loader movement
provided by two monoblock control
valves including relief valves
- Swing controlled by pedal
- Booms and attachment controlled
by joysticks
- Requires a double pump (optional):
18.5 / 18.5 U.S. gallons / minute
(70 / 70 liters / minute)
at 1800 rpm with integrated
- 8 port hydraulic oil manifold
- Operating pressure 3000 psi
(207 bars)

SWING SYSTEM

- Powerful continuous 360° rotation
- 26.45" (673 mm) outside diameter
slewing ring
- Safety device locking the swing
for transit
- Rotation speed at 9.8 rpm
with 19.9 gpm (75.3 lpm)

STABILIZERS

- Independently controlled
telescopic stabilizers
- 9'6" (2896 mm) spread at grade
- 18" (457 mm) below grade reach

WEIGHT

- Approximate weight with standard
boom, excluding grapple and
options: 4940 lb (2240 kg)

RECOMMENDED GRAPPLES

- Grapple choice varies
on application

OPTIONS

- Boom reach
with M21 20'6" (6.25 m)
with M25 25' (7.62 m)
- Telescopic stick boom,
activated by electric switch
on joystick

With MT26

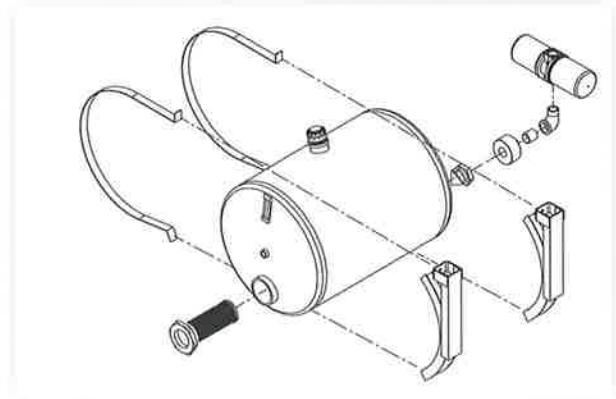
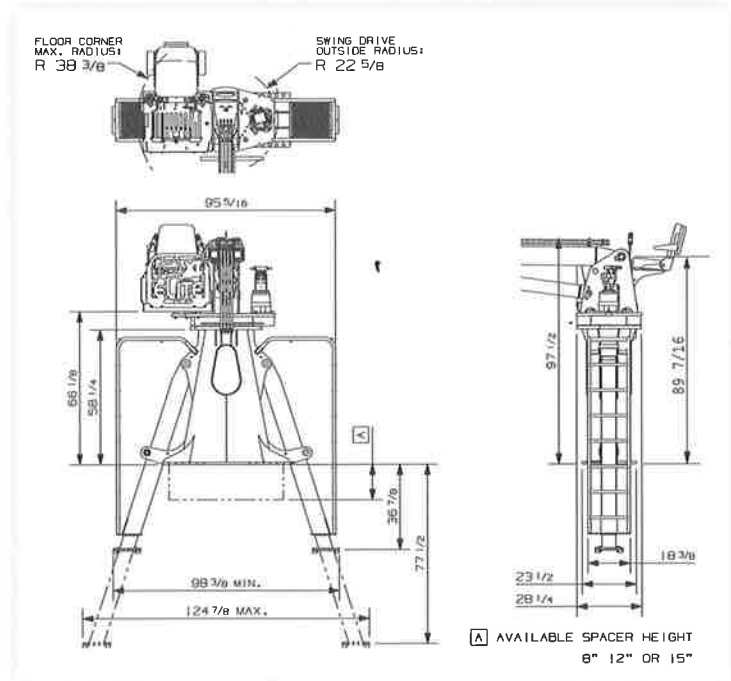
- Reach when extended:
25'6" (7.77 m)
- Reach when retracted:
22' (6.72 m)

With MT27

- Reach when extended:
27' (8.23 m)
- Reach when retracted:
23'6" (7.16 m)

- Double gear or vane pump
- Aluminum hydraulic oil tank
55 U.S. gallons (208 l) designed to
be installed on the side of the truck
frame, return lines with filters
and magnets
- Loader mounting kit including
spacer (if required)
- Installation kit
- Hydraulic oil cooler

We reserve the right to change specifications and improve our products without notice or obligation.



Oil tank

Optional 55 U.S. gallons (208 l) aluminium oil tank with return filters, strainer, magnet and mounting straps. The tank end wall is heavy duty to withstand the filter weight and vibration.

ELITE Loader with M21 boom

LIFT POINT HEIGHT (ft)	LIFT POINT RADIUS (ft)					
					At full reach	
	5	10	15	20	Reach (ft)	Load (lb)
30		*5830			11.1	*2910
25			*5340		16.4	*1960
20		6600	5510		19.2	*1670
15	*8760	7870	5820	*3640	20.4	*1560
10	*4550	8890	5950	*3770	20.4	*1570
5	*6550	8110	5200		19.2	*2210
0		4960			13.7	3290

ELITE Loader with MT26 boom

LIFT POINT HEIGHT (ft)	LIFT POINT RADIUS (ft)						
					At full reach		
	5	10	15	20	25	Reach (ft)	Load (lb)
30		6340	4490			13.7	*2180
25			4990	*3800		18.3	*1570
20			5080	*3750		20.8	*1340
15		7460	5440	4160	*2180	21.9	*1250
10	*3430	8490	5630	3910	*2280	22	*1260
5	*5200	7850	5090	2830		20.8	*1460
0		5190	3130	2820		16.6	2360

ELITE Loader with M22 boom

LIFT POINT HEIGHT (ft)	LIFT POINT RADIUS (ft)					
					At full reach	
	5	10	15	20	Reach (ft)	Load (lb)
30		*6520			13.7	*2330
25			5200		18.3	*1730
20		6350	5290	*3920	20.8	*1510
15	*7660	7690	5670	4390	21.9	*1420
10	*3580	8770	5890	4150	22	*1430
5	*5380	8160	5350	3070	20.8	*1640
0		5500	3390		16.3	2620

ELITE Loader with MT27 boom

LIFT POINT HEIGHT (ft)	LIFT POINT RADIUS (ft)						
					At full reach		
	5	10	15	20	25	Reach (ft)	Load (lb)
30			*4530	*2920		16.2	*1950
25			4790	*2590		20.2	*1510
20		6420	4990	4050	*2970	22.5	*1320
15	14530	7670	5360	4080	*3210	23.6	*1250
10	*1080	8330	5500	3920	*3040	23.6	*1250
5	*3560	7370	4950	3240	*2470	22.6	*1330
0	*5260	4880	3360	3050		18.9	1920
-5		3910	*2630				

ELITE Loader with M25 boom

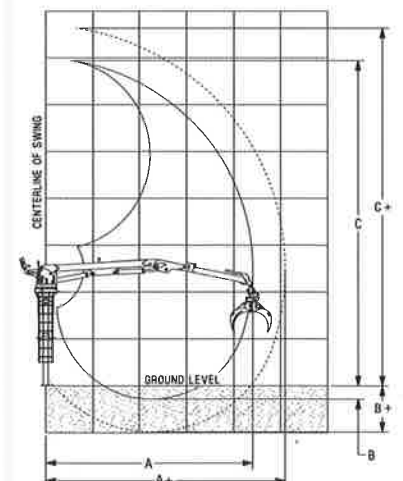
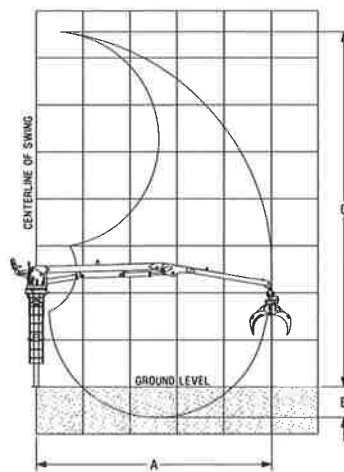
LIFT POINT HEIGHT (ft)	LIFT POINT RADIUS (ft)					
					At full reach	
	5	10	15	20	Reach (ft)	Load (lb)
30			4880		18.1	*1710
25			4710	4150	21.8	*1400
20			4960	4160	24	*1260
15	*7150	7480	5430	4260	25	*1200
10	*1970	8540	5730	4220	25	*1210
5	*3620	8070	5420	3760	24	*1270
0	*6030	6000	4150	2380	21	1900

MT29 Boom available, contact Rotobec for more details.

1. These charts are not stability charts
2. Lifting capacities shown must not be exceeded. Weight of the grapple and all lifting accessories must be deducted from the above lifting capacities
3. Capacities marked with an asterisk (*) are limited by stick boom's hydraulic capacities
4. Shaded areas are with telescoping boom section fully extended. Unshaded areas are without telescoping boom or with telescoping boom section fully retracted
5. Capacities apply only to the machine as originally manufactured and normally equipped by the manufacturer

WORK ENVELOPES - ELITE

	A	B	C	D	E
A	246"	264"	300"	264"	284"
A+				306"	326"
B	6"	17"	39"	17"	23"
B+				59"	65"
C	400"	418"	451"	418"	437"
C+				460"	479"



Contact Us

Rev.



Rotobec Inc.
 Head Office
 Tel: 418.383.3002
 Fax: 418.383.5334
 rotobec@rotobec.com

Rotobec West
 Western Canada and Western U.S.A.
 Tel: 250.765.1161
 Fax: 250.765.0035
 rotobec@rotobec.com

Rotobec USA Inc.
 Eastern and Central USA
 Tel: 603.444.2103
 Fax: 603.444.0327
 rotobec@rotobec.com